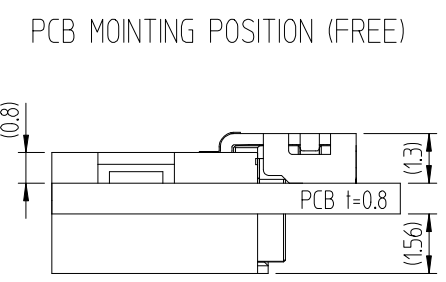
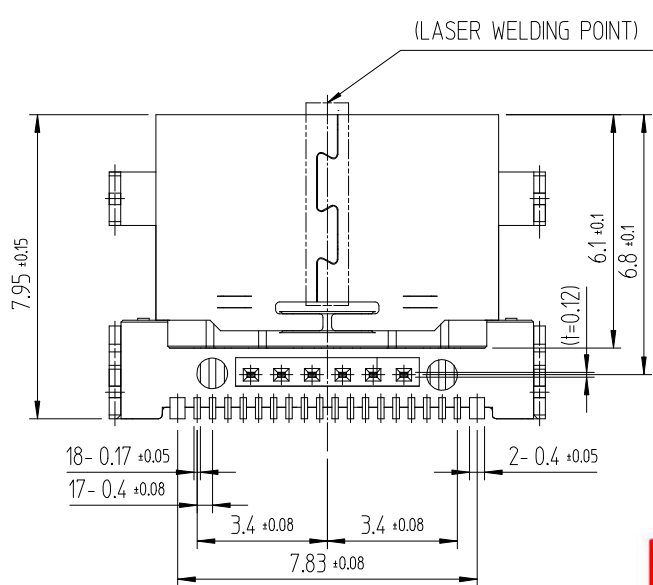
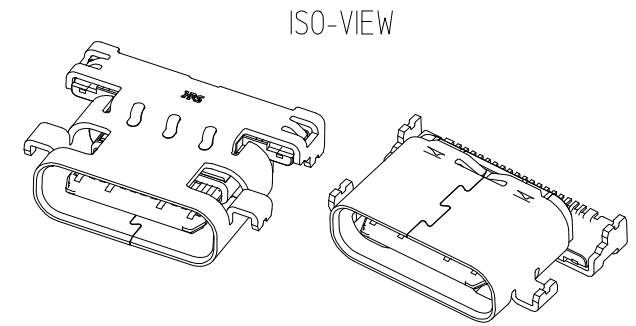
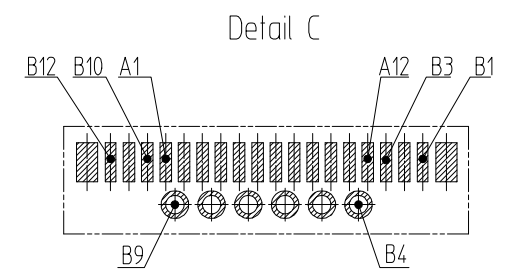
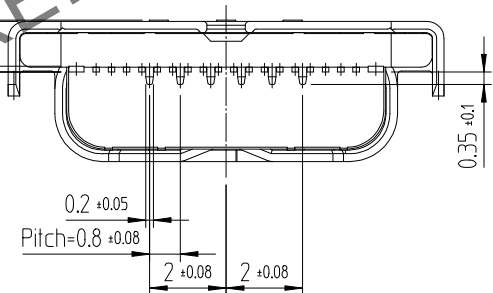
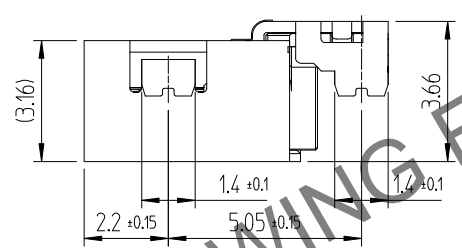
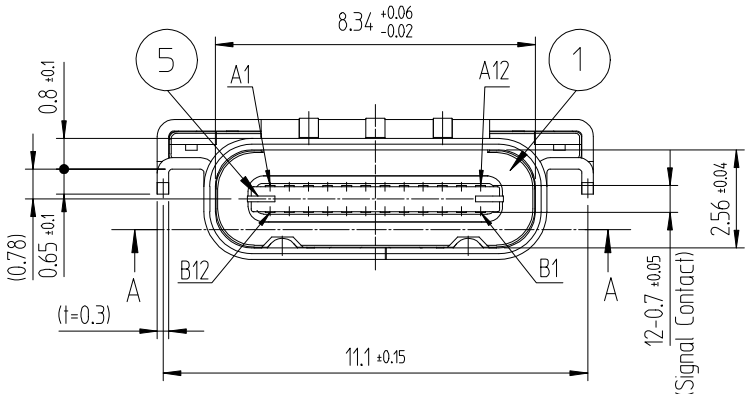
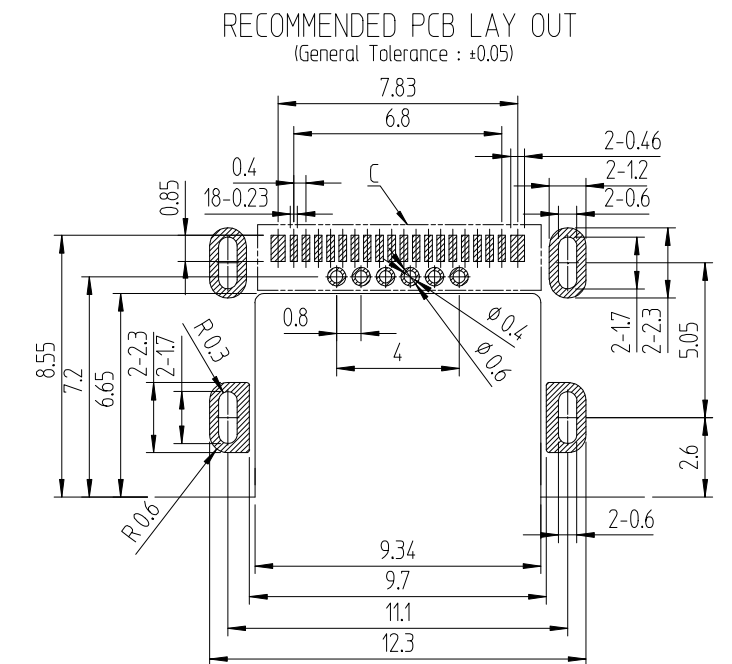
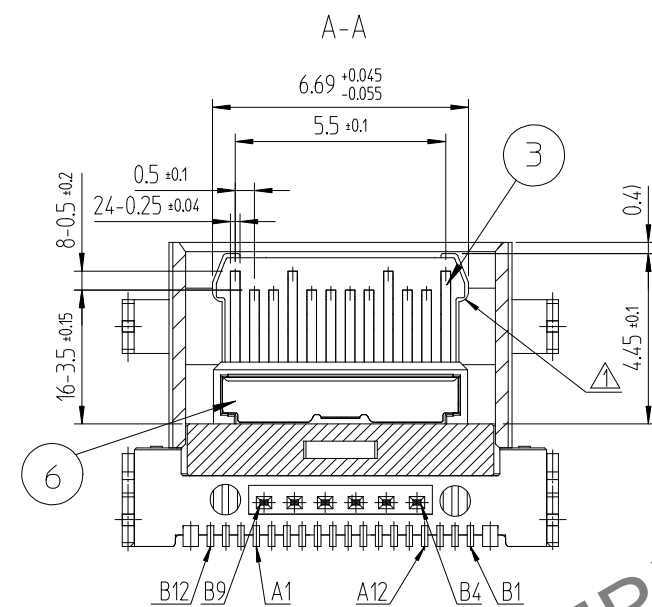
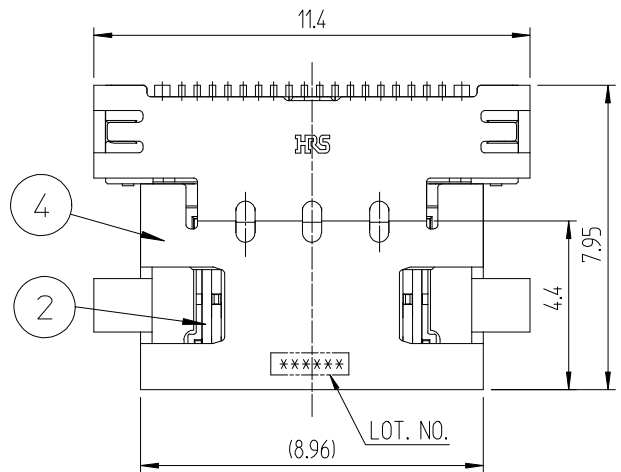


May.1.2024 Copyright 2024 HIROSE ELECTRIC CO., LTD. All Rights Reserved.
In case of consideration for using Automotive equipment / device which demand high reliability, kindly contact our sales window correspondents.

△數 COUNT	訂正事項 DISCRIPTION OF REVISIONS	擔當 B	檢圖 CHKD	年月日 DATE	△數 COUNT	訂正事項 DISCRIPTION OF REVISIONS	擔當 B	檢圖 CHKD	年月日 DATE
1	[RE-2-0831]	LCE	LHJ	15.12.10					



NOTE) 1. LEAD CO-PLANARITY SHALL BE 0.08MAX.
2. PER REEL : 1,500 CONNECTORS.
3. GENERAL TOLERANCE : ±0.15

4	STAINLESS STEEL	Ni1-5	8	PS	COVER TAPE
3	COPPER ALLOY	Contact : Ni1-5+Pd-Ni0.75Min+Au0.05Min Lead : Ni1-5+Au0.05Min	7	PS	EMBOSS CARRIER TAPE
2	COPPER ALLOY	Contact : Ni1-5+Pd-Ni0.75Min+Au0.05Min Lead : Ni1-5+Au0.05Min	6	STAINLESS STEEL	Ni1-5
1	LCP	UL94V-0,COLOR BLACK	5	STAINLESS STEEL	Other Ni1-5 / LEAD Ni1-5+Au 0.03Min
NO.	MATERIAL	FINISH,REMARKS	NO.	MATERIAL	FINISH,REMARKS

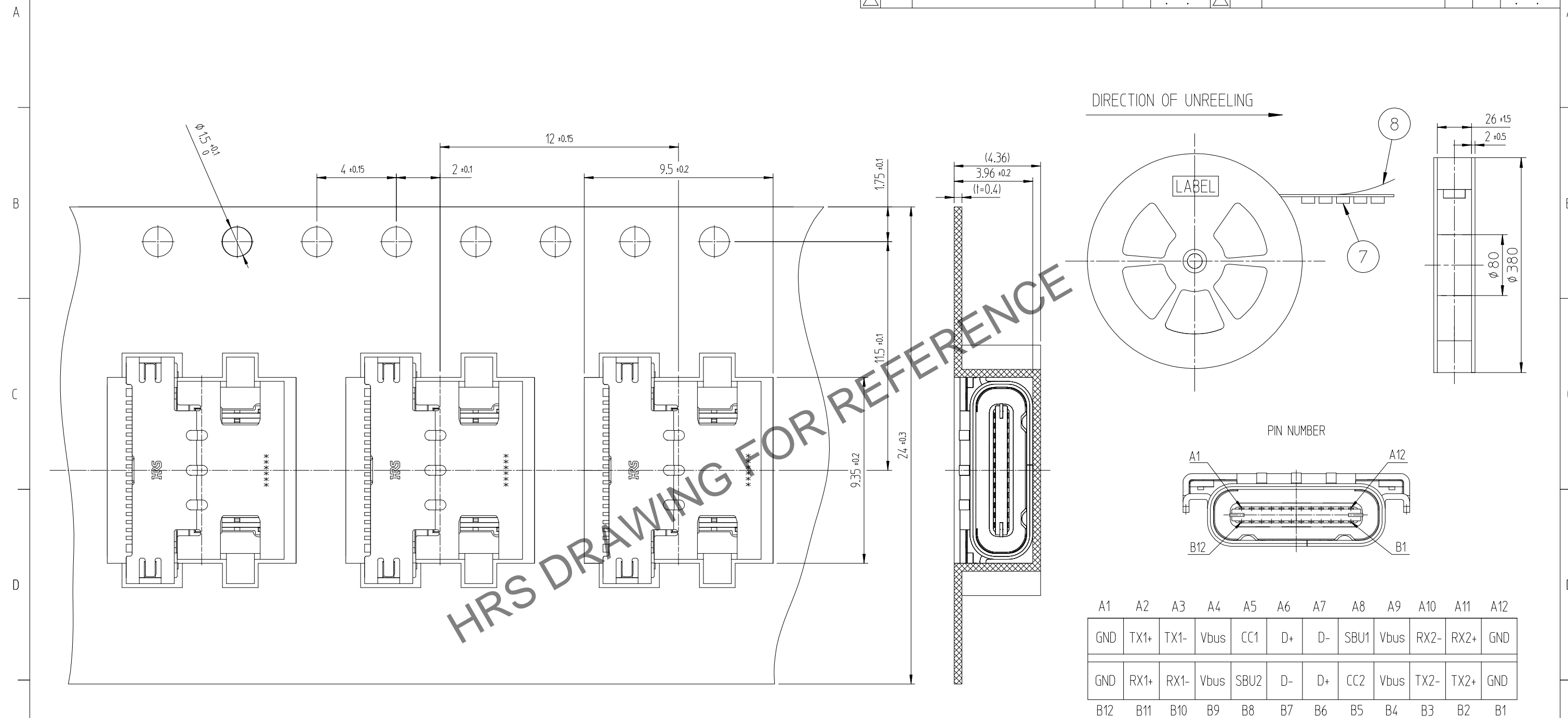
REMARK	DRAWN	DESIGNED	CHECKED	APPROVED	RELEASED
	C.E.LIM 15.09.04	C.E.LIM 15.09.04	H.J.LEE 15.09.04	T.S.KANG 15.09.04	ENG 15.12.11 DEPT

 SCALE 5:1 UNITS mm	DRAWING NO. EDC3-632081 HRS HIROSE KOREA CO.,LTD.	PART NO. CX70M-24P2 CODE NO CL 6240-0003-4	1/2
---------------------------------	--	---	-----

DRAWING FOR REFERENCE
This is subject to change without notice

May.1.2024 Copyright 2024 HIROSE ELECTRIC CO., LTD. All Rights Reserved.
In case of consideration for using Automotive equipment / device which demand high reliability, kindly contact our sales window correspondents.

△數 COUNT	訂正事項 DISCRIPTION OF REVISIONS	擔當 B	檢圖 CHKD	年月日 DATE	△數 COUNT	訂正事項 DISCRIPTION OF REVISIONS	擔當 B	檢圖 CHKD	年月日 DATE
△				. .	△				. .
△				. .	△				. .
△				. .	△				. .



DRAWING FOR REFERENCE
This is subject to change without notice

4	STAINLESS STEEL	Ni1-5	8	PS	COVER TAPE
3	COPPER ALLOY	Contact : Ni1-5+Pd-Ni0.75Min+Au0.05Min Lead : Ni1-5+Au0.05Min	7	PS	EMBOSS CARRIER TAPE
2	COPPER ALLOY	Contact : Ni1-5+Pd-Ni0.75Min+Au0.05Min Lead : Ni1-5+Au0.05Min	6	STAINLESS STEEL	Ni1-5
1	LCP	UL94V-0,COLOR BLACK	5	STAINLESS STEEL	Other Ni1-5 / LEAD Ni1-5+Au 0.03Min
NO.	MATERIAL	FINISH,REMARKS	NO.	MATERIAL	FINISH,REMARKS
REMARK			DRAWN	DESIGNED	CHECKED
EMBOSS CARRIER TAPE PACKAGING			C.E.LIM 15.09.04	C.E.LIM 15.09.04	H.J.LEE 15.09.04
			APPROVED	RELEASED	
			T.SKANG 15.09.04	<div style="border: 1px solid black; border-radius: 50%; padding: 5px; text-align: center;"> ENG 15.12.11 DEPT </div>	
DRAWING NO. EDC3-632081			PART NO. CX70M-24P2		
SCALE 5:1 UNITS mm			CODE NO. CL 6240-0003-4		
HRS HIROSE KOREA CO.,LTD.			2/2		