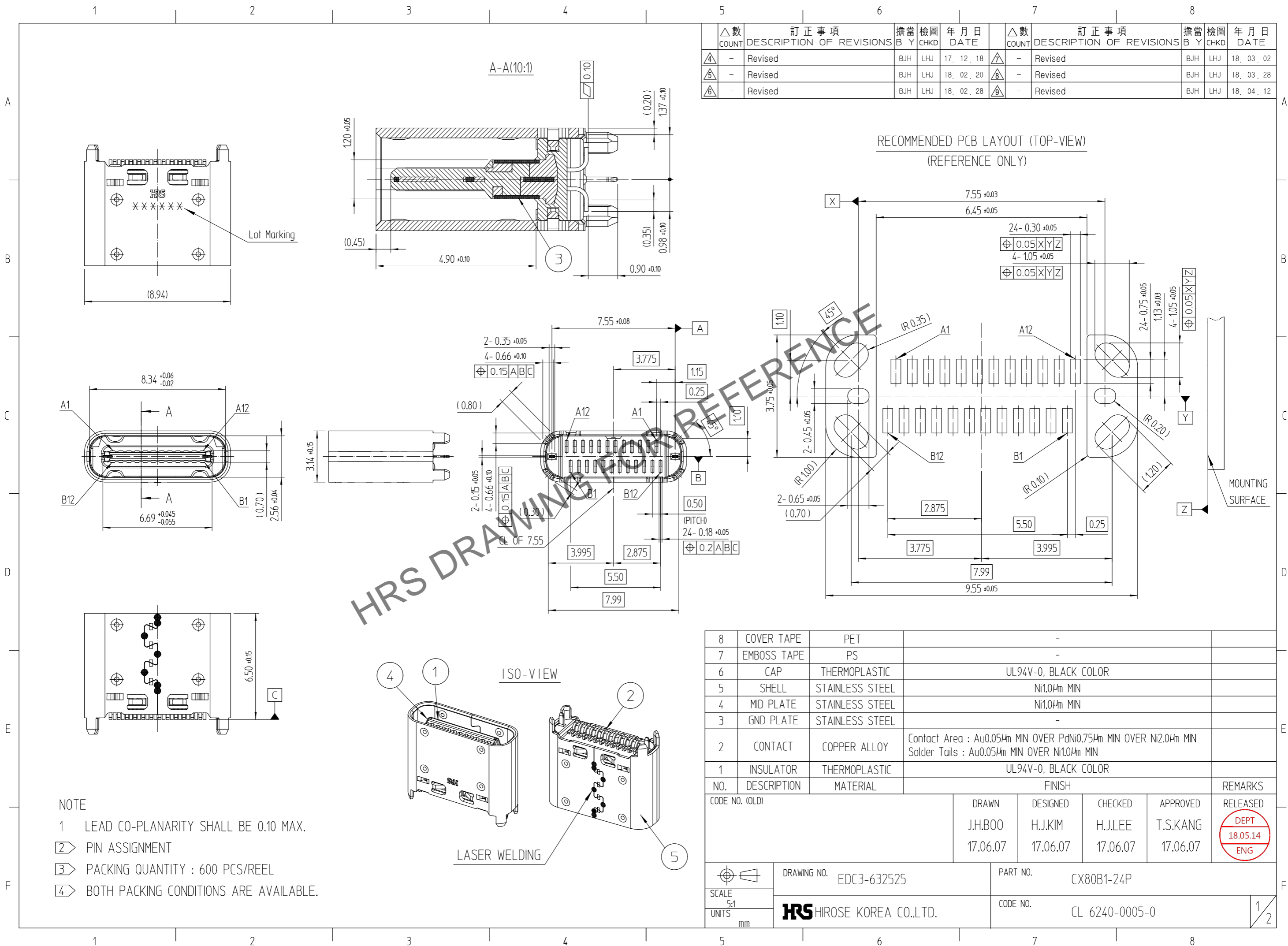


Jun.1.2024 Copyright 2024 HIROSE ELECTRIC CO., LTD. All Rights Reserved.
 In case of consideration for using Automotive equipment / device which demand high reliability, kindly contact our sales window correspondents.



△數 COUNT	訂正事項 DESCRIPTION OF REVISIONS	擔當 B	檢圖 CHKD	年月日 DATE	△數 COUNT	訂正事項 DESCRIPTION OF REVISIONS	擔當 B	檢圖 CHKD	年月日 DATE
④	- Revised	BJH	LHJ	17. 12. 18	⑦	- Revised	BJH	LHJ	18. 03. 02
⑤	- Revised	BJH	LHJ	18. 02. 20	⑧	- Revised	BJH	LHJ	18. 03. 28
⑥	- Revised	BJH	LHJ	18. 02. 28	⑨	- Revised	BJH	LHJ	18. 04. 12

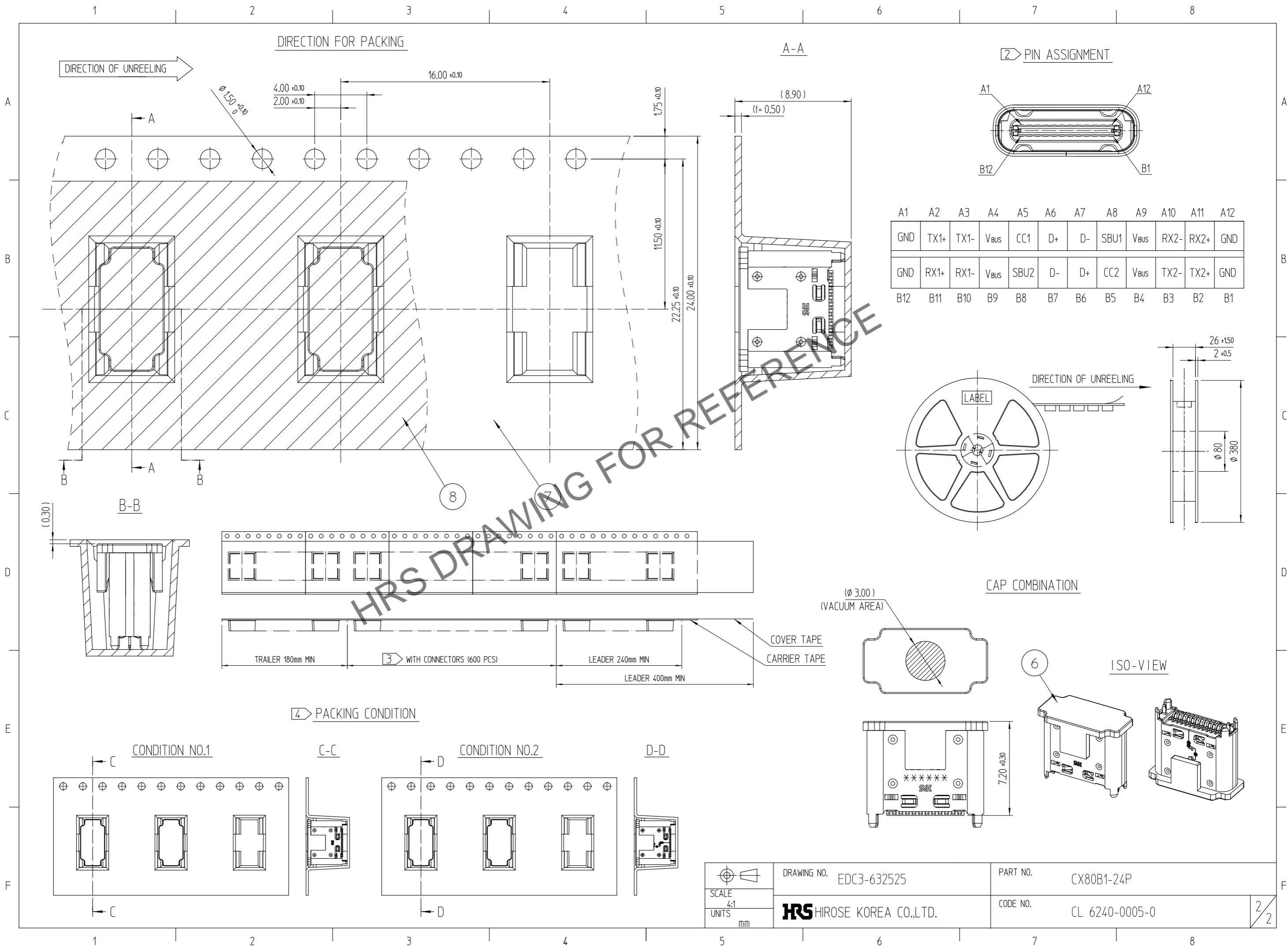
RECOMMENDED PCB LAYOUT (TOP-VIEW)
(REFERENCE ONLY)

NO.	DESCRIPTION	MATERIAL	FINISH	REMARKS
8	COVER TAPE	PET	-	
7	EMBOSS TAPE	PS	-	
6	CAP	THERMOPLASTIC	UL94V-0, BLACK COLOR	
5	SHELL	STAINLESS STEEL	Ni1.0μm MIN	
4	MID PLATE	STAINLESS STEEL	Ni1.0μm MIN	
3	GND PLATE	STAINLESS STEEL	-	
2	CONTACT	COPPER ALLOY	Contact Area : Au0.05μm MIN OVER PdNi0.75μm MIN OVER Ni2.0μm MIN Solder Tails : Au0.05μm MIN OVER Ni1.0μm MIN	
1	INSULATOR	THERMOPLASTIC	UL94V-0, BLACK COLOR	

- NOTE
- ① LEAD CO-PLANARITY SHALL BE 0.10 MAX.
 - ② PIN ASSIGNMENT
 - ③ PACKING QUANTITY : 600 PCS/REEL
 - ④ BOTH PACKING CONDITIONS ARE AVAILABLE.

CODE NO. (OLD)	DRAWN J.H.BOO 17.06.07	DESIGNED H.J.KIM 17.06.07	CHECKED H.J.LEE 17.06.07	APPROVED T.S.KANG 17.06.07	RELEASED DEPT 18.05.14 ENG
DRAWING NO. EDC3-632525	PART NO. CX80B1-24P		CODE NO. CL 6240-0005-0		
SCALE 5:1 UNITS mm	HRS HIROSE KOREA CO.,LTD.		1/2		

Jun.1.2024 Copyright 2024 HIROSE ELECTRIC CO., LTD. All Rights Reserved.
 In case of consideration for using Automotive equipment / device which demand high reliability, kindly contact our sales window correspondents.



 SCALE 4:1 UNITS mm	DRAWING NO.	EDC3-632525	PART NO.	CX80B1-24P
	HIROSE KOREA CO.,LTD.		CODE NO.	CL 6240-0005-0
				2/2