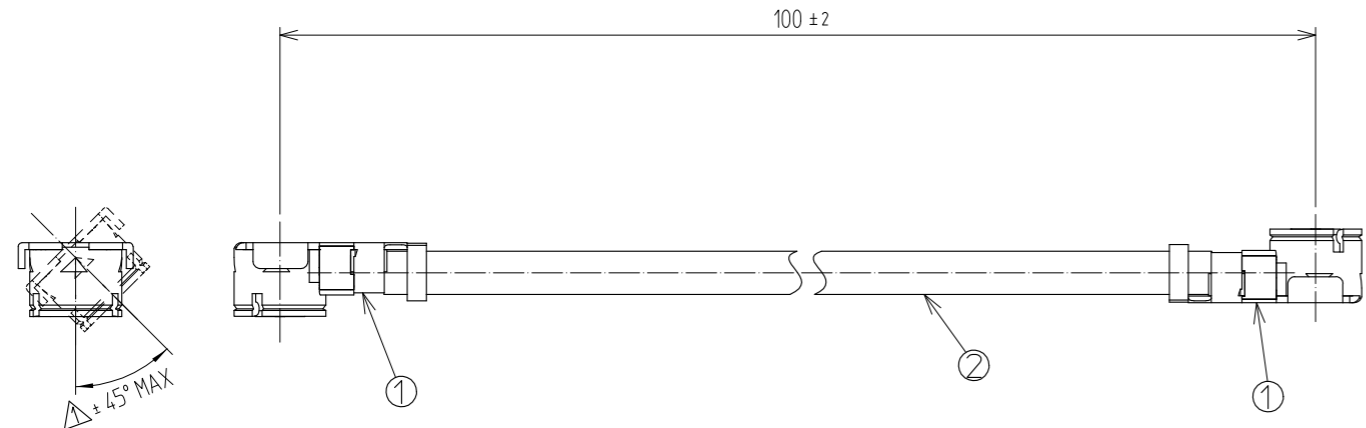
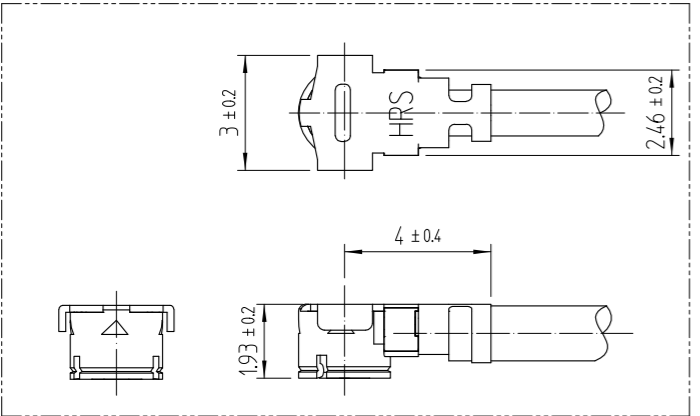


Jul.1.2024 Copyright 2024 HIROSE ELECTRIC CO., LTD. All Rights Reserved.  
In case of consideration for using Automotive equipment / device which demand high reliability, kindly contact our sales window correspondents.

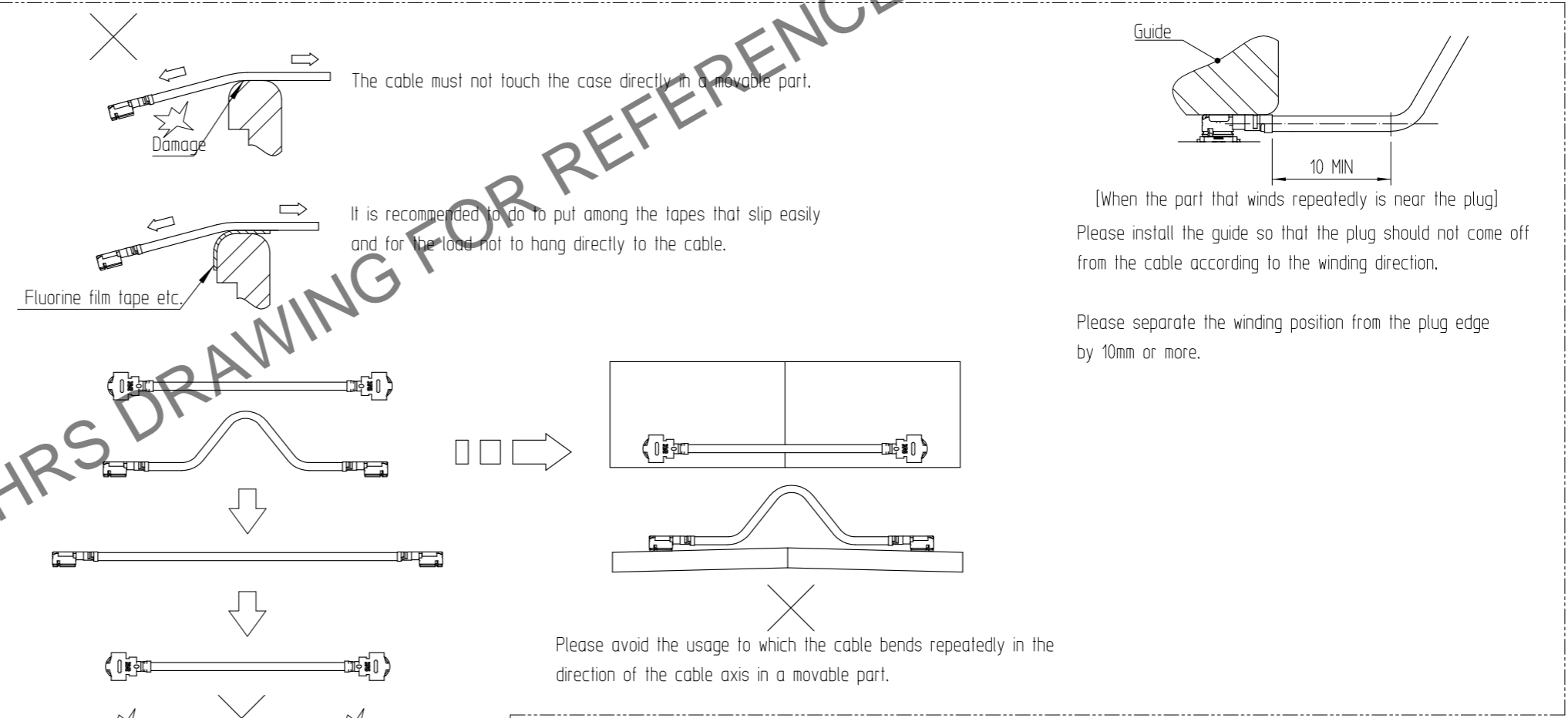
COUNT	DISCRIPTION OF REVISIONS	B	Y	CHKD	DATE	COUNT	DISCRIPTION OF REVISIONS	B	Y	CHKD	DATE
△ 1	RE-3-1844	KMJ		KHS	23. 04. 05	△					
△						△					
△						△					



[DIMENSIONS OF CONNECTOR]



[Attention when wiring for U.FL-LPK-066 harness]



[PRECAUTIONS FOR HANDLING]

- ◆ Connector insertion and extraction
  - Connector shall be extracted vertically by specialised extraction JIG. Part No.:U.FL-LP(V)-N-2. Never hold the cable when extracting the cable because it damages the connector.
  - Insert the connector as perpendicularly to the mating surface as possible by aligning the mating axes of both connectors. Do not excessively slant the connectors when inserting.
- ◆ Allowable loads on the cable after the connectors are mated. The figures below show the maximum allowable loads on the cable. Do not apply loads exceeding these values to the cable.

1	U.FL-LPK-066	GOLD PLATING	2	CABLE	HITACHI Ø1.32 COAXIAL CABLE				
NO.	MATERIAL	FINISH . REMARKS	NO.	MATERIAL	FINISH . REMARKS				
CODE NO. (OLD)			DRAWN	DESIGNED	CHECKED	APPROVED	RELEASED		
			H.G PARK	H.G PARK	D.G KIM	H.S KIM	ENG		
			19.04.17	19.04.17	19.04.17	19.04.17	23.04.06		
			19.04.17	19.04.17	19.04.17	19.04.17	DEPT		
DRAWING NO.			PART NO.						
SCALE FREE			EDC3-632816-80		UFL-2LPK-066H1-AC100(800)				
UNITS mm			HRS HIROSE KOREA CO.,LTD.		CODE NO.			1/1	
					CL 6327-0370-3-800				