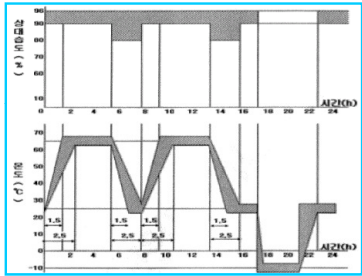



Aug. 1. 2024 Copyright 2024 HIROSE ELECTRIC CO., LTD. All Rights Reserved.  
In case of consideration for using Automotive equipment / device which demand high reliability, kindly contact our sales window correspondents.

Count	Description of revisions	By	Chkd	Date	Count	Description of revisions	By	Chkd	Date
△					△				
△					△				
<b>Applicable standard</b>									
Rating	Operating temperature range	-40℃ ~ +90℃			Storage temperature range	-30℃ ~ +70℃			
	Power	---W			Characteristic impedance	50Ω (0 to 8GHz)			
	Peculiarity	---			Applicable cable	Ø 1.32 (Coaxial cable)			
<b>SPECIFICATIONS</b>									
ITEM		TEST METHOD			REQUIREMENTS			QT	AT
<b>CONSTRUCTION</b>									
General examination		Visually and by measuring instrument.			According to drawing.			0	0
Marking		Confirmed visually.						0	0
<b>ELECTRICAL CHARACTERISTICS</b>									
Contact resistance		Mate applicable connector and apply a current of 10 mA AC(Or 10,000Hz).			Center contact : 153 mΩ Max. Outer contact : 69 mΩ Max.			0	-
Insulation resistance		Mate applicable connector and apply a current of DC100 V.			500 MΩ Min.			0	-
Voltage proof		Mate applicable and apply voltage of AC 200 V for 1 min.			No flashover or breakdown.			0	-
Voltage standing wave ratio (NOTE 2)		Frequency 0 to 8GHz. [Test cable length : 100 mm].			VSWR 1.6 Max.			0	-
<b>MECHANICAL CHARACTERISTICS</b>									
Mechanical operation		30 times insertions and extractions.			① Contact resistance Center contact : 193 mΩ Max. Outer contact : 109 mΩ Max. ② No damage, crack and looseness of parts.			0	-
Shock		980 m/s <sup>2</sup> direction of pulse 6ms at 10 times in 3 directions.			① No electrical discontinuity of 1μs. ② Contact resistance Center contact : 193 mΩ Max. Outer contact : 109 mΩ Max. ③ No damage, crack and looseness of parts.			0	-
<b>ENVIRONMENTAL CHARACTERISTICS</b>									
Rapid change of temperature (NOTE 1)		Temperature : -40±2 → 15~35 → +90±2 → 15~35℃ Time : 30 → 5 → 30 → 5 min Under 200 cycles.			① Contact resistance Center contact : 193 mΩ Max. Outer contact : 109 mΩ Max.			0	-
Damp heat, cycle (NOTE 1)		Exposed at 25±2℃, 65% 25 h.  Under 10 cycles.			② No damage, crack or looseness of parts. ③ Insulation resistance : 10 MΩ Min.			0	-
Remarks conditions for testing				Drawn	Designed	Checked	Approved	Released	
				H.G PARK	H.G PARK	D.G KIM	H.S KIM		
Unless otherwise specified, refer to JIS C 5402.				19.03.06	19.03.06	19.03.06	19.03.06		
Note QT: Qualification test AT: Assurance test O: Applicable test									
HIROSE KOREA CO.,LTD.			SPECIFICATION SHEET			Part No. UFL-2LPK-066H1-AC100(800)			
Code No.(OLD) CL		Drawing No. ELC4-632816		Code No. CL 6327-0370-3-800				1/2	

Dry heat (NOTE 1)	Exposed at 90±2 °C, 300 h.	① Contact resistance Center contact : 193 mΩ Max. Outer contact : 109 mΩ Max. ② No damage, crack or looseness of parts. ③ Insulation resistance : 10 MΩ Min.	O	-
Damp and humidity heat (NOTE 1)	Exposed at 90±2 °C, 85%, 500 h.	① Contact resistance Center contact : 193 mΩ Max. Outer contact : 109 mΩ Max. ② No damage, crack or looseness of parts. ③ No evidence of corrosion which affects to operation of connector. ④ Insulation resistance : 10 MΩ Min.	O	-
Corrosion salt spray (NOTE 1)	Exposed at 35±2 °C, 5±1 % salt water spray for 48 h.	① Contact resistance Center contact : 193 mΩ Max. Outer contact : 109 mΩ Max. ② No damage, crack or looseness of parts. ③ No evidence of corrosion which affects to operation of connector.	O	-
Sulfur dioxide test (NOTE 1)	Exposed in 10 PPM, 40±2 °C, 90~95 % FOR 24 h.	① Contact resistance Center contact : 193 mΩ Max. Outer contact : 109 mΩ Max. ② No damage, crack or looseness of parts. ③ Insulation resistance : 10 MΩ Min.	O	-
Dust resistance (NOTE 1)	1) Kind of dust : JIS R5210 cement of portland, 1.5 Kg. 2) 10 seconds every 15 minutes, 1h progressing.	① Contact resistance Center contact : 193 mΩ Max. Outer contact : 109 mΩ Max. ② No damage, crack or looseness of parts. ③ Insulation resistance : 10 MΩ Min.	O	-

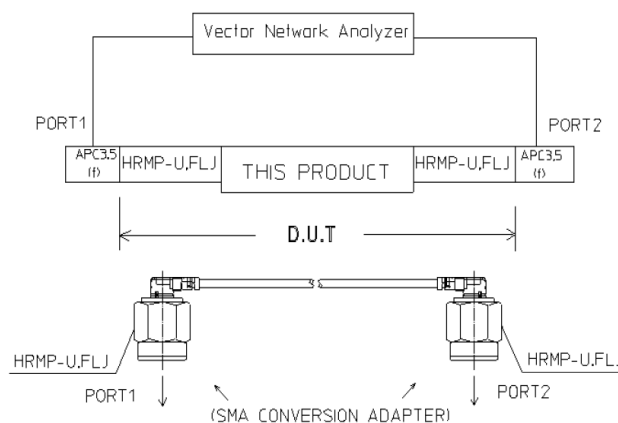
### COMBINE VIBRATION CHARACTERISTICS

Combine vibration test (NOTE 1)	Exposed at 85±2°C, 90~95 %, 120 cycles (45 min : 0n, 15 min : Off) Vibration acceleration 4.4 g (43.12 m/s <sup>2</sup> ). Frequency 20 ~ 200 Hz at 40 h, in 3 directions.	① No electrical discontinuity of 1μs. ② Contact resistance Center contact : 193 mΩ Max. Outer contact : 109 mΩ Max. ③ No damage, crack and looseness of parts.	O	-
------------------------------------	--	--	---	---

(NOTE 1) 10 times insertions and extractions the pre-test / exposed 24h.

Exposed 2h after the test.

(Note 2) Test item[VSWR] and conducted according to the conditions specified below.



Note QT: Qualification test AT: Assurance test O: Applicable test

HIROSE KOREA CO.,LTD.	SPECIFICATION SHEET	Part No. UFL-2LPK-066H1-AC100(800)
Code No.(OLD) CL	Drawing No. ELC4-632816	Code No. CL 6327-0370-3-800

2/2