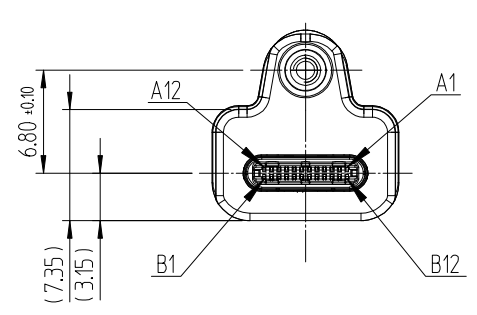
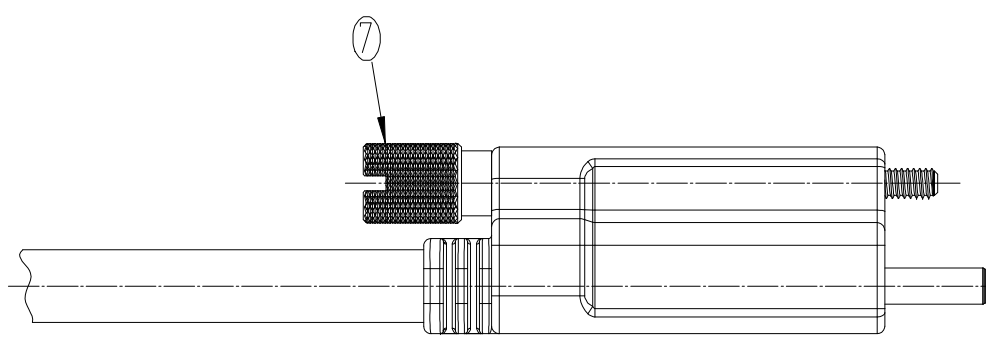
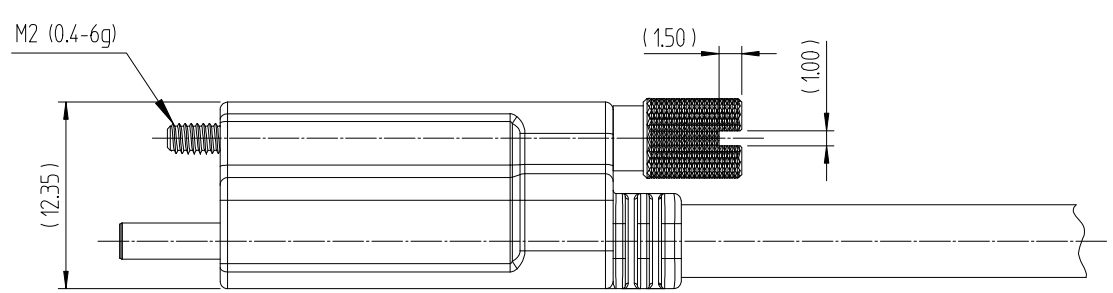
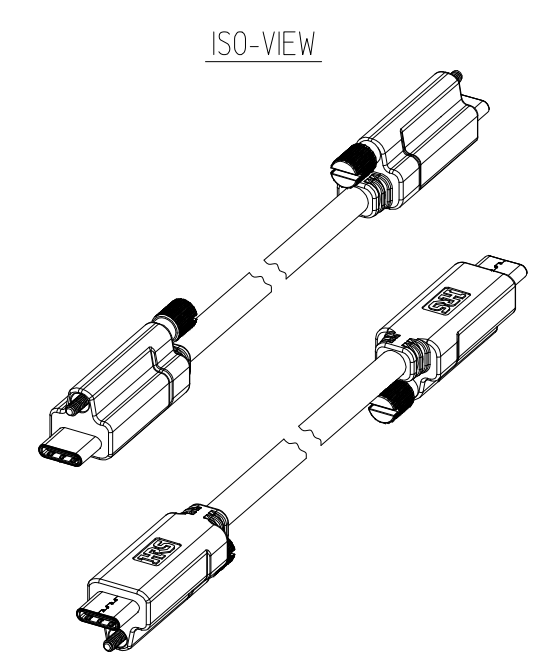
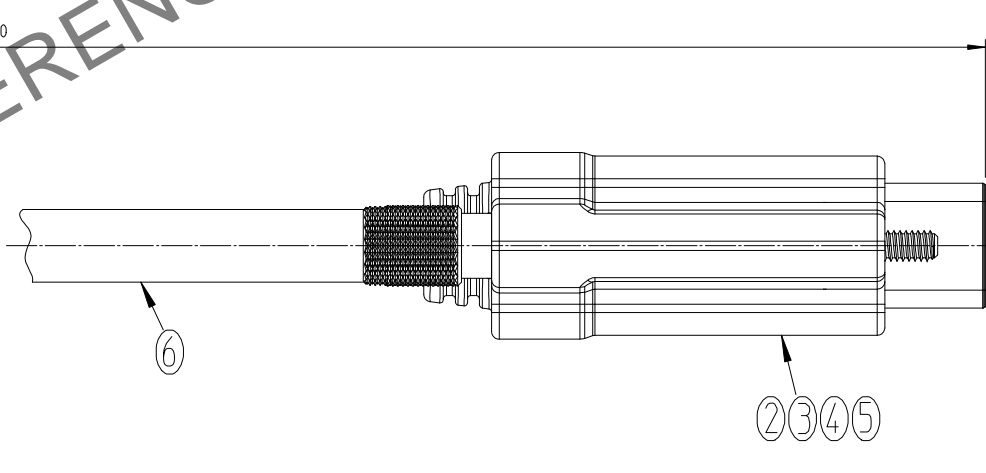
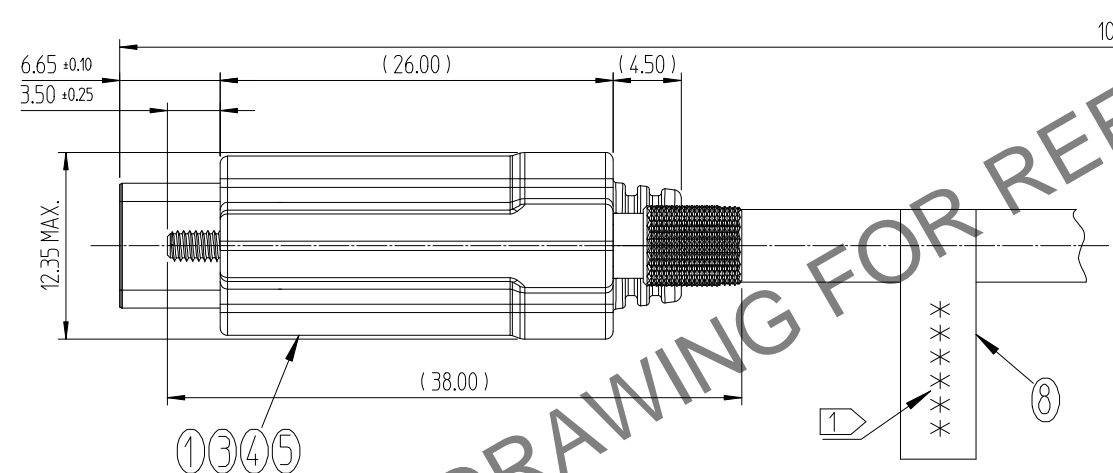


May.1.2024 Copyright 2024 HIROSE ELECTRIC CO., LTD. All Rights Reserved.
In case of consideration for using Automotive equipment / device which demand high reliability, kindly contact our sales window

△數 COUNT	訂正事項 DESCRIPTION OF REVISIONS	擔當 B	檢圖 CHKD	年月日 DATE	△數 COUNT	訂正事項 DESCRIPTION OF REVISIONS	擔當 B	檢圖 CHKD	年月日 DATE
①	- Revised	BJH	LHJ	19. 04. 17	④	- RE-2-1426(M.P. Release)	JSK	LHJ	20. 02. 11
②	- Revised	JSK	LHJ	19. 10. 07	△				
③	- Revised	JSK	LHJ	20. 01. 16	△				



HRS DRAWING FOR REFERENCE

NOTE

① LOT NO.

$\frac{20}{①}$ $\frac{2}{②}$ $\frac{20}{③}$ $\frac{AS}{④}$ $\frac{C}{⑤}$ $\frac{1}{⑥}$

① : Years ④ : Factory
 ② : Month ⑤ : Line No.
 ③ : Day ⑥ : Lot No.

2. PIN ASSIGNMENT

A12	A11	A10	A9	A8	A7	A6	A5	A4	A3	A2	A1
GND	RX2+	RX2-	Vbus	SBU1	D-	D+	CC	Vbus	TX1-	TX1+	GND
B1	B2	B3	B4	B5	B6	B7	B8	B9	B10	B11	B12
GND	TX2+	TX2-	Vbus	VCONN	Dummy	Dummy	SBU2	Vbus	RX1-	RX1+	GND

8	LABEL	-	1
7	LOCKING SCREW	BRASS (Ni Plating)	2
6	CABLE	COAXIAL CABLE	1
5	OUTER MOLD	PVC(BLACK)	2
4	INNER MOLD	PE(TRANSPARENT)	2
3	SHIELD	CX60-SLDA	2
2	PCBA2	CX60-24S-UNIT, PCB, CAPACITOR, RESISTOR	1
1	PCBA1	CX60-24S-UNIT, PCB, CAPACITOR, E-MARKER	1
NO.	PART NAME	COMPONENTS	Q' TY

DRAWN	DESIGNED	CHECKED	APPROVED	RELEASED
J.H.BOO	J.H.BOO	H.J.LEE	H.J.LEE	
19.03.25	19.03.25	19.03.25	19.03.25	

	DRAWING NO.	EDC3-632946-00	PART NO.	CX60-24S-1000-CS
SCALE	HIROSE KOREA CO.,LTD.		CODE NO.	CL 6240-0030-7-000
2:1				1/1
UNITS				