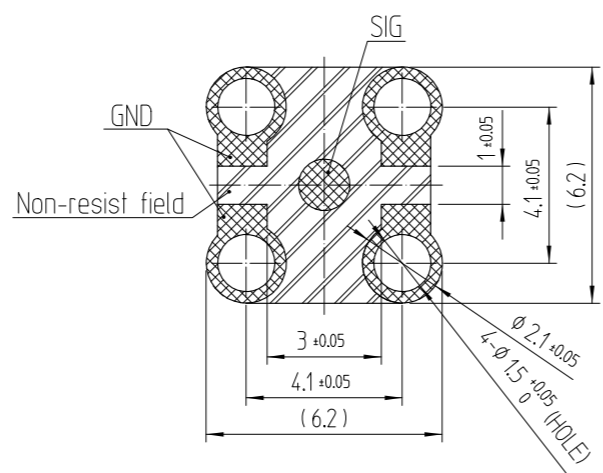
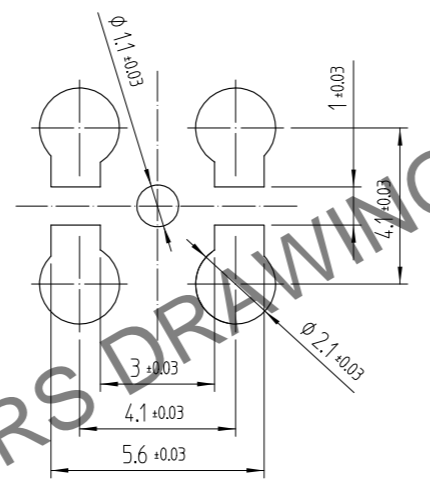


May.1.2024 Copyright 2024 HIROSE ELECTRIC CO., LTD. All Rights Reserved.  
In case of consideration for using Automotive equipment / device which demand high reliability, kindly contact our sales window correspondents.

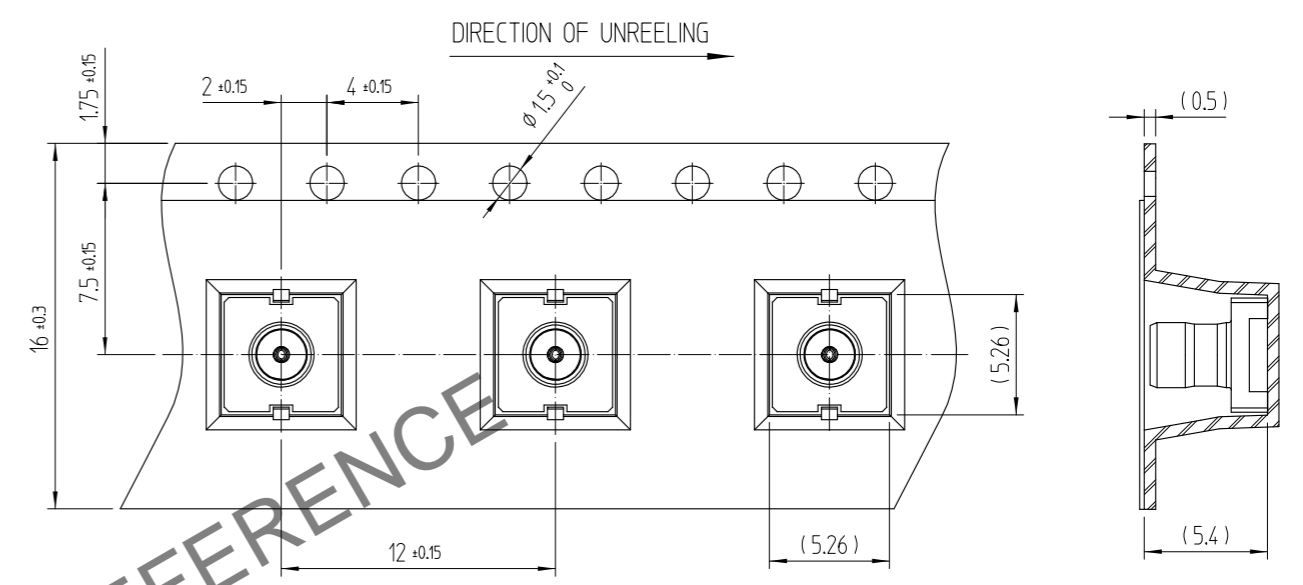
RECOMMENDED PC BOARD PATTERN DRAWING(5:1)



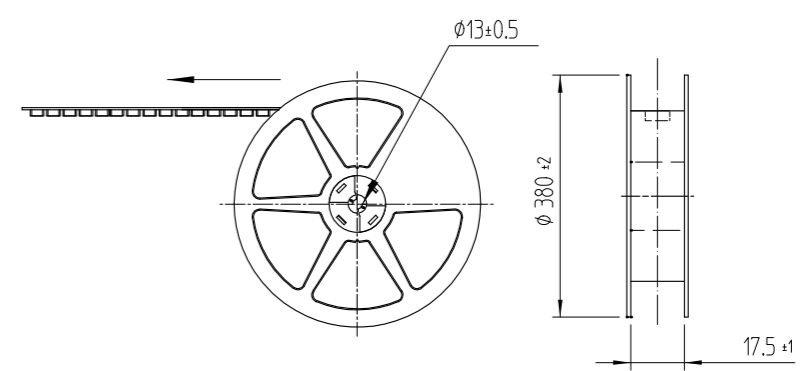
RECOMMENDED METAL MASK DRAWING(5:1)  
[METAL MASK THICKNESS: t = 0.1]



EMBOSSED TAPING DRAWING(3:1)

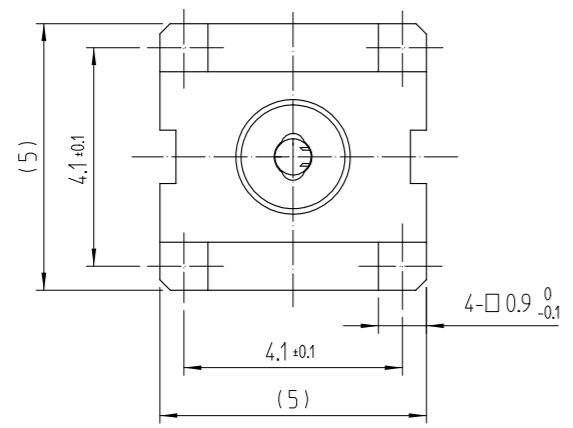
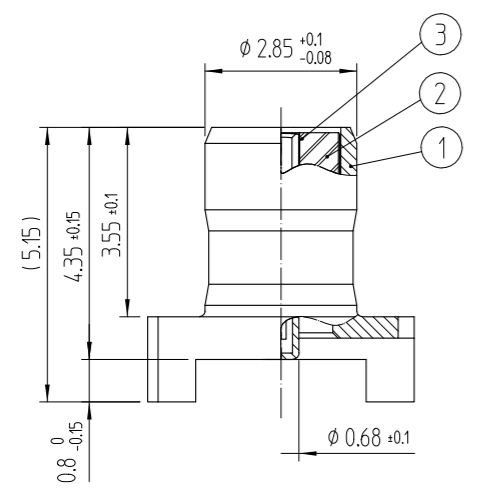


REEL DRAWING(SCALE : FREE)



MATERIAL: PS(WHITE)

| △數<br>COUNT | 訂正事項<br>DESCRIPTION OF REVISIONS | 擔當<br>B | 檢圖<br>CHKD | 年月日<br>DATE | △數<br>COUNT | 訂正事項<br>DESCRIPTION OF REVISIONS | 擔當<br>B | 檢圖<br>CHKD | 年月日<br>DATE |
|-------------|----------------------------------|---------|------------|-------------|-------------|----------------------------------|---------|------------|-------------|
| △           |                                  |         |            | ..          | △           |                                  |         |            | ..          |
| △           |                                  |         |            | ..          | △           |                                  |         |            | ..          |
| △           |                                  |         |            | ..          | △           |                                  |         |            | ..          |



NOTES:

- 1 : THE QUANTITY OF POK16-R-PC IS 1,000 CONNECTORS PER REEL.
- 2 : LEAD CO-PLANARITY SHALL BE 0.1MAX.
- 3 : FOR THE POSSIBILITY OF BREAKAGE OR DEFORMATION.  
DO NOT MATE THES CONNECTOR WITH PARTNER, POK16-PR-PC BEFORE MOUNTING ON PC BOARD.
- 4 : USE ALL PRODUCTS WITHIN 6 MONTHS AFTER THE DELIVERY.  
STORE THEM IN MANUFACTURER'S PACKAGE OR TIGHTLY RE-CLOSED BOX WITH THE FOLLOWING CONDITIONS, CHECK THE TERMINAL SOLDERABILITY BEFORE USE IF THE PRODUCT HAS BEEN STORED FOR MORE THAN 6 MONTHS.

TEPERATURE : -10°C TO +50°C  
HUMIDITY : 15 TO 85% RH.

|                |                 |                           |                      |                      |                         |
|----------------|-----------------|---------------------------|----------------------|----------------------|-------------------------|
| 3              | TITANIUM COPPER | GOLD PLATING              |                      |                      |                         |
| 1              | COPPER          | GOLD PLATING              | 2                    | LCP                  | (COLOR : BLACK)         |
| NO.            | MATERIAL        | FINISH,REMARKS            | NO.                  | MATERIAL             | FINISH,REMARKS          |
| CODE NO. (OLD) |                 |                           | DRAWN                | DESIGNED             | CHECKED                 |
|                |                 |                           | H.G.PARK<br>20.05.26 | H.G.PARK<br>20.05.26 | D.G.KIM<br>20.05.26     |
|                |                 |                           |                      |                      | APPROVED                |
|                |                 |                           |                      |                      | H.S.KIM<br>20.05.26     |
|                |                 |                           |                      |                      | RELEASED                |
|                |                 |                           |                      |                      | ENG<br>20.05.26<br>DEPT |
| DRAWING NO.    |                 | EDC3-633113               |                      | PART NO.             |                         |
|                |                 |                           |                      | POK16-R-PC(800)      |                         |
| SCALE          |                 | 7:1                       |                      | CODE NO              |                         |
| UNITS          |                 | mm                        |                      | CL 6341-0016-0-800   |                         |
|                |                 | HRS HIROSE KOREA CO.,LTD. |                      | 1/1                  |                         |