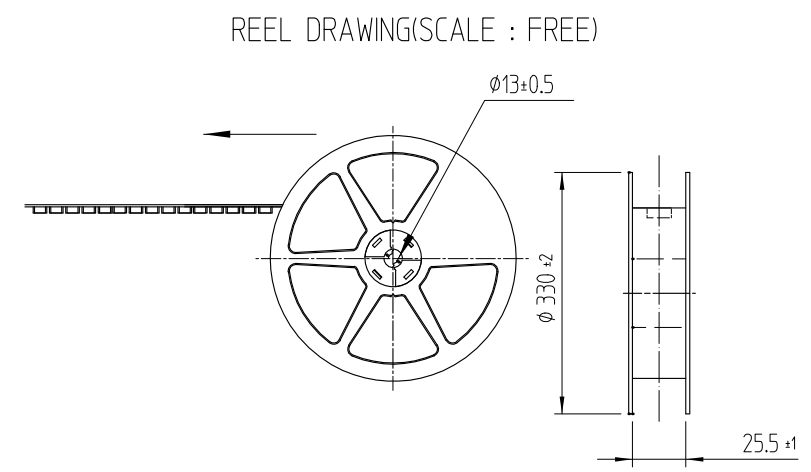
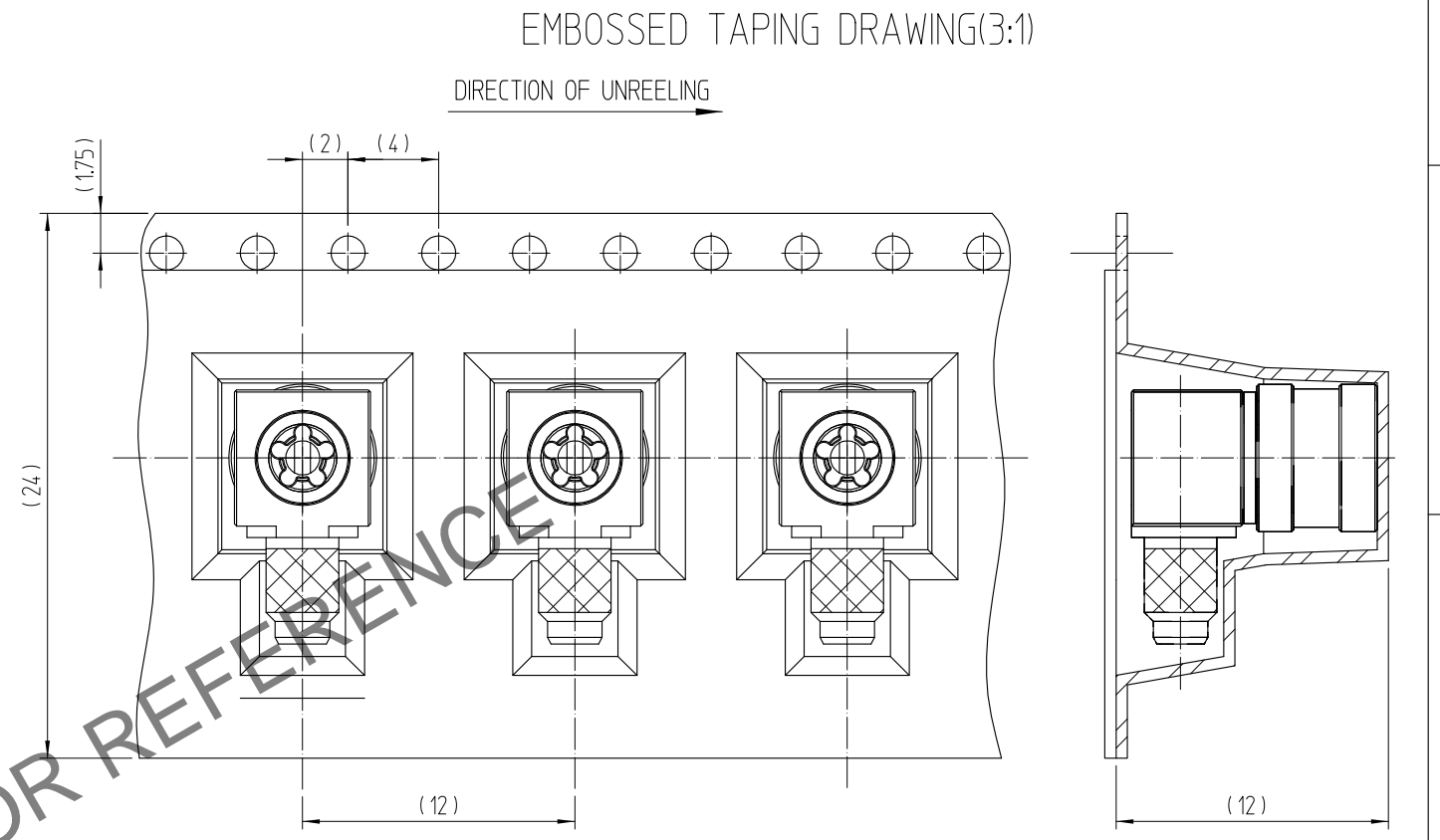
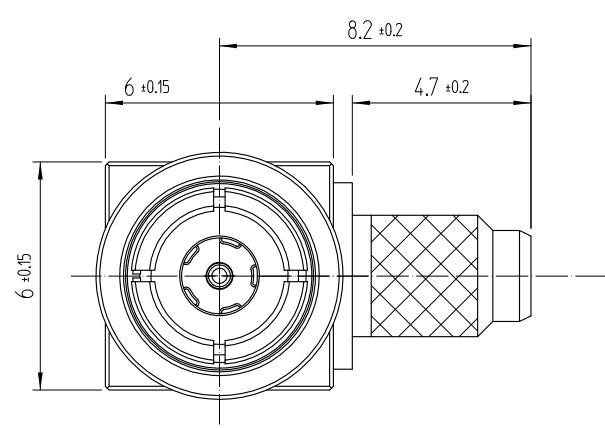
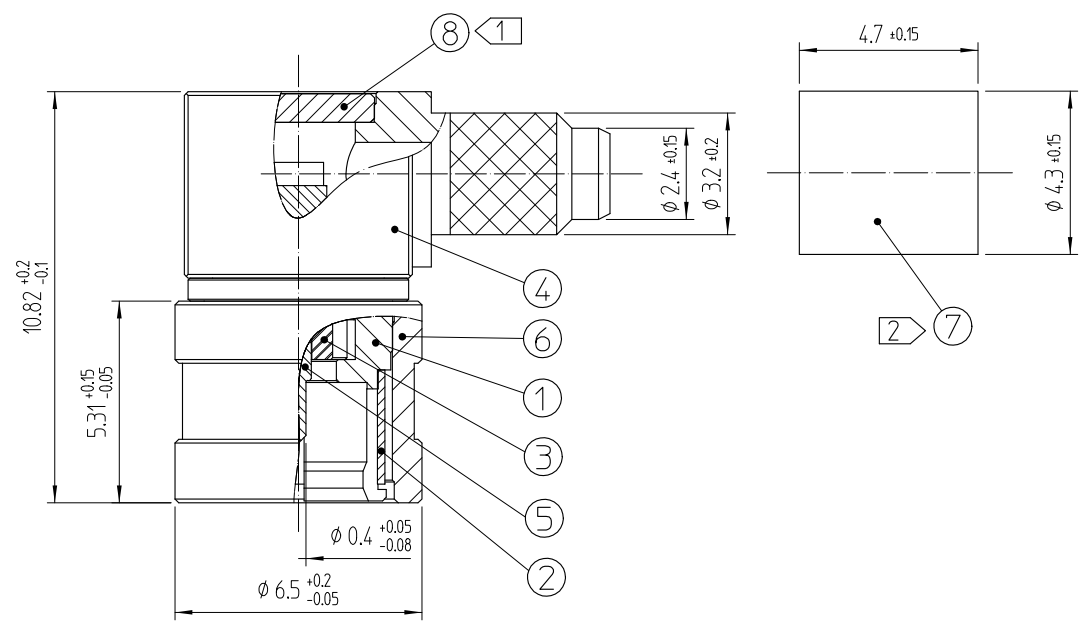


Apr.1.2024 Copyright 2024 HIROSE ELECTRIC CO., LTD. All Rights Reserved.
In case of consideration for using Automotive equipment / device which demand high reliability, kindly contact our sales window correspondents.

1 2 3 4 5 6 7 8

△數 COUNT	訂正事項 DISCRIPTION OF REVISIONS	擔當檢圖 B Y	年月日 DATE	△數 COUNT	訂正事項 DISCRIPTION OF REVISIONS	擔當檢圖 B Y	年月日 DATE
△				△			
△				△			
△				△			



MATERIAL: PS(WHITE)

NOTES:

- ① An instructed part is deliver to the customer separately from the assembly.
Product Name : POK19-LP-1.5D HOOD(800)
Product CODE : CL 6341-0021-0-800
- ② An instructed part is deliver to the customer separately from the assembly.
Product Name : POK15-P-1.5D SLEEVE(800)
Product CODE : CL 6341-0011-7-800
- 3 : THE QUANTITY OF POK19-LP-1.5D PLUG IS 500 CONNECTORS PER REEL.
- 4 : USE ALL PRODUCTS WITHIN 6 MONTHS AFTER THE DELIVERY.
STORE THIS IN MANUFACTURER'S PACKAGE OR TIGHTLY RE-CLOSED BOX
WITH THE FOLLOWING CONDITIONS. CHECK THE TERMINAL SOLDERABILITY BEFORE
USE IF THE PRODUCT HAS BEEN STORED FOR MORE THAN 6 MONTHS.

TEMPERATURE : -10°C TO +50°C
HUMIDITY : 15 TO 85% RH.

7	COPPER	NICKEL PLATING	8	COPPER	NICKEL PLATING
5	COPPER	GOLD PLATING	6	COPPER	NICKEL PLATING
3	NYLON	(COLOR: BLACK)	4	COPPER	NICKEL PLATING
1	COPPER	NICKEL PLATING	2	BERYLLIUM COPPER	NICKEL PLATING
NO.	MATERIAL	FINISH,REMARKS	NO.	MATERIAL	FINISH,REMARKS
CODE NO. (OLD)			DRAWN	DESIGNED	CHECKED
			G.S CHOI	G.S CHOI	H.S KIM
			20.09.03	20.09.03	20.09.03
			APPROVED	RELEASED	
			H.S KIM	H.S KIM	ENG
			20.09.03	20.09.03	20.09.03
			DEPT		
DRAWING NO. EDC3-633117			PART NO. POK19-LP-1.5D PLUG(800)		
SCALE 7:1			CODE NO. CL 6341-0020-8-800		
UNITS mm			HRS HIROSE KOREA CO.,LTD.		
			1/2		

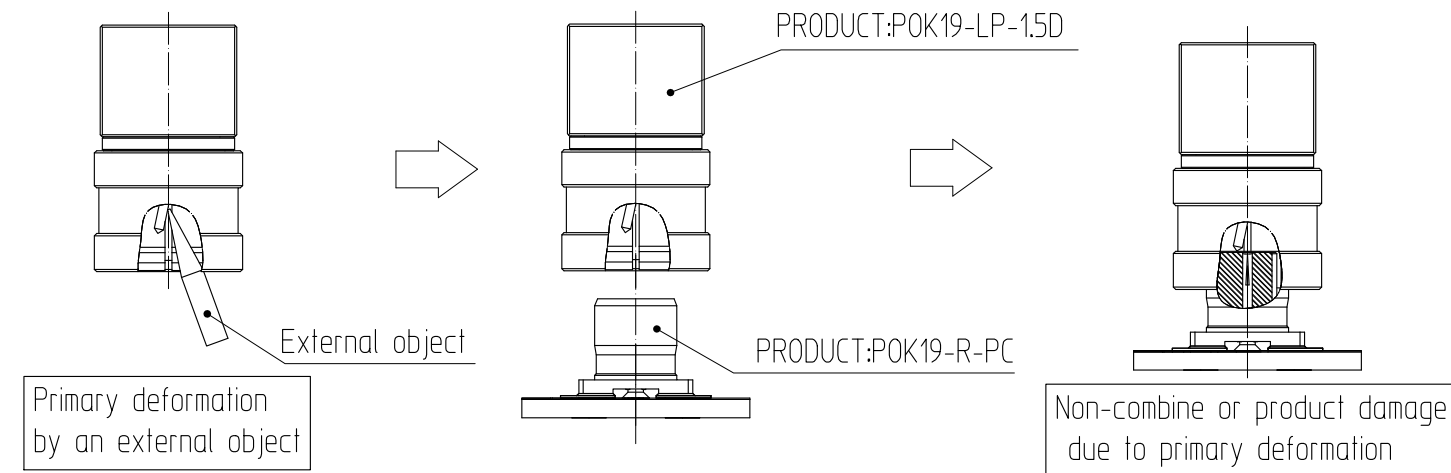
1 2 3 4 5 6 7 8

Apr.1.2024 Copyright 2024 HIROSE ELECTRIC CO., LTD. All Rights Reserved.
In case of consideration for using Automotive equipment / device which demand high reliability, kindly contact our sales window correspondents.

1. POK19-LP-1.5D ※Handling notice

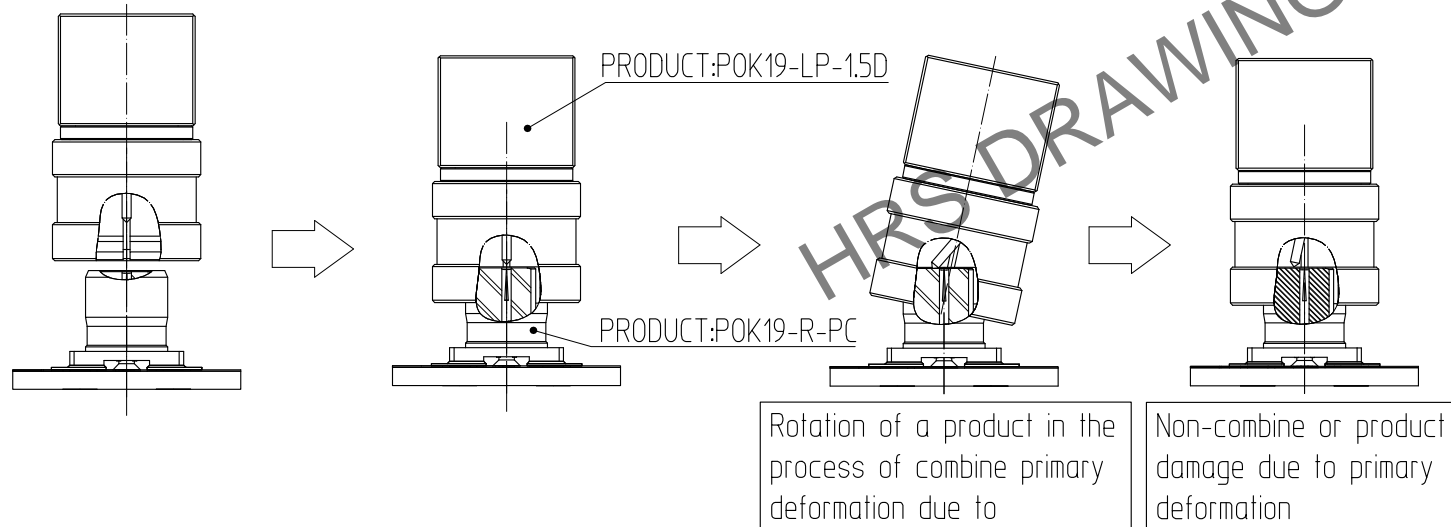
① Note the contact deformation of 'POK19-LP-1.5D' due to external objects.

When contact is deformed and 'POK19-R-PC' is combined by contact deformation It can be a cause lose of function /not be combined/product damage (Including counterparties).

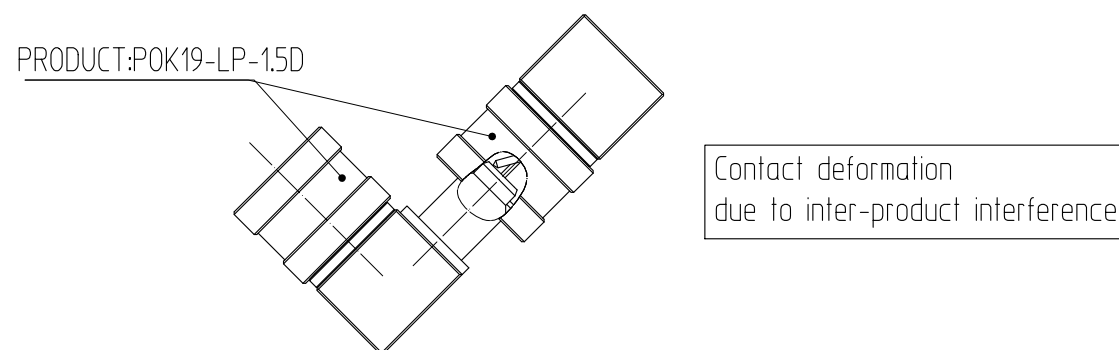


② When 'POK19-LP-1.5D' and 'POK19-R-PC' combine, there shall be no rotation.

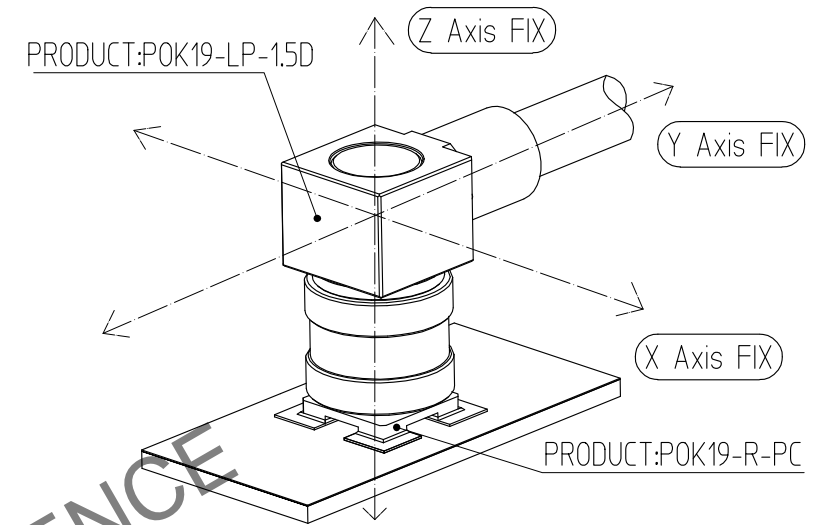
If the rotation of 'POK19-LP-1.5D' or 'POK19-R-PC' occurs in the process of coupling, contact is deformed. Contact deformation can be a cause lose of function/ not be combined/product damage (Including counterparties).



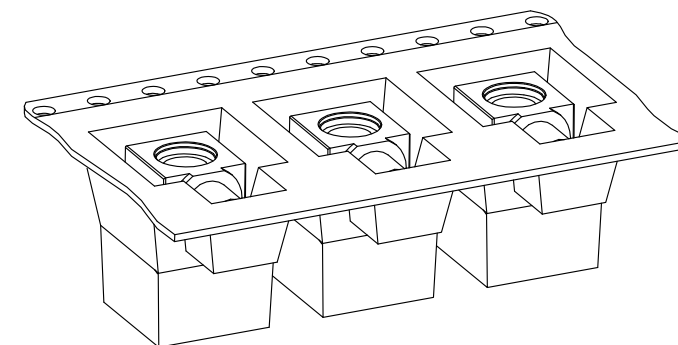
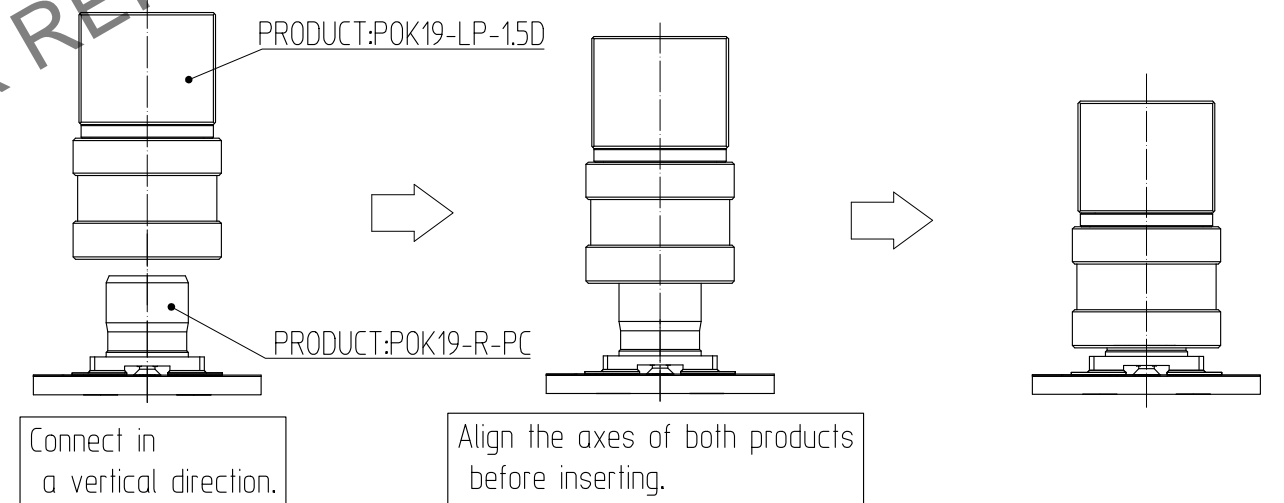
③ When handling two or more 'POK19-LP-1.5D', be careful of contact deformation due to interference.



④ When using a combination of 'POK19-LP-1.5D' and 'POK19-R-PC', It is recommended to use JIG separately to maintain the coupling against external vibrations and shocks and to prevent move of the product.



※Recommended method of coupling



When not using the 'POK19-LP-1.5D' product, it is recommended that it be stored packaged to prevent product deformation.

 SCALE 7:1 UNITS mm	DRAWING NO. EDC3-633117	PART NO. POK19-LP-1.5D PLUG(800)	 2/2
	HIROSE KOREA CO.,LTD.	CODE NO. CL 6341-0020-8-800	