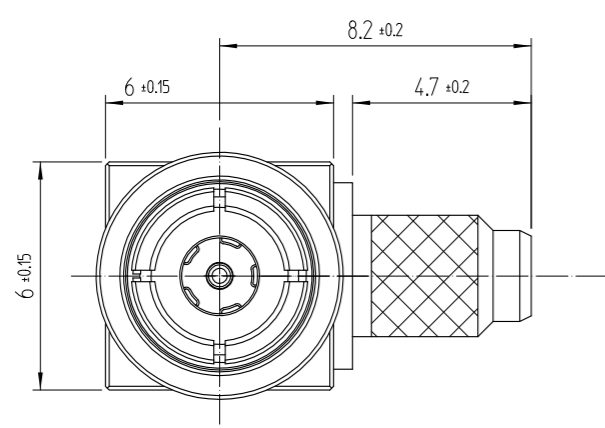
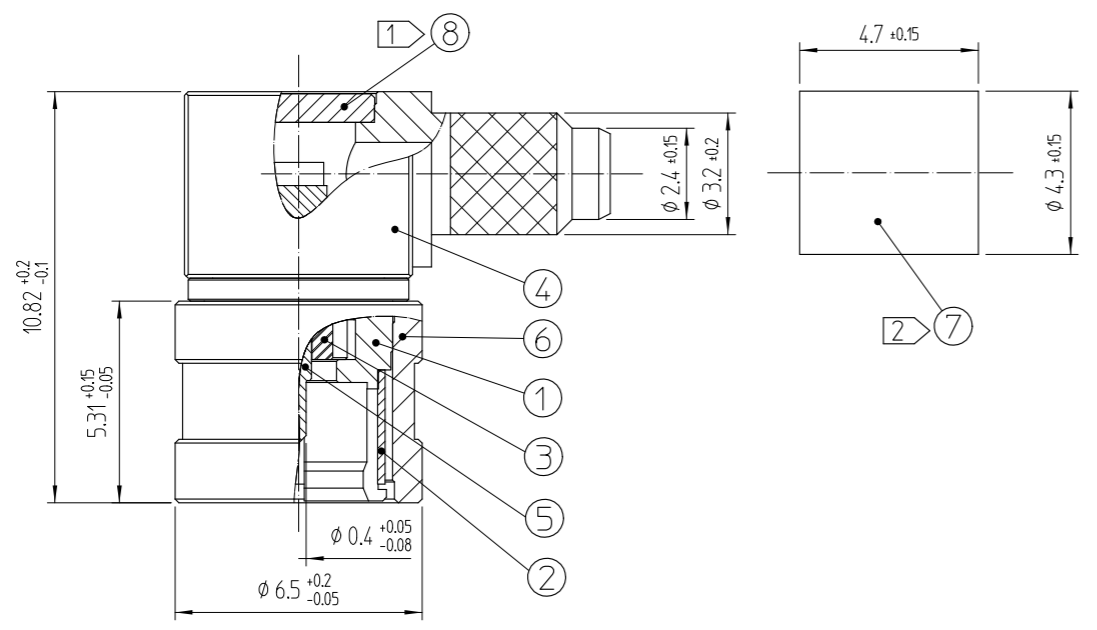


Apr.1.2024 Copyright 2024 HIROSE ELECTRIC CO., LTD. All Rights Reserved.
In case of consideration for using Automotive equipment / device which demand high reliability, kindly contact our sales window correspondents.

1 2 3 4 5 6 7 8

A
B
C
D
E
F



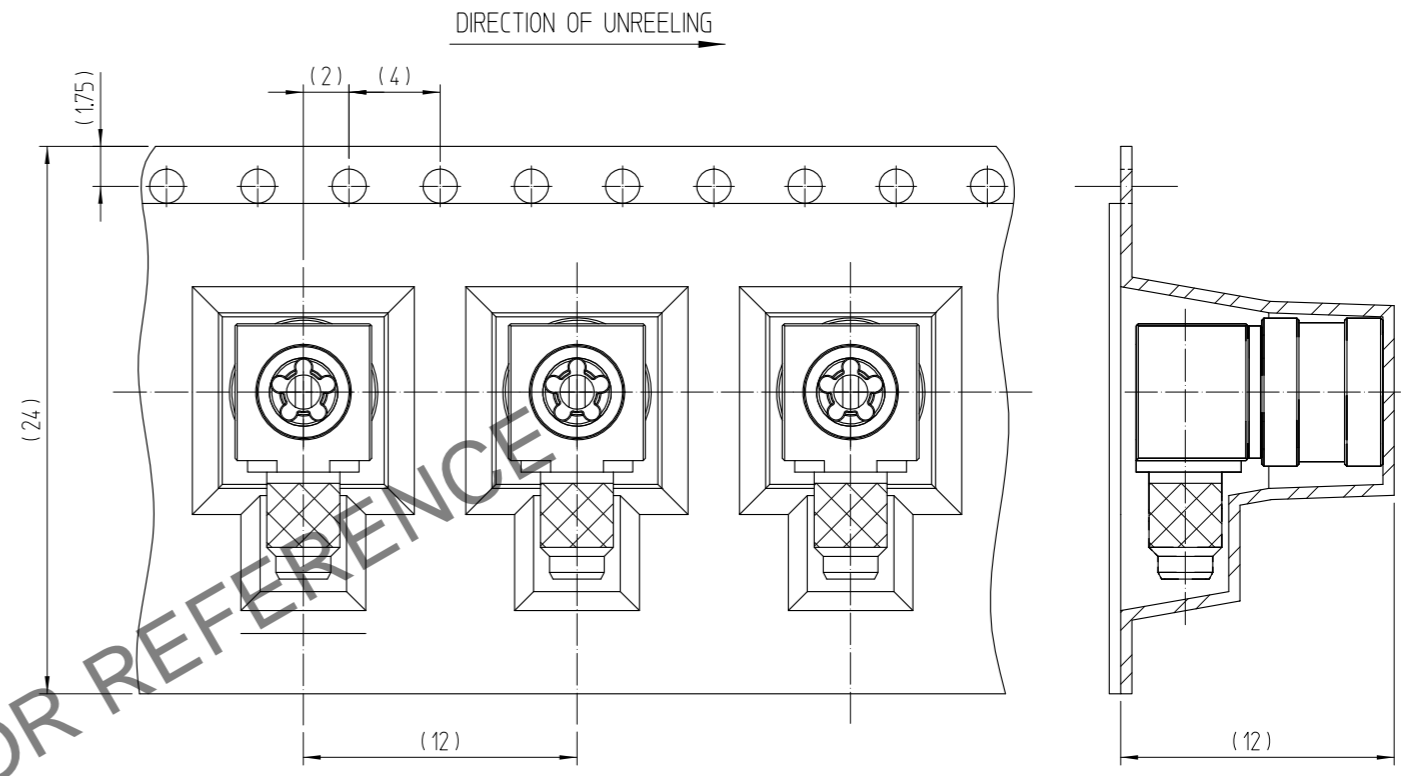
NOTES:

- ① Deliver the parts instructed to the customer separately from the assembly.
Product Name : POK19-LP-1.5D HOOD(800)
Product CODE : CL 6341-0021-0-800
 - ② Deliver the parts instructed to the customer separately from the assembly.
Product Name : POK15-P-1.5D SLEEVE(800)
Product CODE : CL 6341-0011-7-800
 - 3 : THE QUANTITY OF POK19-LP-1.5D PLUG IS 100 CONNECTORS PER REEL.
 - 4 : USE ALL PRODUCTS WITHIN 6 MONTHS AFTER THE DELIVERY.
- STORE THIS IN MANUFACTURER'S PACKAGE OR TIGHTLY RE-CLOSED BOX WITH THE FOLLOWING CONDITIONS, CHECK THE TERMINAL SOLDERABILITY BEFORE USE IF THE PRODUCT HAS BEEN STORED FOR MORE THAN 6 MONTHS.

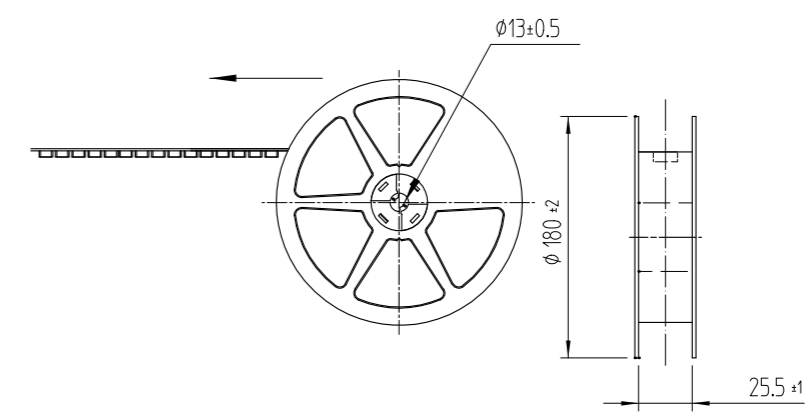
TEMPERATURE : -10°C TO +50°C
HUMIDITY : 15 TO 85% RH.

| △數 COUNT | 訂正事項 DISCRIPTION OF REVISIONS | 擔當 B | 檢圖 CHKD | 年月日 DATE | △數 COUNT | 訂正事項 DISCRIPTION OF REVISIONS | 擔當 B | 檢圖 CHKD | 年月日 DATE |
|-------------|----------------------------------|---------|------------|-------------|-------------|----------------------------------|---------|------------|-------------|
| △ | | | | | △ | | | | |
| △ | | | | | △ | | | | |
| △ | | | | | △ | | | | |

EMBOSSED TAPING DRAWING(3:1)



REEL DRAWING(SCALE : FREE)



MATERIAL: PS(WHITE)

| | | | | | |
|-------------------------|----------|----------------|----------------------------------|------------------|----------------|
| 7 | COPPER | NICKEL PLATING | 8 | COPPER | NICKEL PLATING |
| 5 | COPPER | GOLD PLATING | 6 | COPPER | NICKEL PLATING |
| 3 | NYLON | (COLOR: BLACK) | 4 | COPPER | NICKEL PLATING |
| 1 | COPPER | NICKEL PLATING | 2 | BERYLLIUM COPPER | NICKEL PLATING |
| NO. | MATERIAL | FINISH,REMARKS | NO. | MATERIAL | FINISH,REMARKS |
| CODE NO. (OLD) | | | DRAWN | DESIGNED | CHECKED |
| | | | G.S CHOI | G.S CHOI | H.S KIM |
| | | | 20.09.03 | 20.09.03 | 20.09.03 |
| | | | APPROVED | RELEASED | |
| | | | H.S KIM | H.S KIM | ENG |
| | | | 20.09.03 | 20.09.03 | 20.09.03 |
| | | | DEPT | | |
| DRAWING NO. EDC3-633121 | | | PART NO. POK19-LP-1.5D PLUG(895) | | |
| SCALE 7:1 | | | CODE NO. CL 6341-0020-8-895 | | |
| UNITS mm | | | HRS HIROSE KOREA CO.,LTD. | | |
| | | | | | 1/2 |

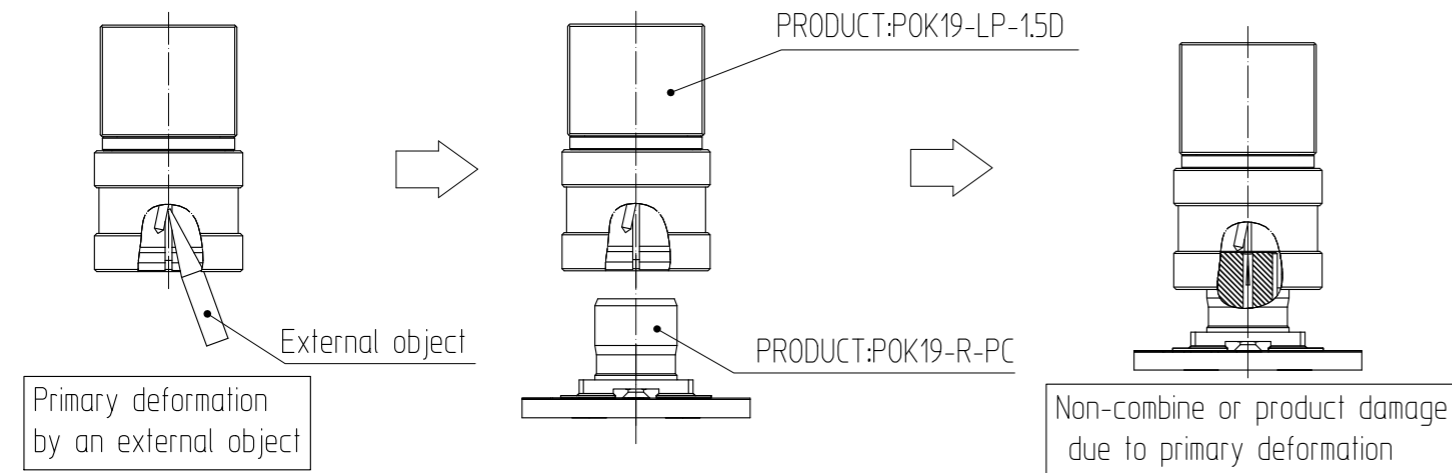
1 2 3 4 5 6 7 8

Apr.1.2024 Copyright 2024 HIROSE ELECTRIC CO., LTD. All Rights Reserved.
In case of consideration for using Automotive equipment / device which demand high reliability, kindly contact our sales window correspondents.

1. POK19-LP-1.5D ※Handling notice

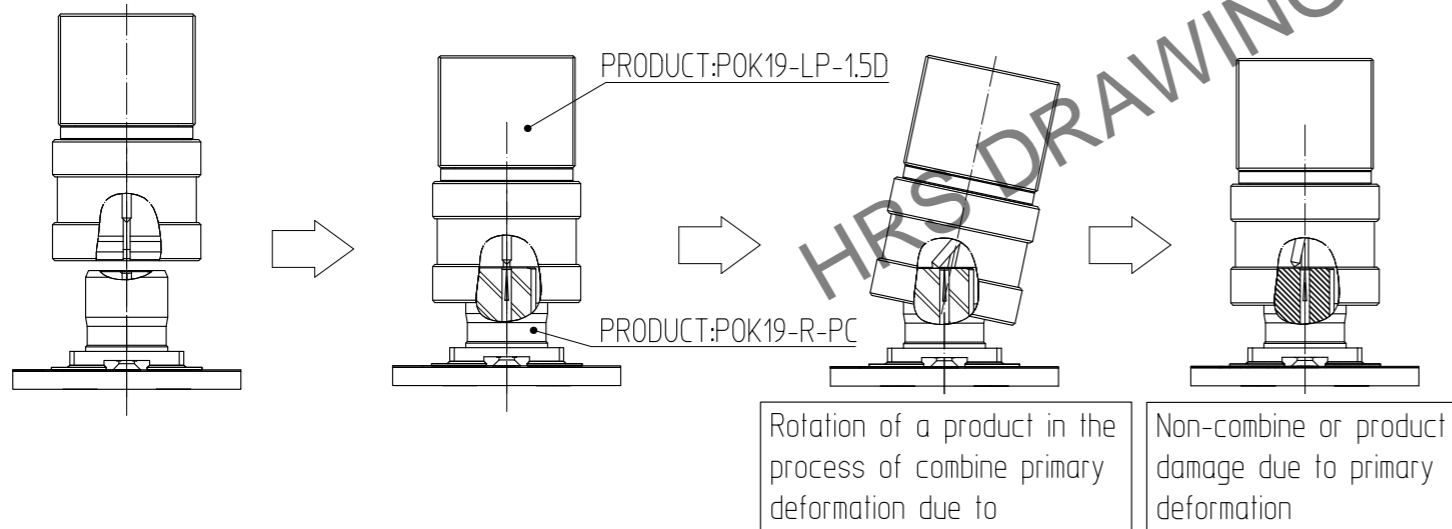
① Note the contact deformation of 'POK19-LP-1.5D' due to external objects.

When contact is deformed and 'POK19-R-PC' is combined by contact deformation It can be a cause lose of function /not be combined/product damage (Including counterparties).

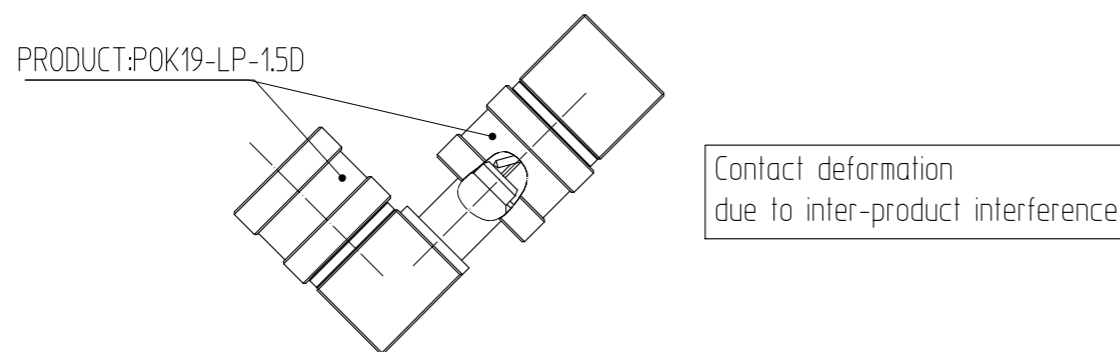


② When 'POK19-LP-1.5D' and 'POK19-R-PC' combine, there shall be no rotation.

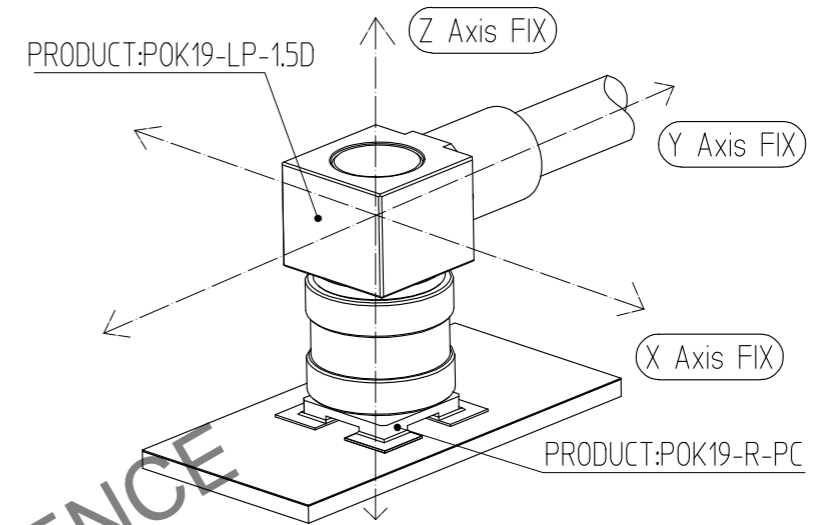
If the rotation of 'POK19-LP-1.5D' or 'POK19-R-PC' occurs in the process of coupling, contact is deformed. Contact deformation can be a cause lose of function/ not be combined/product damage (Including counterparties).



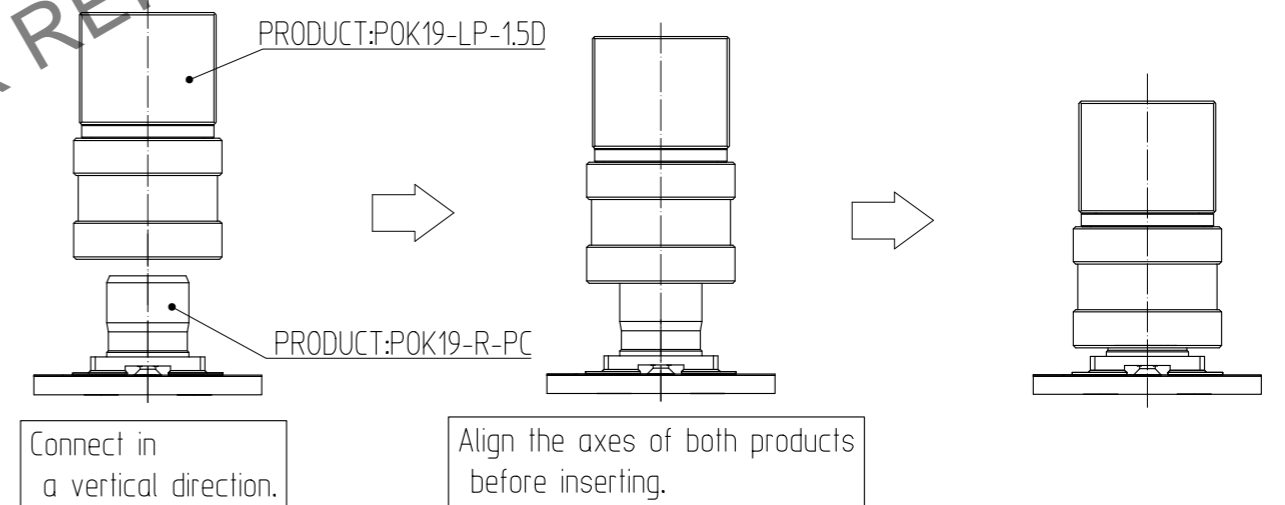
③ When handling two or more 'POK19-LP-1.5D', be careful of contact deformation due to interference.



④ When using a combination of 'POK19-LP-1.5D' and 'POK19-R-PC', It is recommended to use JIG separately to maintain the coupling against external vibrations and shocks and to prevent move of the product.

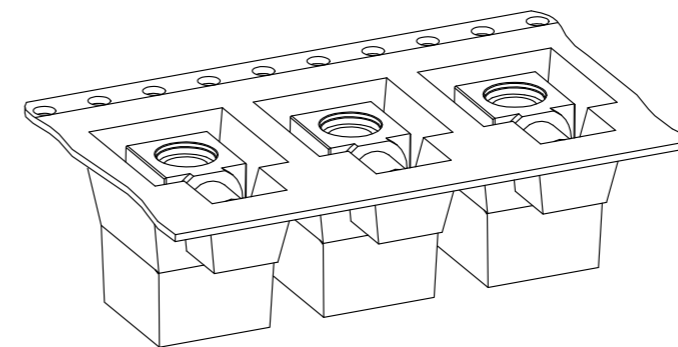


※Recommended method of coupling



Connect in a vertical direction.

Align the axes of both products before inserting.



When not using the 'POK19-LP-1.5D' product, it is recommended that it be stored packaged to prevent product deformation.

| | | | |
|---------------------------|---------------------------|----------------------------------|---------|
| SCALE 7:1 UNITS mm | DRAWING NO. EDC3-633121 | PART NO. POK19-LP-1.5D PLUG(895) | 2/2 |
| | HIROSE KOREA CO.,LTD. | CODE NO. CL 6341-0020-8-895 | |