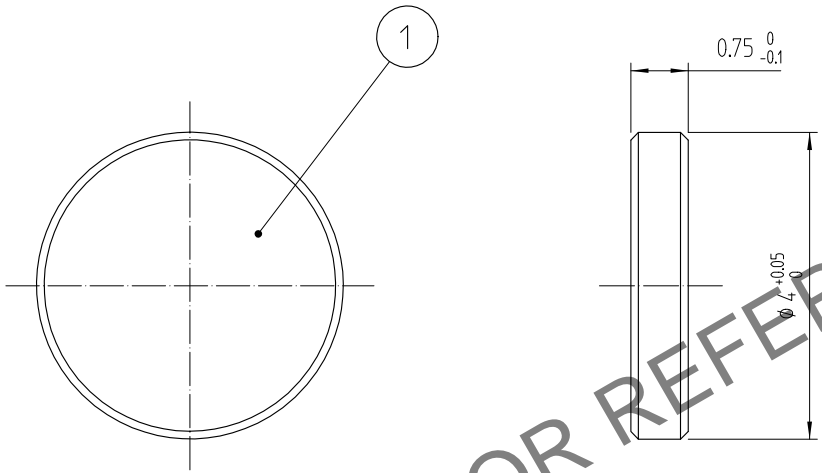


Apr.1.2024 Copyright 2024 HIROSE ELECTRIC CO., LTD. All Rights Reserved.
 In case of consideration for using Automotive equipment / device which demand high reliability, kindly contact our sales window correspondents.

1	2			3			4						
COUNT	DISCRPTION OF REVISIONS			B Y	CHKD	DATE	COUNT	DISCRPTION OF REVISIONS			B Y	CHKD	DATE
△						. . .	△						. . .
△						. . .	△						. . .
△						. . .	△						. . .



HRS DRAWING FOR REFERENCE

1	COPPER	NICKEL PLATING						
NO.	MATERIAL	FINISH . REMARKS		NO.	MATERIAL	FINISH . REMARKS		
				DRAWN	DESINGED	CHECKED	APPROVED	RELEASED
				G.S CHOI	G.S CHOI	D.G KIM	H.S KIM	
				20.05.29	20.05.29	20.05.29	20.05.29	
		DRAWING NO.			PART NO.			
SCALE 5:1		EDC4-633118			POK19-LP-1.5D HOOD(800)			
UNITS mm		HIROSE KOREA CO.,LTD.			CODE NO.			1/1
					CL 6341-0021-0-800			