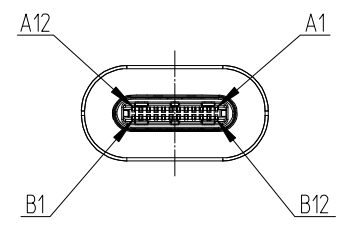
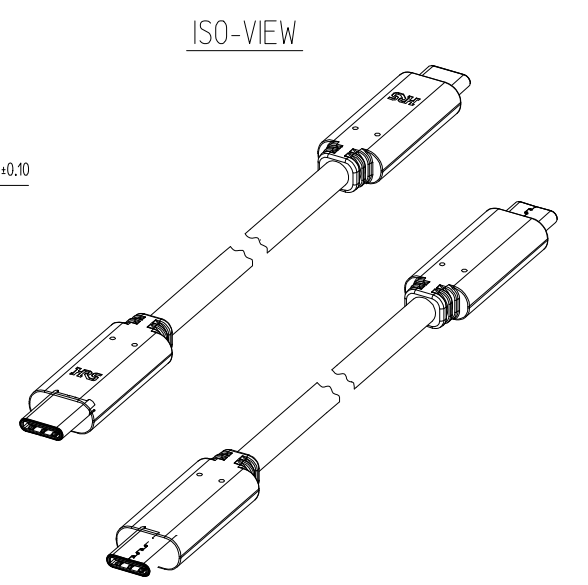
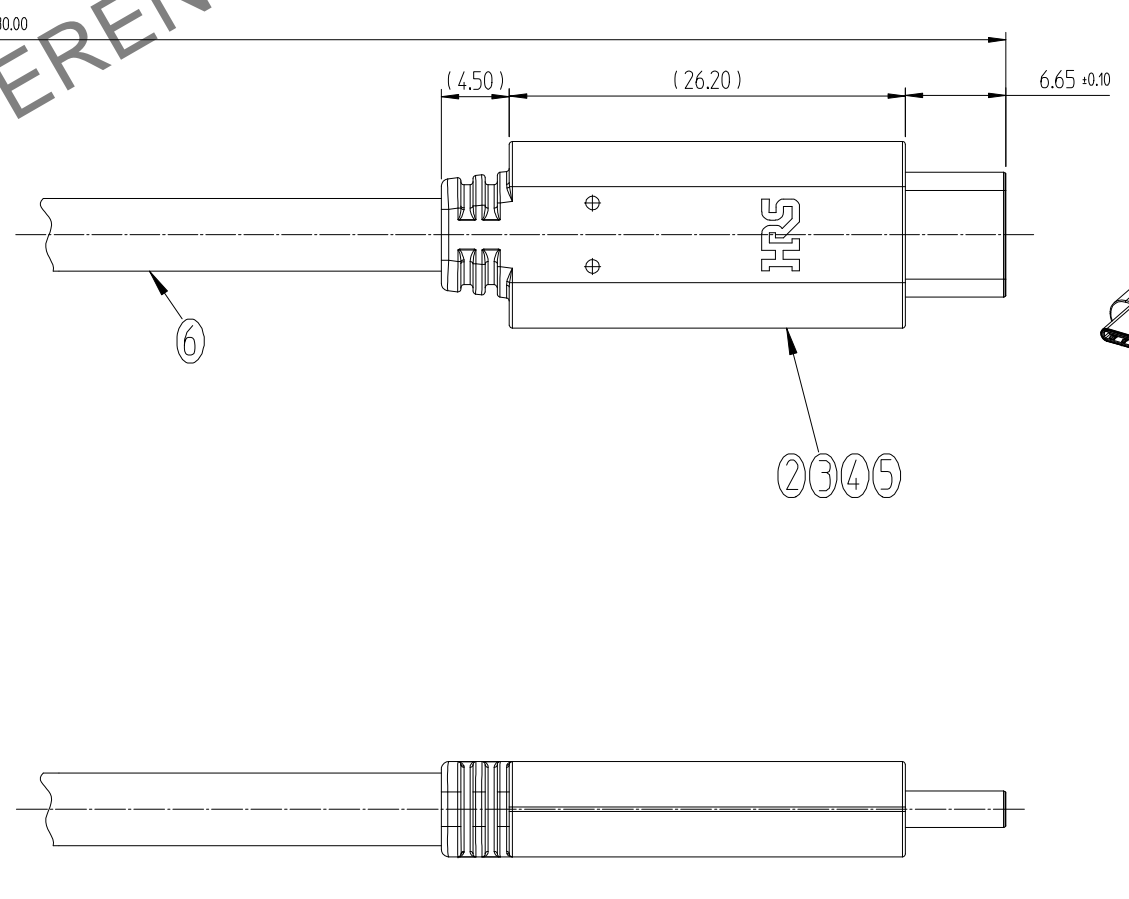
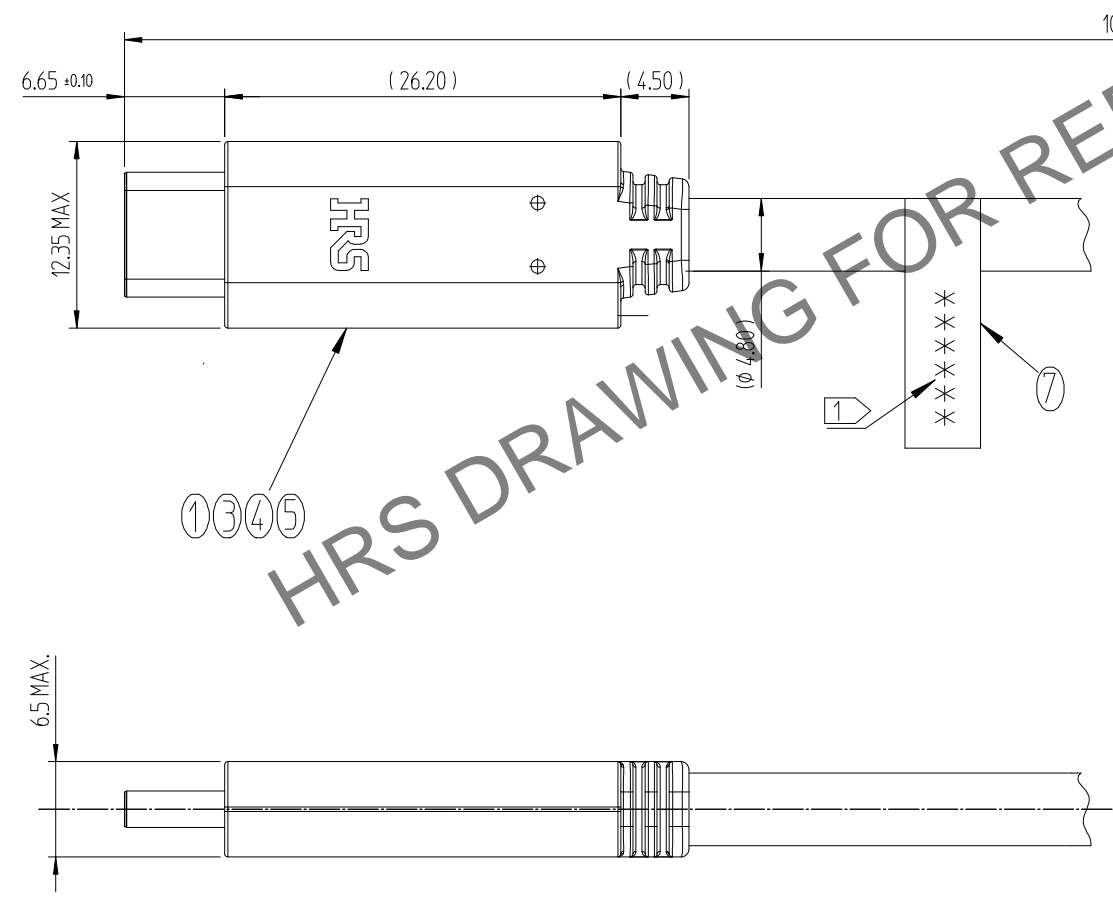


May.1.2024 Copyright 2024 HIROSE ELECTRIC CO., LTD. All Rights Reserved.  
In case of consideration for using Automotive equipment / device which demand high reliability, kindly contact our sales window

△數 COUNT	訂正事項 DESCRIPTION OF REVISIONS	擔當 B	檢圖 CHKD	年月日 DATE	△數 COUNT	訂正事項 DESCRIPTION OF REVISIONS	擔當 B	檢圖 CHKD	年月日 DATE
△				..	△				..
△				..	△				..
△				..	△				..



NOTE

① LOT NO.      ① : Years      ④ : Factory  
                          ② : Month      ⑤ : Line No.  
                          ③ : Day      ⑥ : Lot No.

21 2 20 AS C 1

2. PIN ASSIGNMENT

A12	A11	A10	A9	A8	A7	A6	A5	A4	A3	A2	A1
GND	RX2+	RX2-	Vbus	SBU1	D-	D+	CC	Vbus	TX1-	TX1+	GND
GND	TX2+	TX2-	Vbus	VCONN	Dummy	Dummy	SBU2	Vbus	RX1-	RX1+	GND
B1	B2	B3	B4	B5	B6	B7	B8	B9	B10	B11	B12

7	LABEL	-	1
6	CABLE	COAXIAL CABLE	1
5	OUTER MOLD	TPE(BLACK)	2
4	INNER MOLD	PE(BLACK)	2
3	SHIELD	CX60-SLDA	2
2	PCBA2	CX60-24S-UNIT, PCB, CAPACITOR	1
1	PCBA1	CX60-24S-UNIT, PCB, CAPACITOR, E-MARKER	1
NO.	PART NAME	COMPONENTS	Q' TY
			DRAWN D.G.PYO 21.01.19
			DESIGNED S.K.JANG 21.01.19
			CHECKED H.J.LEE 21.01.19
			APPROVED H.J.LEE 21.01.19
			RELEASED ENG 2102.03 DEPT
DRAWING NO. EDC3-633244-00		PART NO. CX60-24S-1000-C1	
SCALE 2:1 UNITS mm		CODE NO. CL 6242-0001-1-000	
<b>HRS</b> HIROSE KOREA CO.,LTD.		1/1	