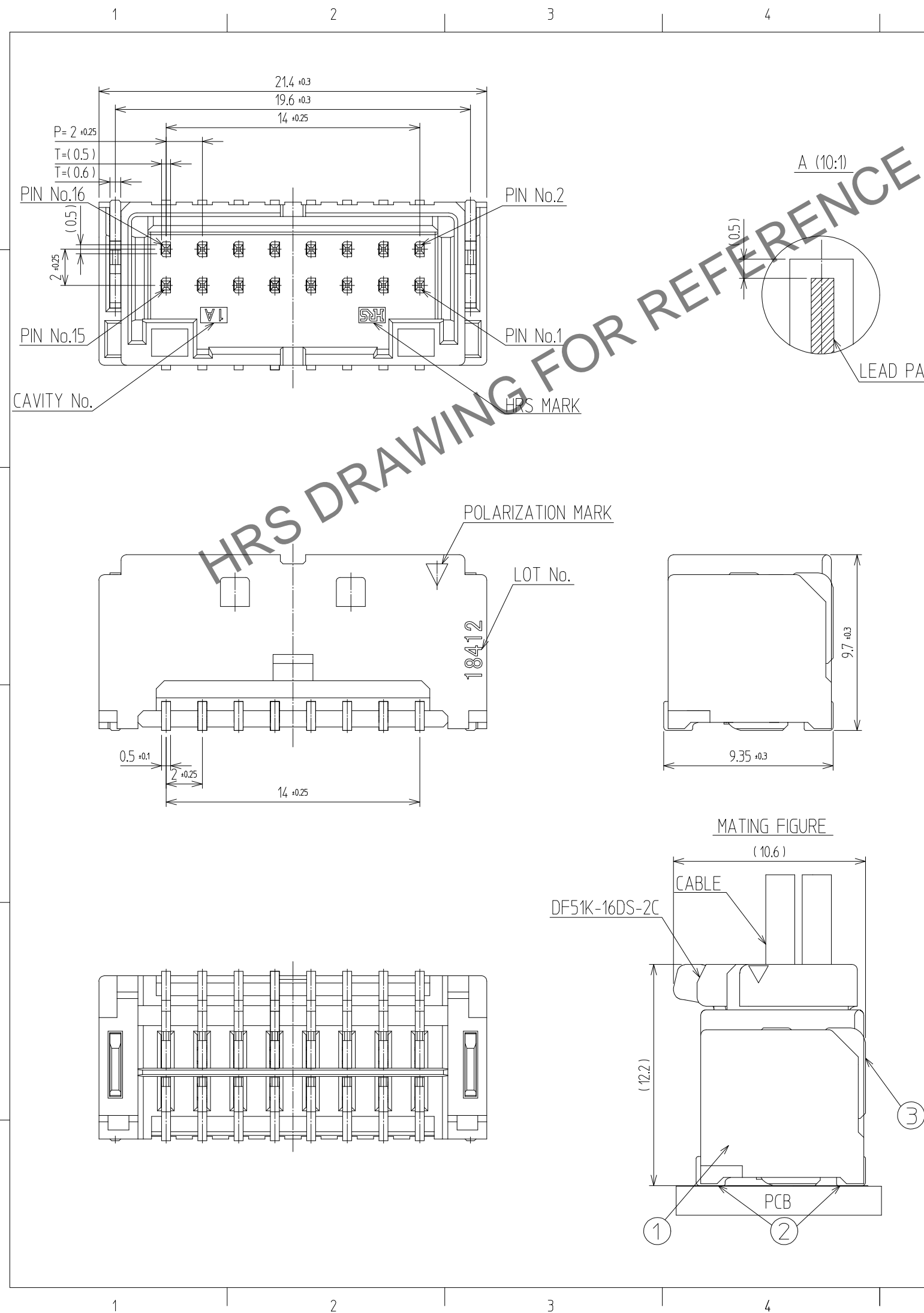
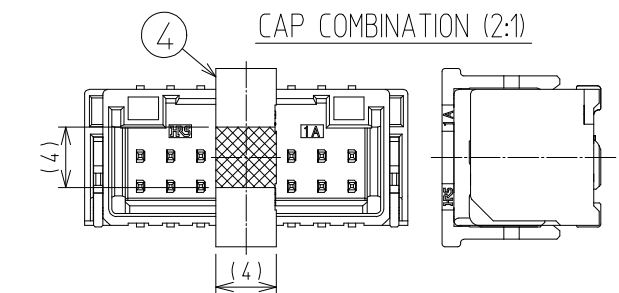
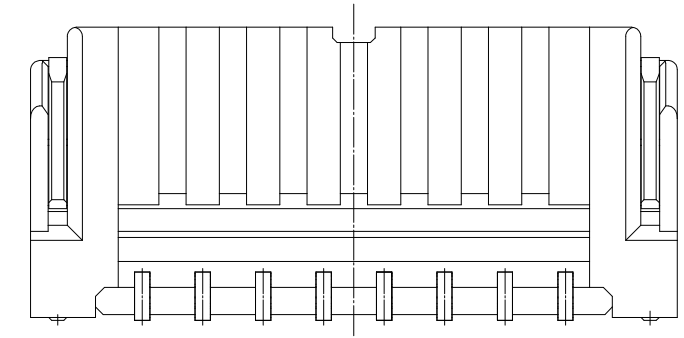
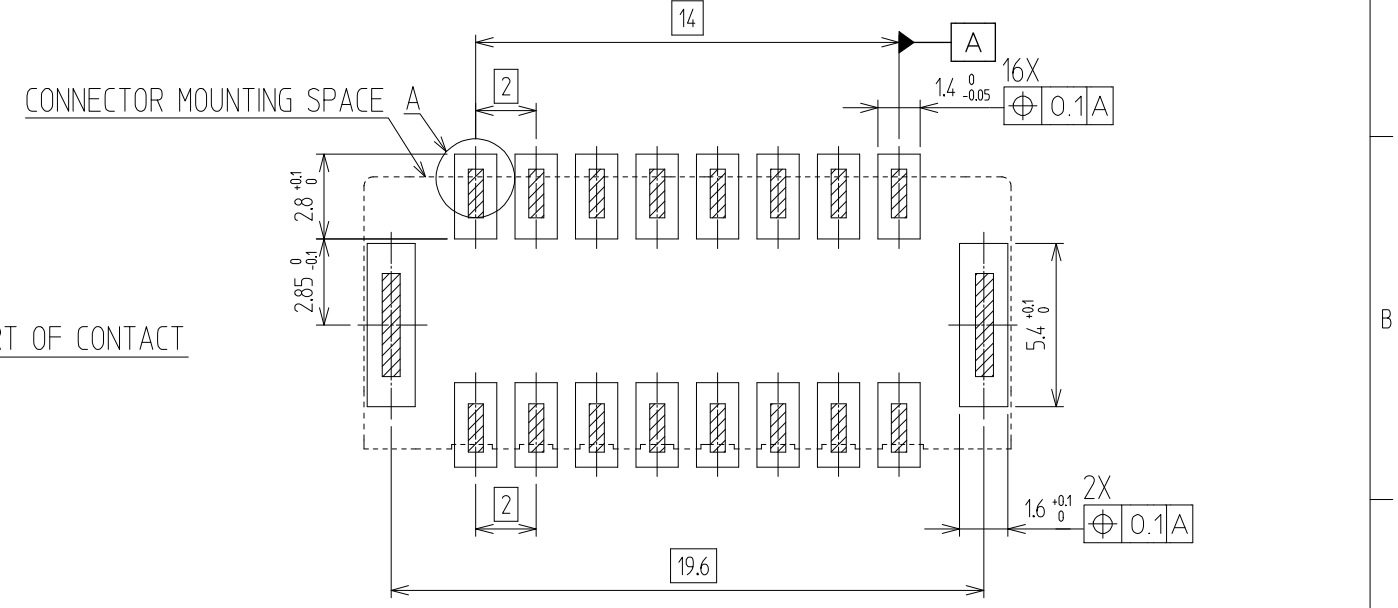


Apr.1.2024 Copyright 2024 HIROSE ELECTRIC CO., LTD. All Rights Reserved.
In case of consideration for using Automotive equipment / device which demand high reliability, kindly contact our sales window



△數 COUNT	訂正事項 DISCUSSION OF REVISIONS	擔當 B	檢圖 CHKD	年月日 DATE	△數 COUNT	訂正事項 DISCUSSION OF REVISIONS	擔當 B	檢圖 CHKD	年月日 DATE
1	RE-6-3383	K.H.R	L.S.M	24. 01. 16					

RECOMMENDED PCB LAYOUT(Top-View)



- NOTE
- SOLDERING TEMPERATURE : 250°C PEAK, 10sec MAX.
 - OPERATING TEMPERATURE : -55°~105°C
 - USED REFLOW SYSTEM : IN THE AIR OR NITROGEN
 - NO. OF CYCLES : 2 MAX
 - MATING PART
FEMALE : DF51K-16DS-2C
 - CO-PLANARITY : 0.12 MAX.
 - RECOMMENDED PCB THICKNESS IS 1.6mm.
 - RECOMMENDED SOLDER THICKNESS IS 0.15mm
 - UL(File No. E132750) AUTHORIZATION ARTICLE.
C-UL(File No. E132750) AUTHORIZATION ARTICLE.

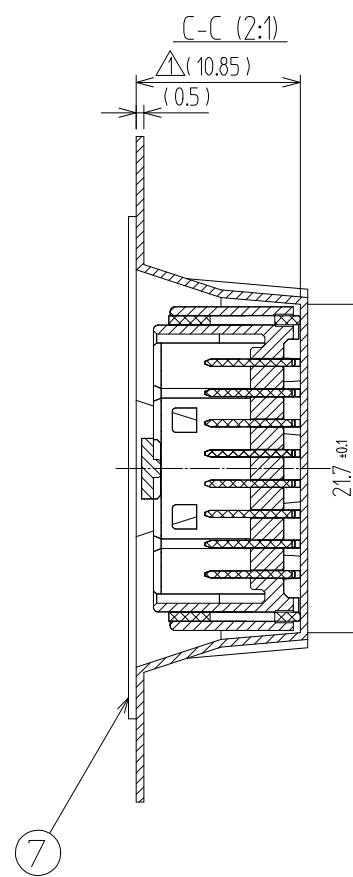
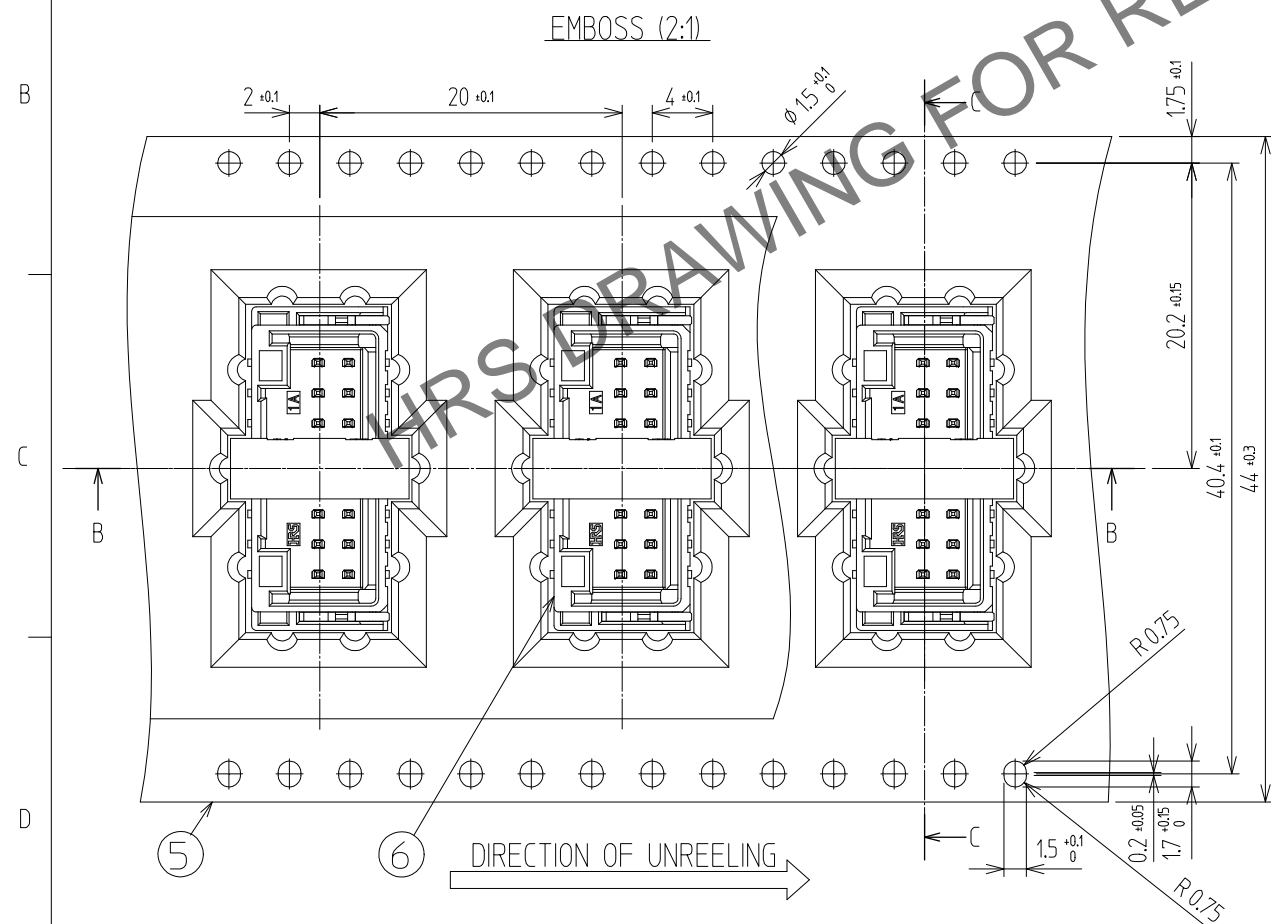


4	LCP	BLACK	8	PS	REEL BOBBIN	
3	BRASS	TIN PLATED : 1µm MIN UNDER PLATING : NICKEL 1µm MIN	7	PET	COVER TAPE	
2	BRASS	CONTACT AREA : GOLD 0.1µm MIN SMT LEAD : GOLD 0.05µm MIN UNDER PLATING : NICKEL 1µm MIN	6	CONNECTOR	DF51K-16DP-2V	
1	LCP	BLACK	5	PS	EMBOSS CARRIER TAPE	
NO.	MATERIAL	FINISH,REMARKS	NO.	MATERIAL	FINISH,REMARKS	
CODE NO. (OLD)		DRAWN	DESIGNED	CHECKED	APPROVED	RELEASED
		CHO 23.07.05 J.S	CHO 23.07.05 J.S	LIM 23.07.05 S.M	LIM 23.07.05 S.M	
DRAWING NO. EDC3-633523			PART NO. DF51K-16DP-2V(805)			
SCALE 4:1 UNITS mm			CODE NO. CL 6652-0077-3-805		1/2	
HRS HIROSE KOREA CO.,LTD.						

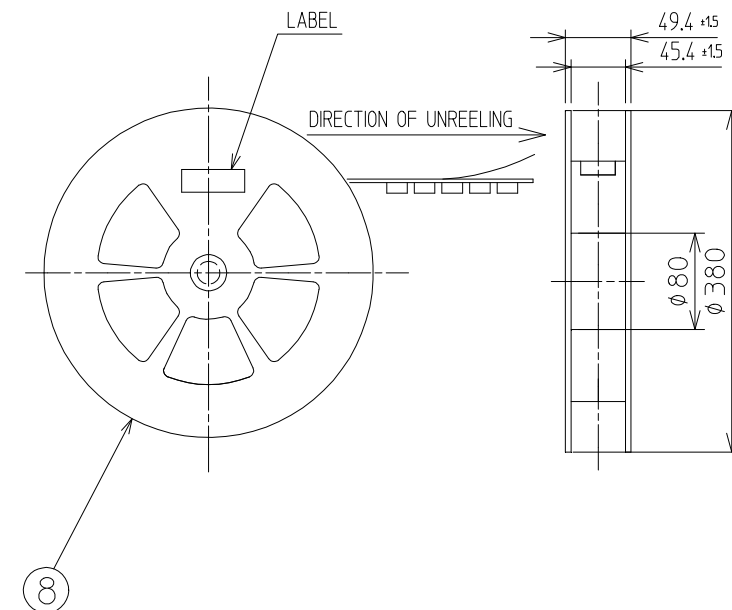
Apr.1.2024 Copyright 2024 HIROSE ELECTRIC CO., LTD. All Rights Reserved.
In case of consideration for using Automotive equipment / device which demand high reliability, kindly contact our sales window

PACKING STYLE

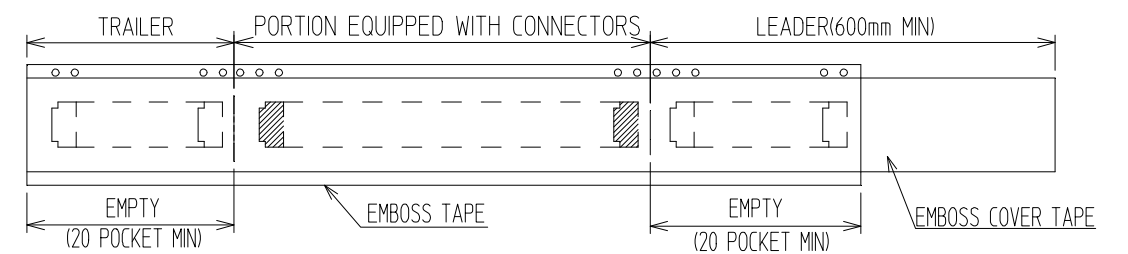
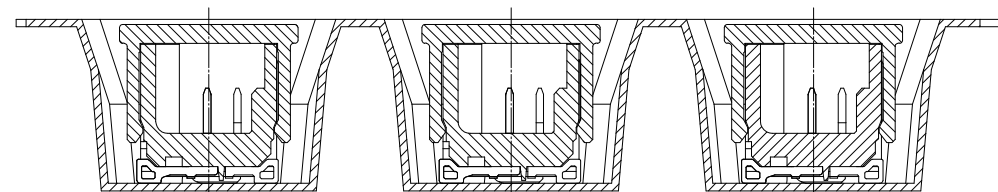
PACKING STYLE DRAWING



REEL DIMENSION (FREE)



B-B (2:1)



 SCALE 4:1 UNITS mm	DRAWING NO. EDC3-633523	PART NO. DF51K-16DP-2V(805)	2/2
	 HIROSE KOREA CO.,LTD.	CODE NO CL 6652-0077-3-805	