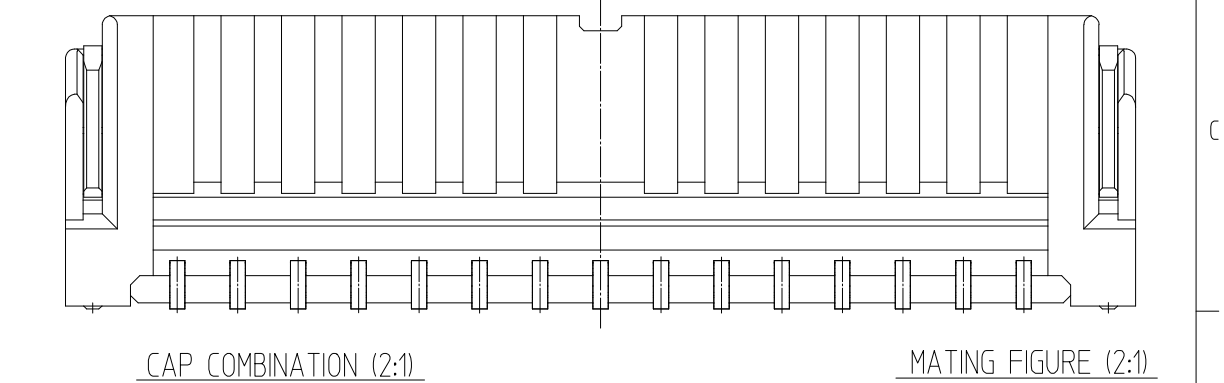
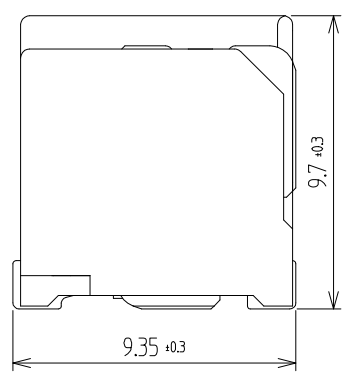
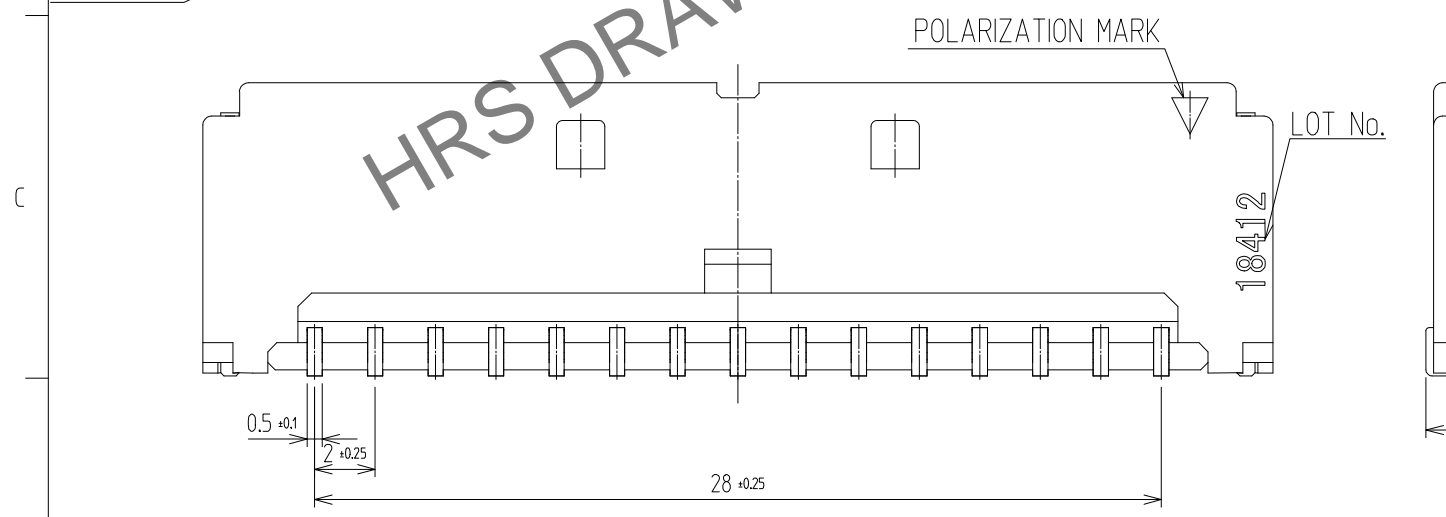
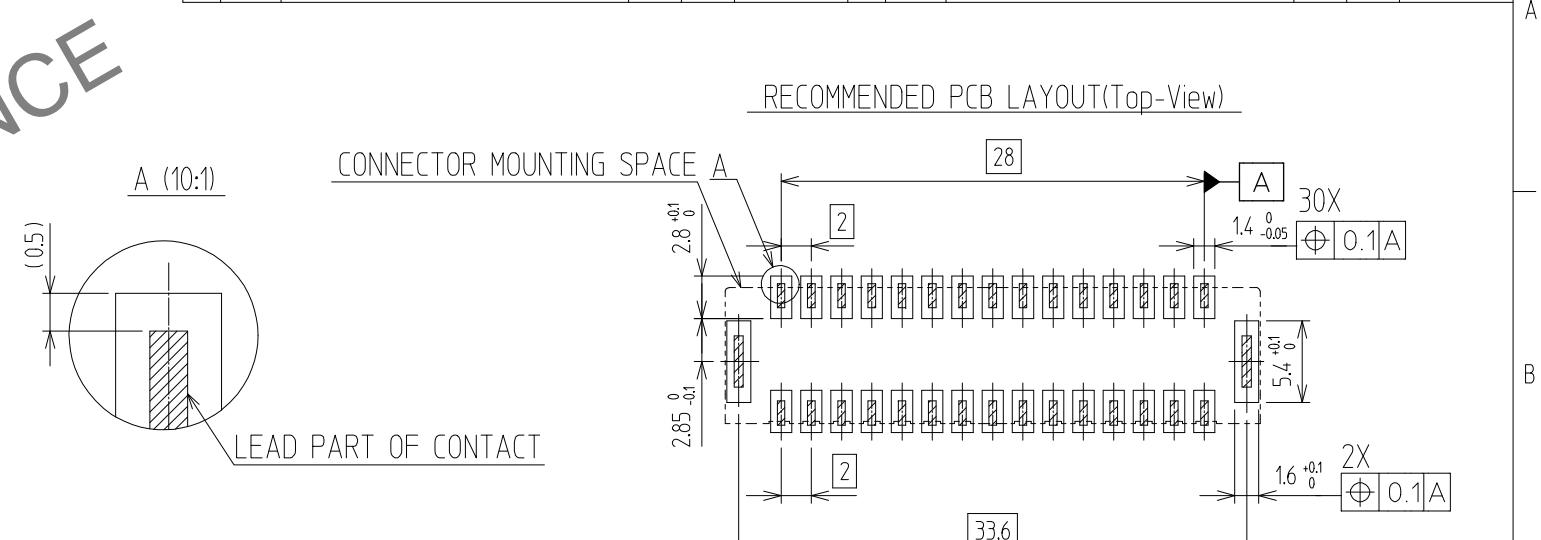
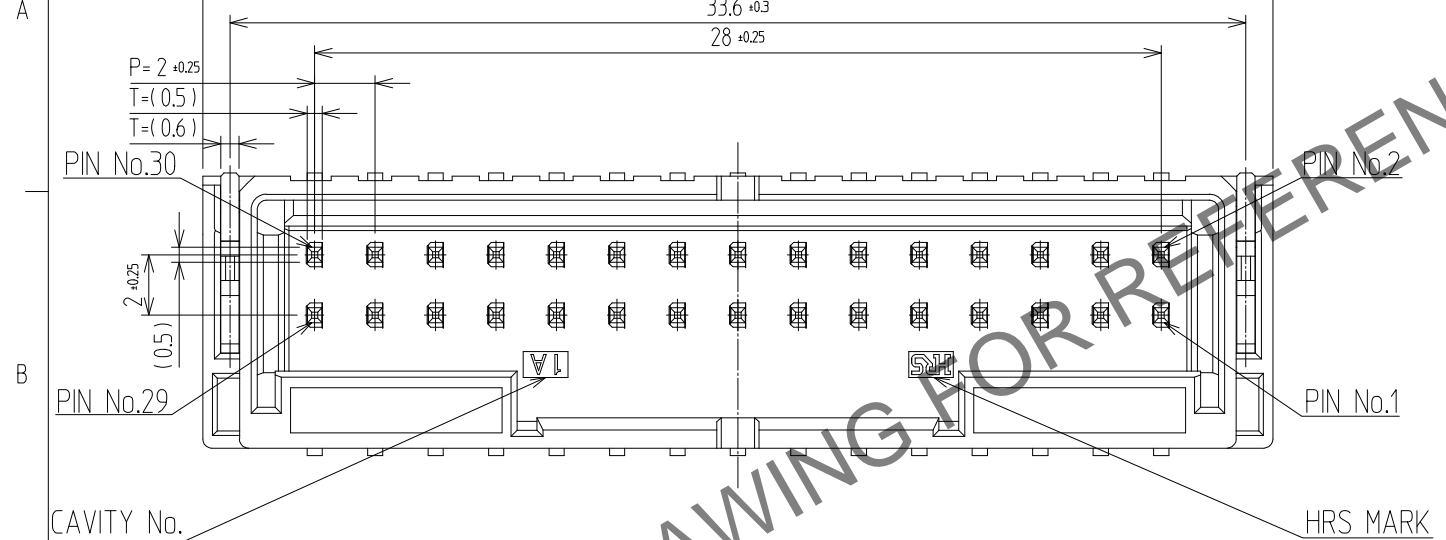


In case of consideration for using Automotive equipment / device which demand high reliability, kindly contact our sales window.

△數 COUNT	訂正事項 DISCUSSION OF REVISIONS	擔當 B	檢圖 CHKD	年月日 DATE	△數 COUNT	訂正事項 DISCUSSION OF REVISIONS	擔當 B	檢圖 CHKD	年月日 DATE
△					△				
△					△				
△					△				

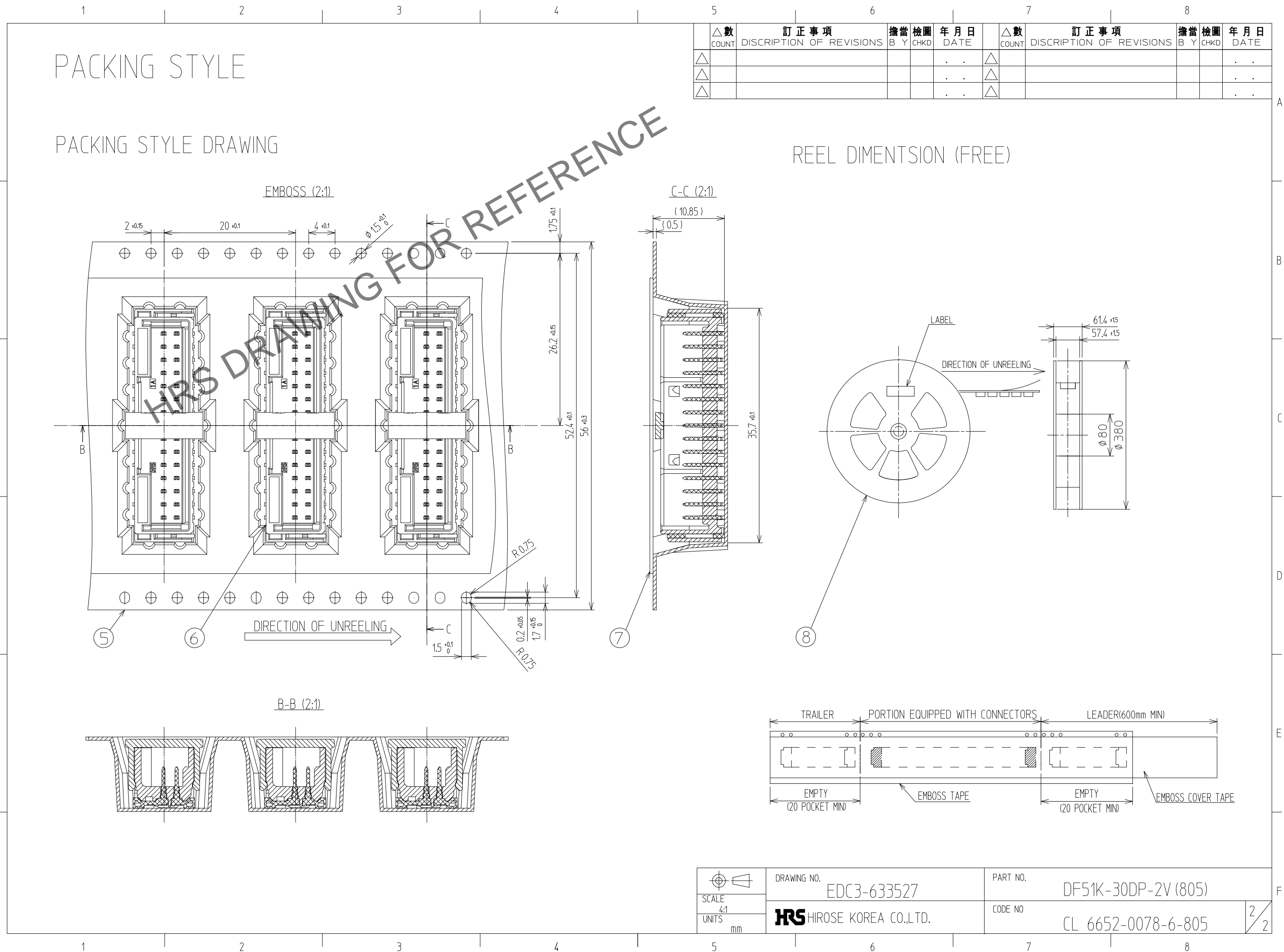


- NOTE
- SOLDERING TEMPERATURE : 250°C PEAK, 10sec MAX.
  - OPERATING TEMPERATURE : -55~105°C
  - USED REFLOW SYSTEM : IN THE AIR OR NITROGEN
  - NO. OF CYCLES : 2 MAX
  - MATING PART  
FEMALE : DF51K-30DS-2C
  - CO-PLANARITY : 0.12 MAX.
  - RECOMMENDED PCB THICKNESS IS 1.6mm.
  - RECOMMENDED SOLDER THICKNESS IS 0.15mm
  - UL(File No. E132750) AUTHORIZATION ARTICLE.  
C-UL(File No. E132750) AUTHORIZATION ARTICLE.



4	LCP	BLACK	8	PS	REEL BOBBIN
3	BRASS	TIN PLATED : 1μm MIN UNDER PLATING : NICKEL 1μm MIN	7	PET	COVER TAPE
2	BRASS	CONTACT AREA : GOLD 0.1μm MIN SMT LEAD : GOLD 0.05μm MIN UNDER PLATING : NICKEL 1μm MIN	6	CONNECTOR	DF51K-30DP-2V
1	LCP	BLACK	5	PS	EMBOSS CARRIER TAPE
NO.	MATERIAL	FINISH,REMARKS	NO.	MATERIAL	FINISH,REMARKS
CODE NO. (OLD)			DRAWN	DESIGNED	CHECKED
			CHO 23.07.05 J.S	CHO 23.07.05 J.S	LIM 23.07.05 S.M
DRAWING NO. EDC3-633527			PART NO. DF51K-30DP-2V(805)		
SCALE 4:1			CODE NO. CL 6652-0078-6-805		
UNITS mm			HRS HIROSE KOREA CO.,LTD.		
					1/2

In case of consideration for using Automotive equipment / device which demand high reliability, kindly contact our sales window.



△數 COUNT	訂正事項 DISCRIPTION OF REVISIONS	擔當 B	檢圖 Y	年月日 DATE	△數 COUNT	訂正事項 DISCRIPTION OF REVISIONS	擔當 B	檢圖 Y	年月日 DATE
△				..	△				..
△				..	△				..
△				..	△				..

 SCALE 4:1 UNITS mm	DRAWING NO. EDC3-633527	PART NO. DF51K-30DP-2V (805)	2/2
	 HIROSE KOREA CO.,LTD.	CODE NO. CL 6652-0078-6-805	