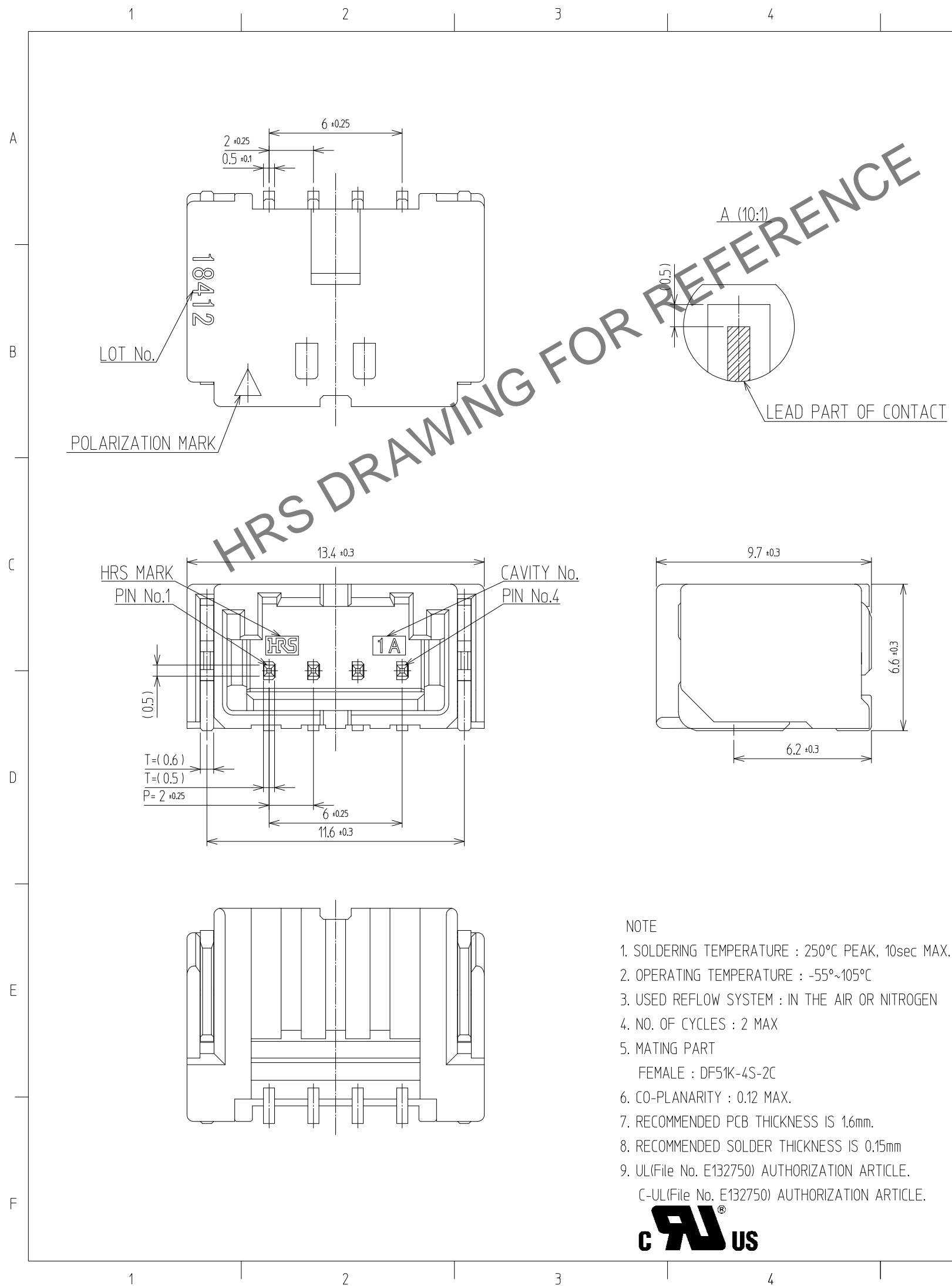


In case of consideration for using Automotive equipment / device which demand high reliability, kindly contact our sales window.

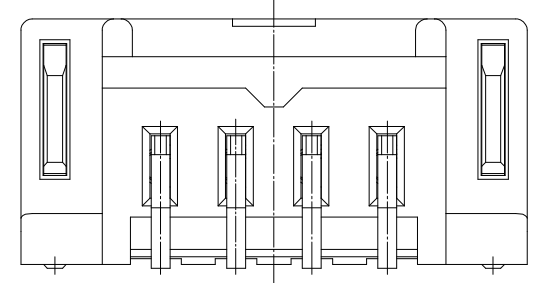
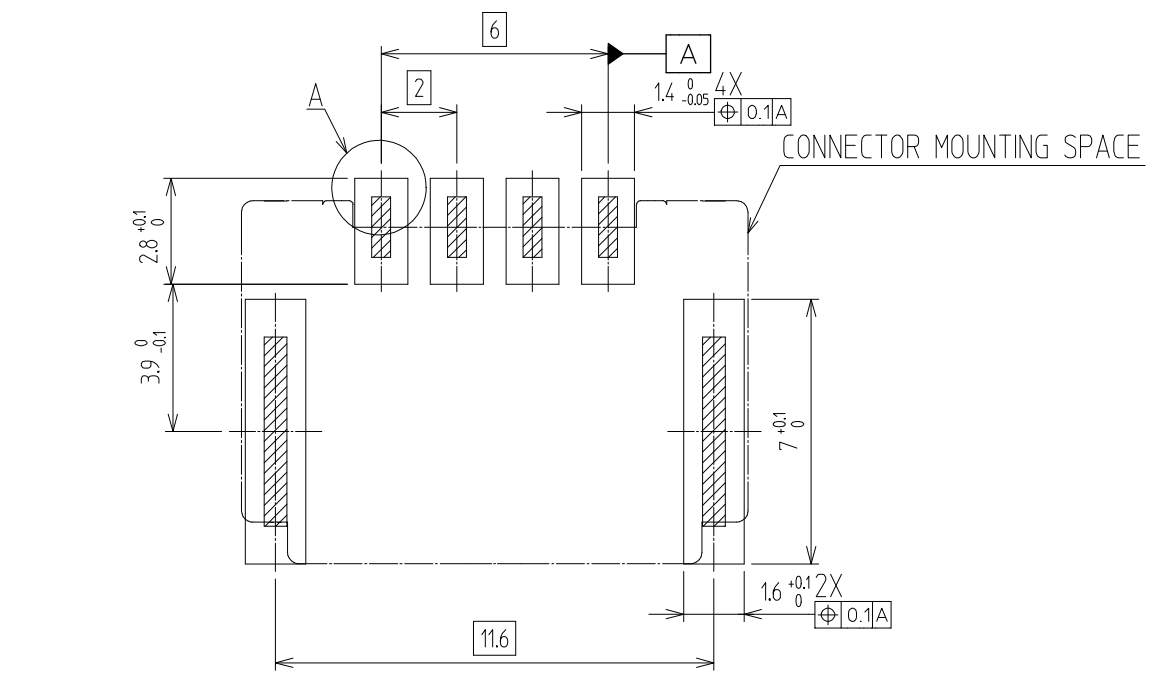


- NOTE**
- SOLDERING TEMPERATURE : 250°C PEAK, 10sec MAX.
 - OPERATING TEMPERATURE : -55°~105°C
 - USED REFLOW SYSTEM : IN THE AIR OR NITROGEN
 - NO. OF CYCLES : 2 MAX
 - MATING PART
FEMALE : DF51K-4S-2C
 - CO-PLANARITY : 0.12 MAX.
 - RECOMMENDED PCB THICKNESS IS 1.6mm.
 - RECOMMENDED SOLDER THICKNESS IS 0.15mm
 - UL(File No. E132750) AUTHORIZATION ARTICLE.
C-UL(File No. E132750) AUTHORIZATION ARTICLE.

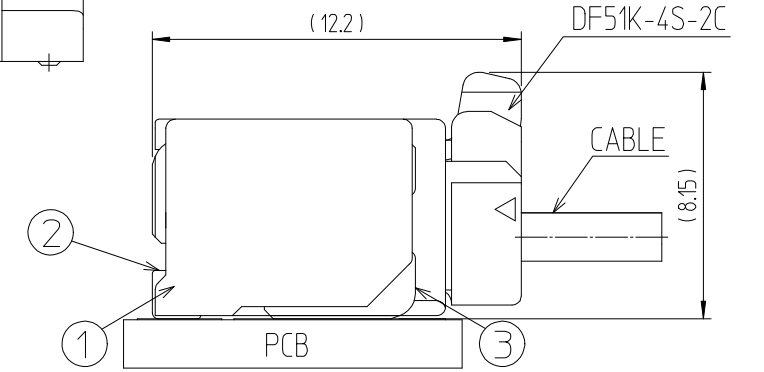


△數 COUNT	訂正事項 DESCRIPTION OF REVISIONS	擔當 B	檢圖 CHKD	年月日 DATE	△數 COUNT	訂正事項 DESCRIPTION OF REVISIONS	擔當 B	檢圖 CHKD	年月日 DATE
△					△				
△					△				
△					△				

RECOMMENDED PCB LAYOUT(Top-View)



MATING FIGURE (4:1)



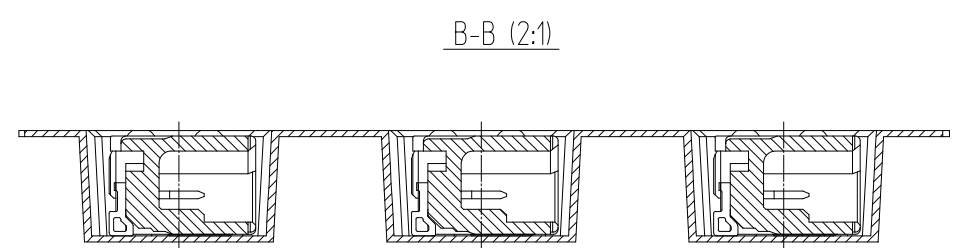
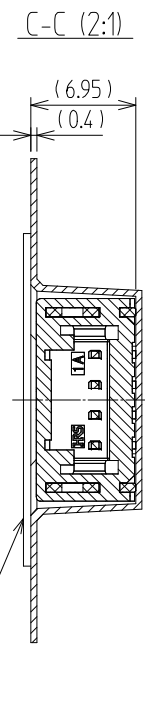
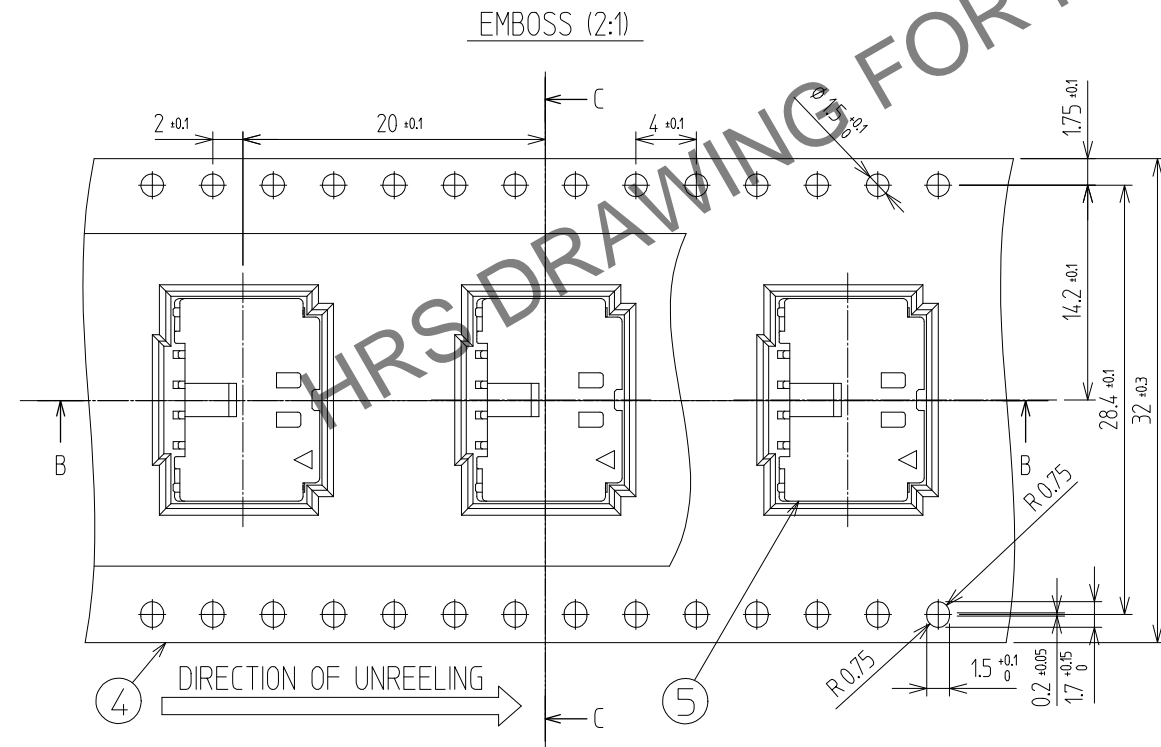
3	BRASS	TIN PLATED : 1μm MIN UNDER PLATING : NICKEL 1μm MIN	7	PS	REEL BOBBIN
2	BRASS	CONTACT AREA : GOLD 0.1μm MIN SMT LEAD : GOLD 0.05μm MIN UNDER PLATING : NICKEL 1μm MIN	6	PET	COVER TAPE
1	LCP	BLACK	5	CONNECTOR	DF51K-4P-2H
NO.	MATERIAL	FINISH,REMARKS	NO.	MATERIAL	FINISH,REMARKS
CODE NO. (OLD)			DRAWN	DESIGNED	CHECKED
			CHO 22.04.20 J.S	CHO 22.04.20 J.S	LIM 22.04.20 S.M
DRAWING NO. EDC3-633588			PART NO. DF51K-4P-2H(805)		
SCALE 5:1 UNITS mm			CODE NO. CL 6652-0088-0-805		
HRS HIROSE KOREA CO.,LTD.			1/2		



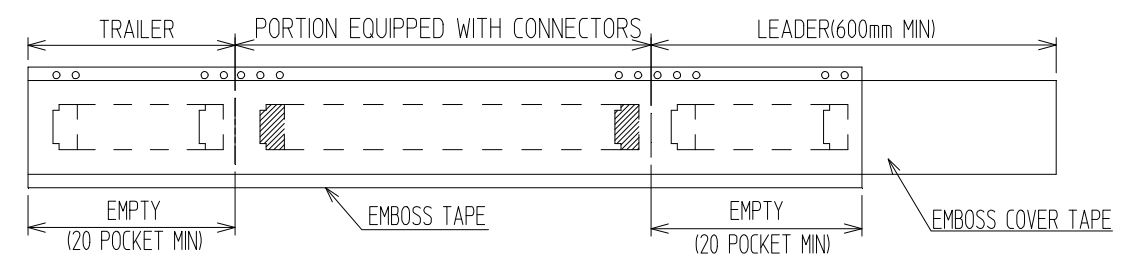
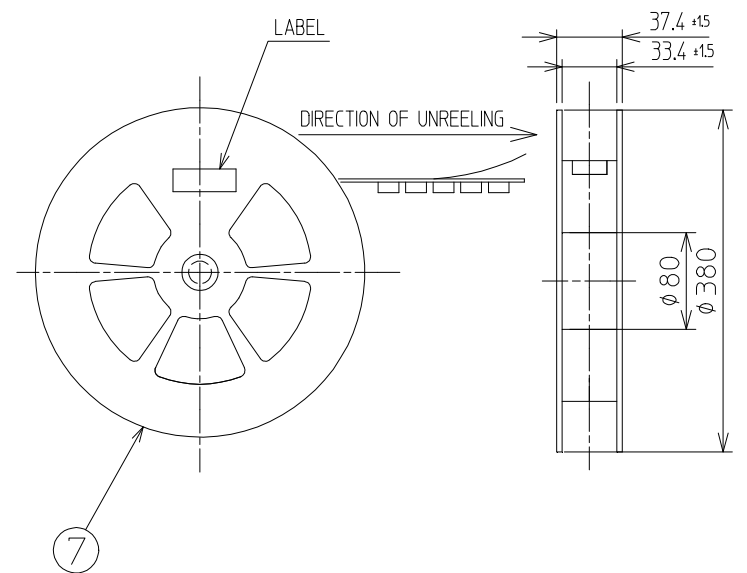
In case of consideration for using Automotive equipment / device which demand high reliability, kindly contact our sales window.

PACKING STYLE

PACKING STYLE DRAWING



REEL DIMENSION (FREE)



△數 COUNT	訂正事項 DISCRIPTION OF REVISIONS	擔當 B	檢圖 Y	年月日 DATE	△數 COUNT	訂正事項 DISCRIPTION OF REVISIONS	擔當 B	檢圖 Y	年月日 DATE
△				. . .	△				. . .
△				. . .	△				. . .
△				. . .	△				. . .

 SCALE 5:1 UNITS mm	DRAWING NO. EDC3-633588	PART NO. DF51K-4P-2H (805)	CODE NO CL 6652-0088-0-805	 2/2
	HIROSE KOREA CO.,LTD.			