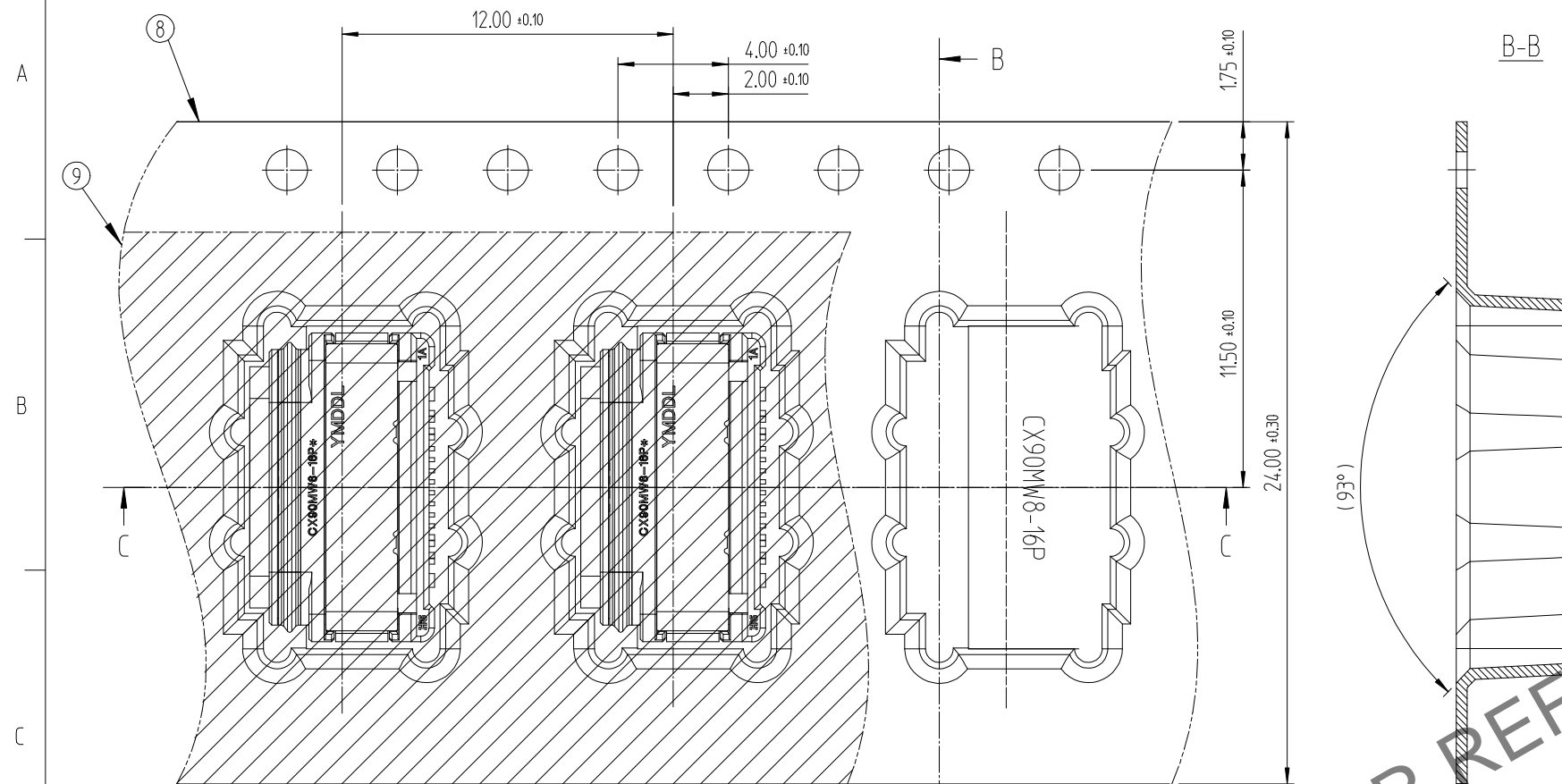


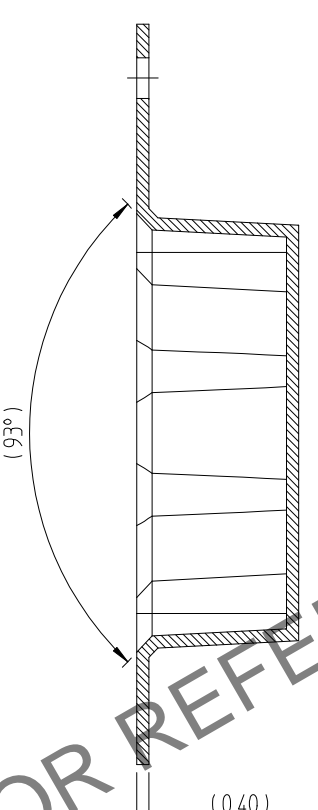
Apr.1.2024 Copyright 2024 HIROSE ELECTRIC CO., LTD. All Rights Reserved.
In case of consideration for using Automotive equipment / device which demand high reliability, kindly contact our sales window correspondents.

DRAWING FOR PACKING

DIRECTION OF UNREELING

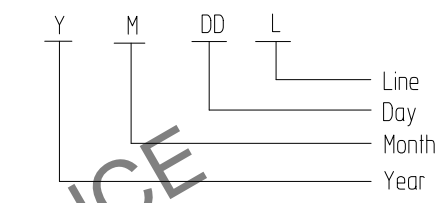


B-B



[NOTE]

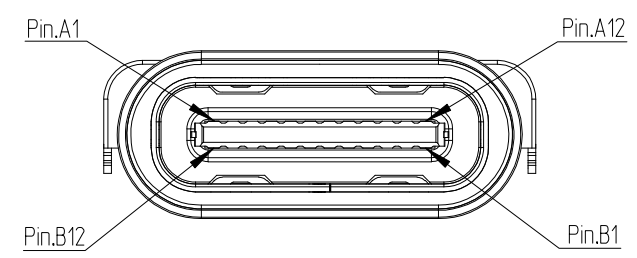
- ① Co-planarity of contact leads.
- 0.08max.before reflow, 0.10max.after reflow 2times and during reflow.
- ② Lot marking : 5 digits (YMDDL)



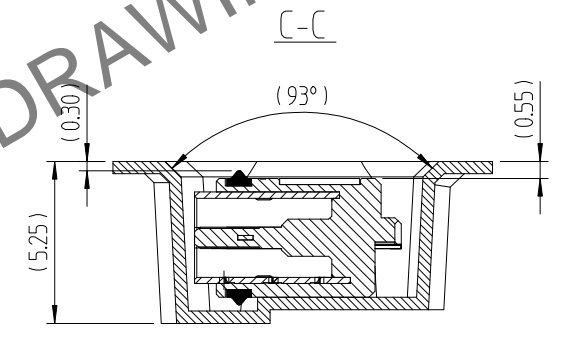
[Chart-1] LOT MARKING

Year	Month	Day	Production Line
2020	0	Jan. 1 1st 01	Sample
2021	1	Feb. 2 2nd 02	MP Manual#1
2022	2	Mar. 3 3th 03	MP Manual#2
2023	3	Apr. 4 4th 04	MP Manual#3
2024	4	May 5 5th 05	MP Manual#4
2025	5	Jun. 6 6th 06	...
2026	6	Jul. 7 7th 07	MP Auto#1
2027	7	Aug. 8 8th 08	MP Auto#2
2028	8	Sep. 9 9th 09	MP Auto#3
2029	9	Oct. A 10th 10	MP Auto#4
		Nov. B 11th 11	MP Auto#5
		Dec. C

PIN ASSIGNMENT(FRONT-VIEW)



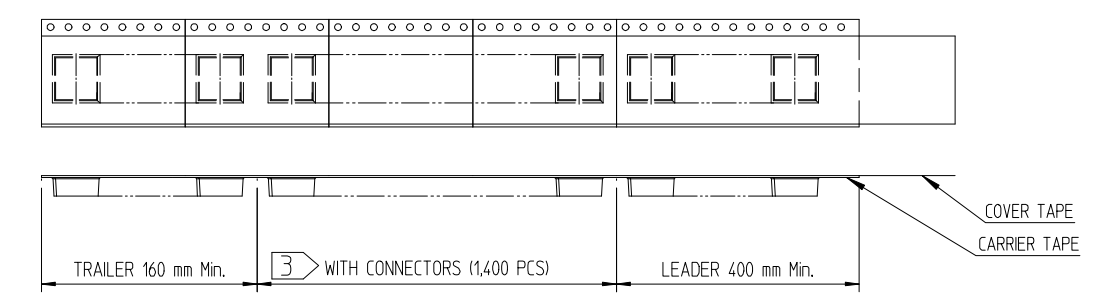
A1	A2	A3	A4	A5	A6	A7	A8	A9	A10	A11	A12
GND		Vbus	CC1	D+	D-	SBU1	Vbus				GND
GND		Vbus	SBU2	D-	D+	CC2	Vbus				GND
B12	B11	B10	B9	B8	B7	B6	B5	B4	B3	B2	B1



3. Carrier tape packing

Packing quantity : 1,400EA/REEL

Cover tape peeling force : 10~130gf(0.1~1.3N) @ 300mm/min



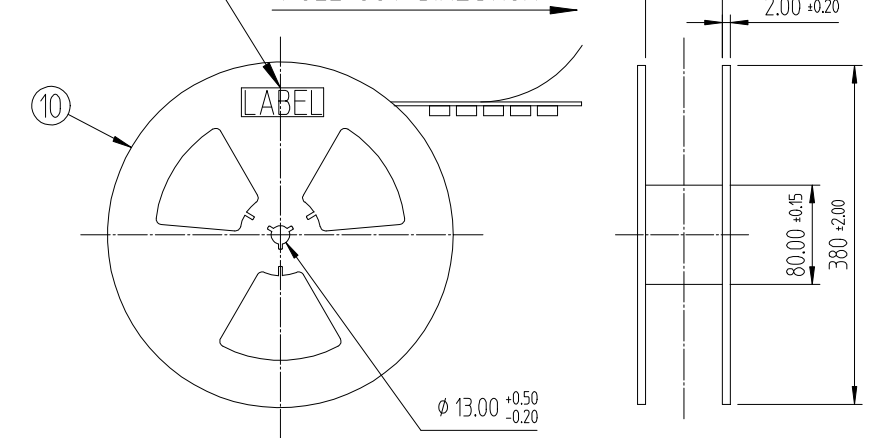
④ Pickup area

⑤ Series P/N Marking

No.	P/N	Marking	Code No.	Description
1	CX90MW8-16P	CX90MW8-16P	CL 6249-0009-8-000	IP54, Air leak Full-inspection
2	CX90MW8-16P1	CX90MW8-16P1	CL 6249-0013-5-000	IP68, Air leak Full-inspection

LABEL POSITION

PULL OUT DIRECTION



10	REEL BOBBIN	PS	-	
9	COVER TAPE	PET	-	
8	EMBOSS TAPE	PS	Thermo-Comperssion Sealing	
NO.	DESCRIPTIONS	MATERIAL	FINISH	REMARKS
	DRAWING NO.	EDC3-633692-00		PART NO. CX90MW8-16P*
SCALE	5:1		CODE NO. CL ****-****-***	
UNITS	mm		HRS HIROSE KOREA CO.,LTD.	