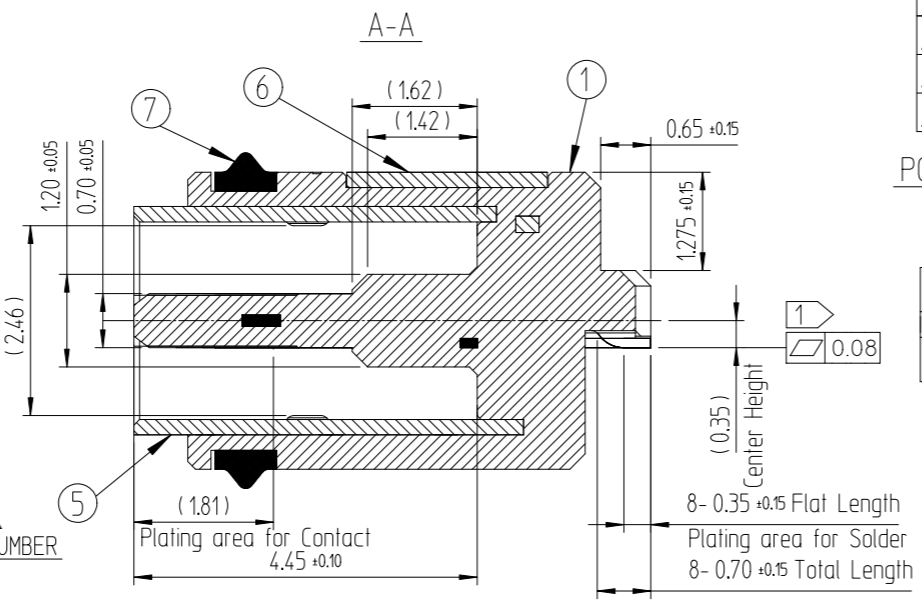
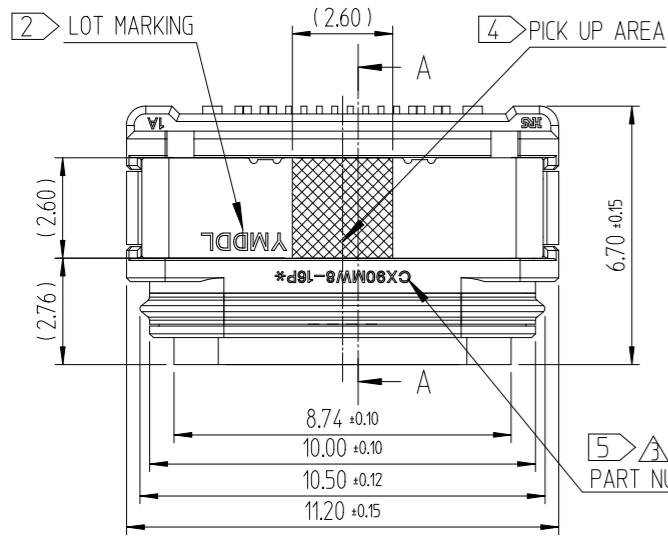
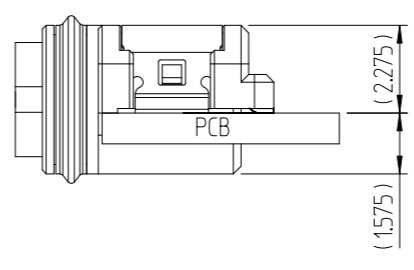


May.1.2024 Copyright 2024 HIROSE ELECTRIC CO., LTD. All Rights Reserved.
In case of consideration for using Automotive equipment / device which demand high reliability, kindly contact our sales window correspondents.

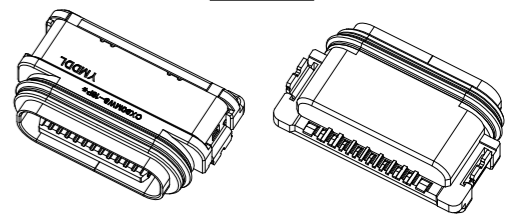
△數 COUNT	訂正事項 DESCRIPTION OF REVISIONS	擔當 B	檢圖 CHKD	年月日 DATE	△數 COUNT	訂正事項 DESCRIPTION OF REVISIONS	擔當 B	檢圖 CHKD	年月日 DATE
2	Released(RE-2-2440)	KYG	LHJ	23. 10. 26					
-	EC(RE-2-2477)	KYG	LHJ	23. 12. 08					
1	EC(RE-2-2556)	KJH	LHJ	24. 05. 01					



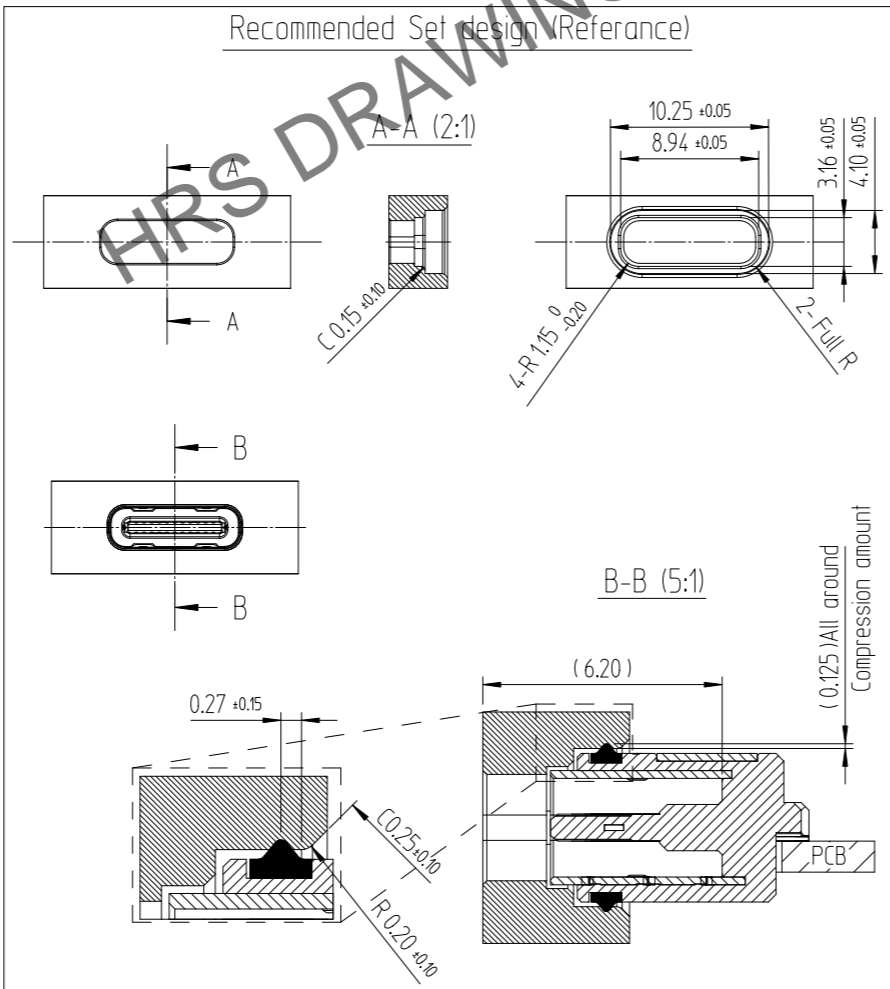
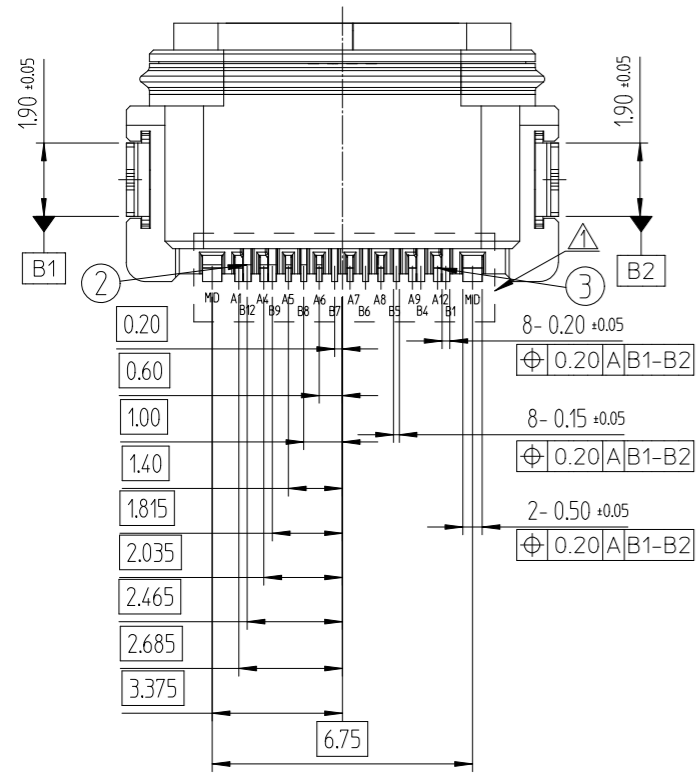
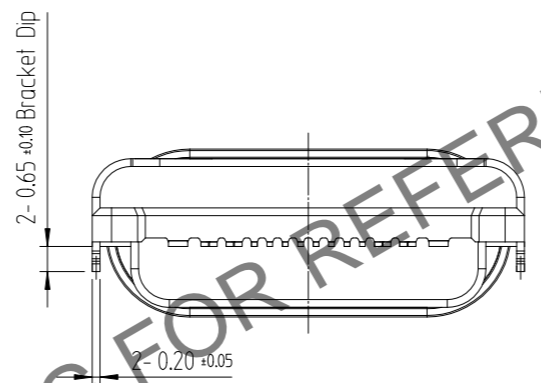
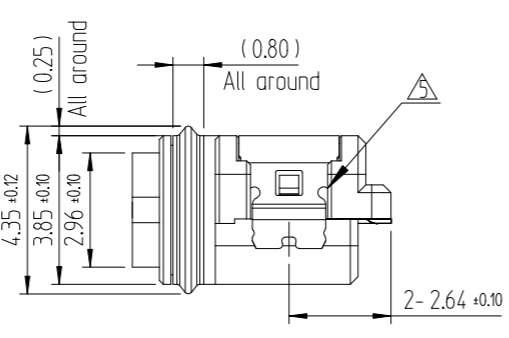
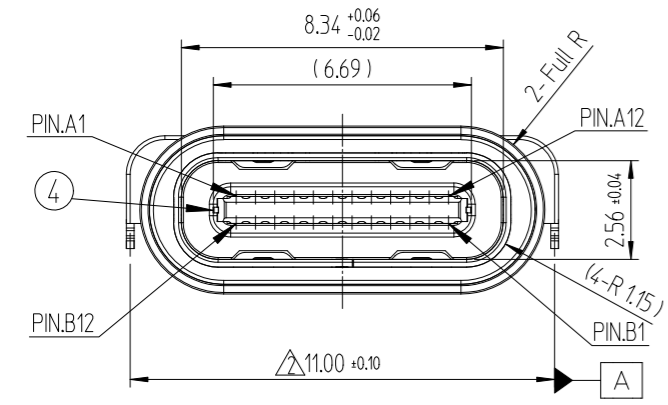
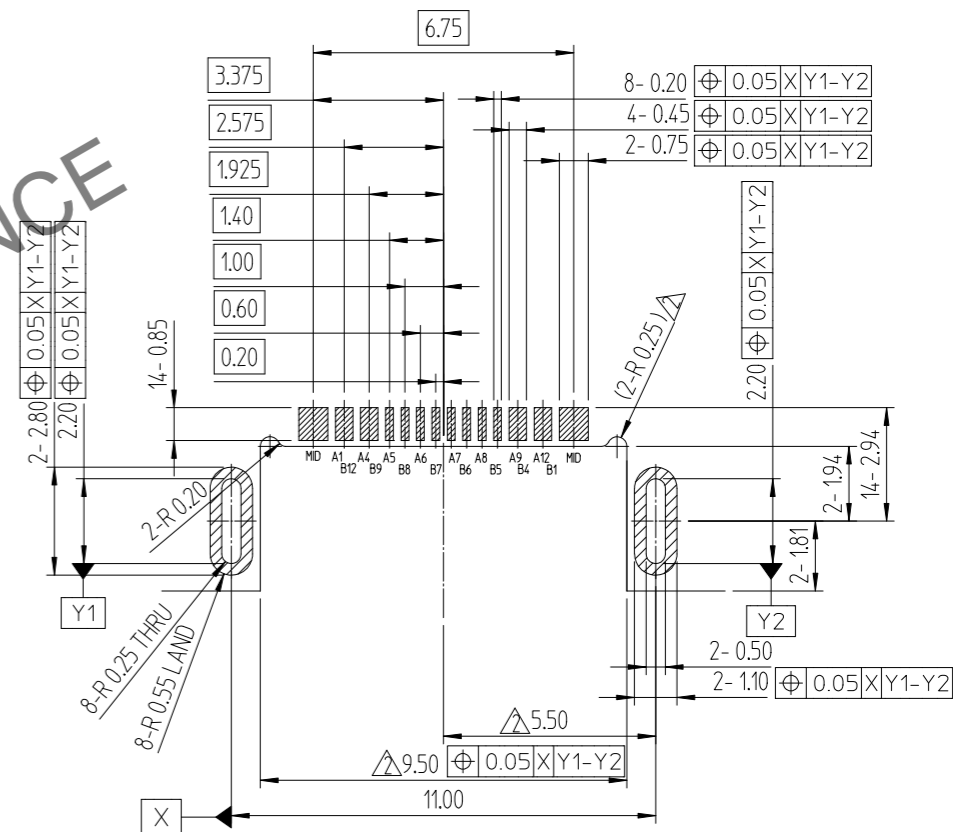
PCB MOUNTING POSITION



ISO-VIEW



RECOMMENDED PCB LAYOUT(TOP-VIEW)
(GENERAL TOLERANCE : ±0.05)



NO.	DESCRIPTIONS	MATERIAL	FINISH	REMARKS
7	GASKET	SILICONE	GRAY COLOR	-
6	BRACKET	STAINLESS STEEL	NICKEL PLATING	-
5	SHELL	STAINLESS STEEL	CLENSING	-
4	MID PLATE	STAINLESS STEEL	SOLDER AREA : GOLD OVER NICKEL PLATING THE OTHER AREA : NICKEL PLATING	-
3	CONTACT 2ND	COPPER ALLOY	CONTACT AREA : GOLD OVER NICKEL PLATING SOLDER AREA : GOLD OVER NICKEL PLATING	-
2	CONTACT 1ST	COPPER ALLOY	THE OTHER AREA : NICKEL PLATING	-
1	INSERT CASE	THERMOPLASTIC	BLACK COLOR	UL94V-0

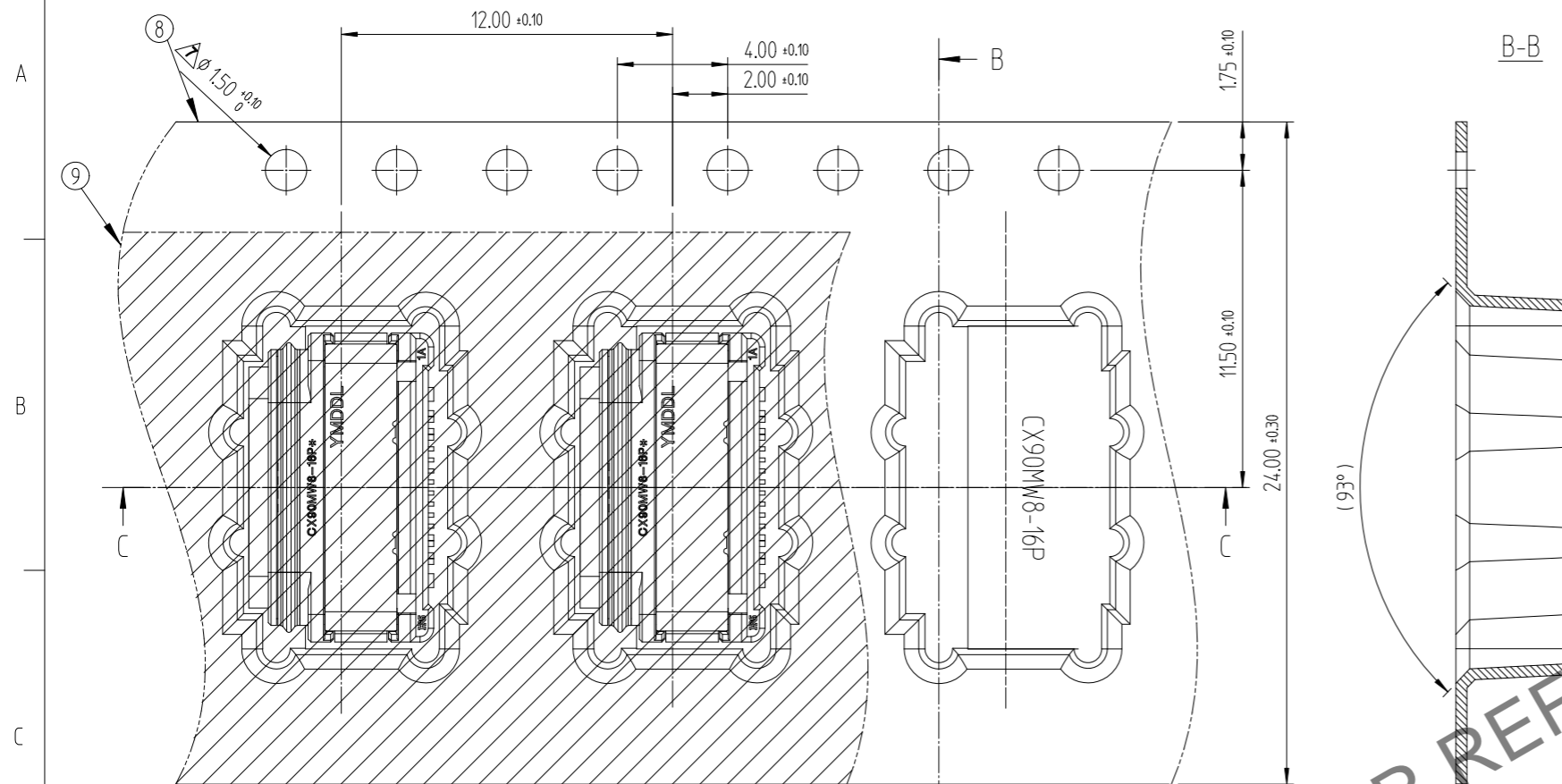
CODE NO. (OLD)	DRAWN	DESIGNED	CHECKED	APPROVED	RELEASED
	Y.G.KIM 22.06.20	Y.B.PARK 22.06.20	H.J.LEE 22.06.20	H.J.LEE 22.06.20	ENG 24.05.01 DEPT

SCALE 5:1	DRAWING NO. EDC3-633692-00	PART NO. CX90MW8-16P*
UNITS mm	HIROSE KOREA CO.,LTD.	CODE NO CL ****-****-****

May.1.2024 Copyright 2024 HIROSE ELECTRIC CO., LTD. All Rights Reserved.
In case of consideration for using Automotive equipment / device which demand high reliability, kindly contact our sales window correspondents.

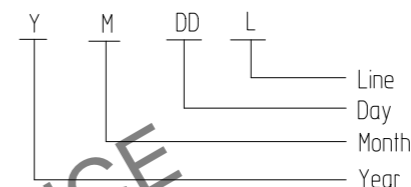
DRAWING FOR PACKING

DIRECTION OF UNREELING →



[NOTE]

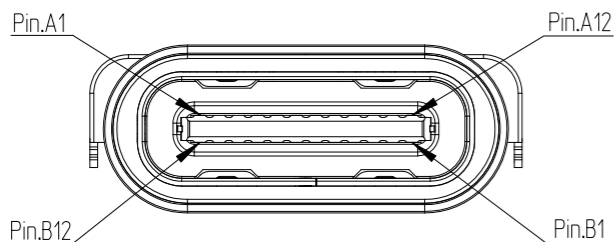
- ① Co-planarity of contact leads.
- 0.08max.before reflow, 0.10max.after reflow 2times and during reflow.
- ② Lot marking : 5 digits (YMDL)



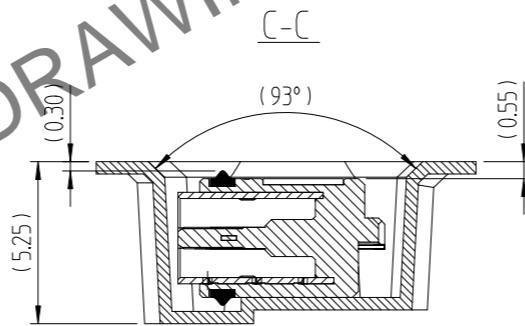
[Chart-1] LOT MARKING

Year	Month	Day	Production Line
Ex. Mark	Ex. Mark	Ex. Mark	Ex. MARK
2020	0	Jan. 1 1st 01	Sample S
2021	1	Feb. 2 2nd 02	MP Manual#1 1
2022	2	Mar. 3 3th 03	MP Manual#2 2
2023	3	Apr. 4 4th 04	MP Manual#3 3
2024	4	May 5 5th 05	MP Manual#4 4
2025	5	Jun. 6 6th 06	...
2026	6	Jul. 7 7th 07	MP Auto#1 A
2027	7	Aug. 8 8th 08	MP Auto#2 B
2028	8	Sep. 9 9th 09	MP Auto#3 C
2029	9	Oct. A 10th 10	MP Auto#4 D
		Nov. B 11th 11	MP Auto#5 E
		Dec. C

PIN ASSIGNMENT(FRONT-VIEW)



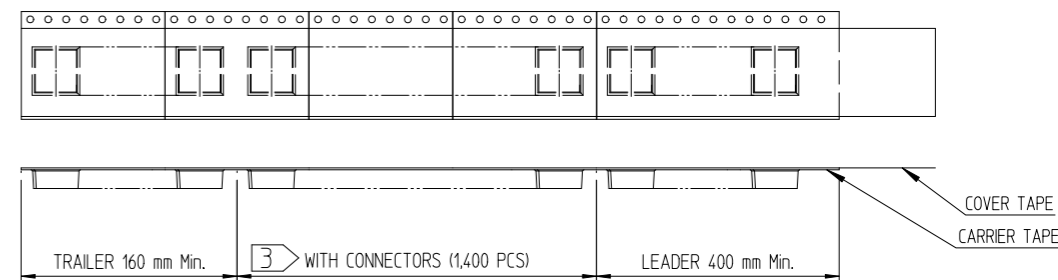
A1	A2	A3	A4	A5	A6	A7	A8	A9	A10	A11	A12
GND		Vbus	CC1	D+	D-	SBU1	Vbus				GND
B12	B11	B10	B9	B8	B7	B6	B5	B4	B3	B2	B1
GND		Vbus	SBU2	D-	D+	CC2	Vbus				GND



3. Carrier tape packing

Packing quantity : 1,400EA/REEL

Cover tape peeling force : 10~130gf(0.1~1.3N) @ 300mm/min



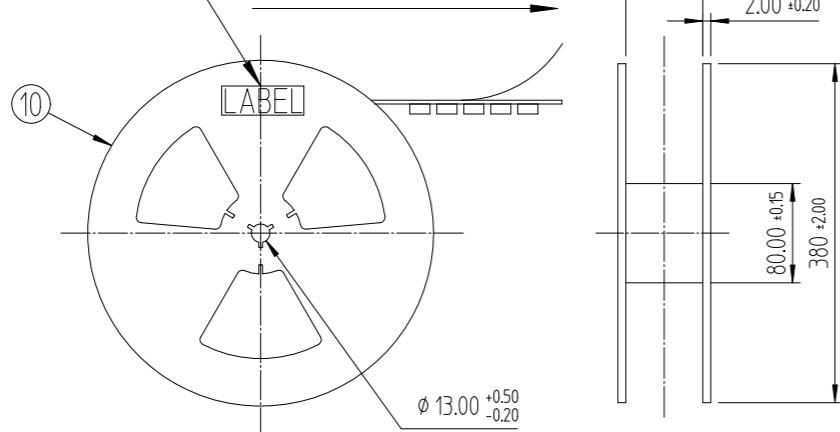
④ Pickup area

⑤ Series P/N Marking

No.	P/N	Marking	Code No.	Description
1	CX90MW8-16P	CX90MW8-16P	CL 6249-0009-8-000	IP54, Air leak Full-inspection
2	CX90MW8-16P1	CX90MW8-16P1	CL 6249-0013-5-000	IP68, Air leak Full-inspection

LABEL POSITION

PULL OUT DIRECTION →



10	REEL BOBBIN	PS	-	
9	COVER TAPE	PET	-	
8	EMBOSS TAPE	PS	Thermo-Comperssion Sealing	
NO.	DESCRIPTIONS	MATERIAL	FINISH	REMARKS
	DRAWING NO.	EDC3-633692-00		PART NO. CX90MW8-16P*
SCALE	5:1		CODE NO	⑤ CL ****-****-***
UNITS	mm			2/2

HRS DRAWING FOR REFERENCE