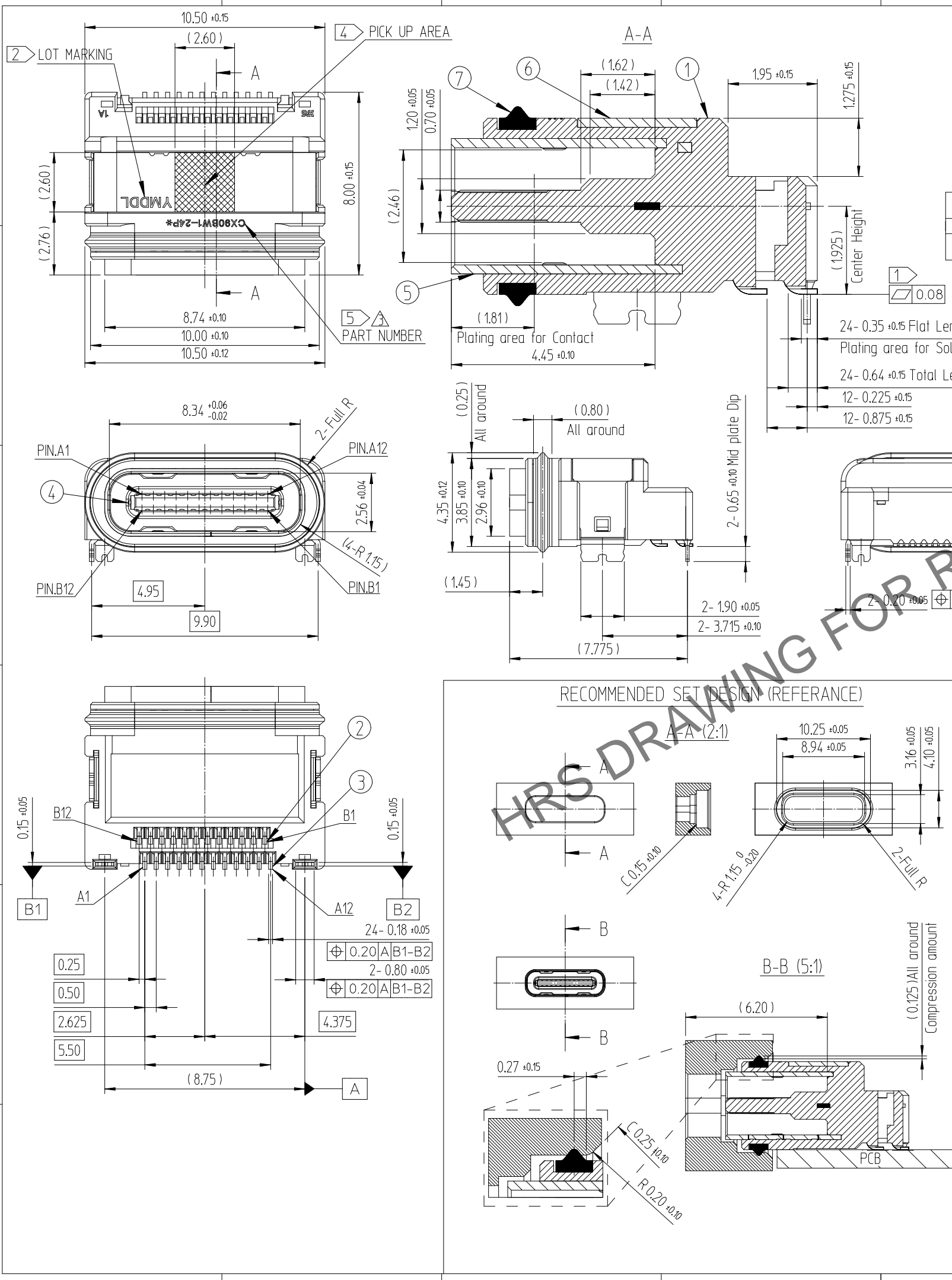
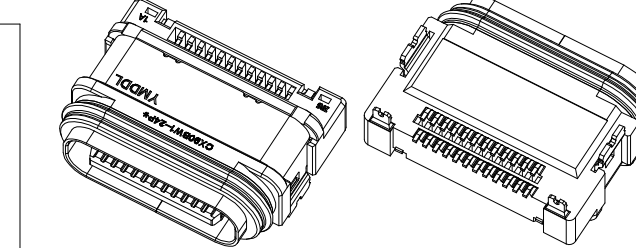
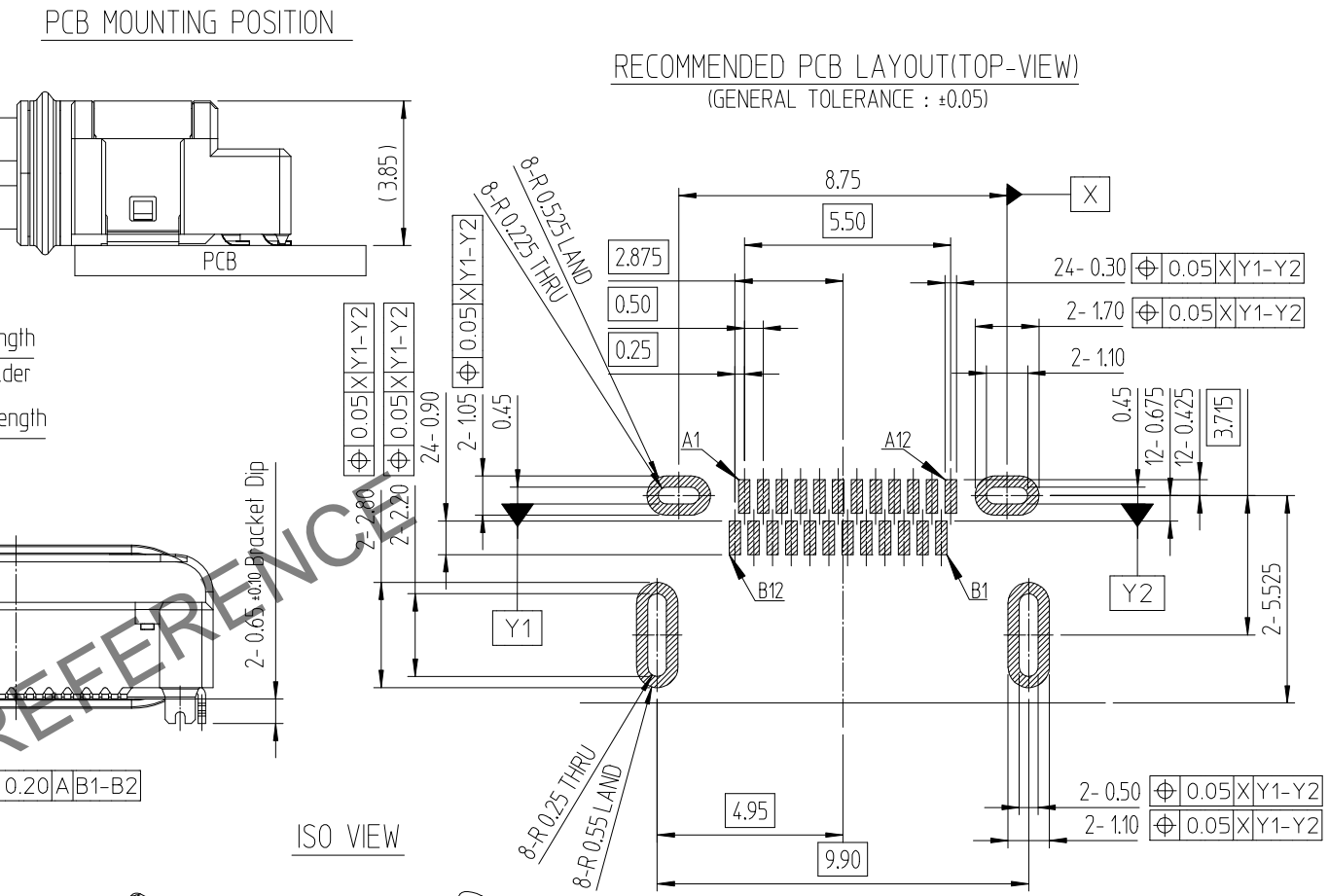


Mar.1.2024 Copyright 2024 HIROSE ELECTRIC CO., LTD. All Rights Reserved.
In case of consideration for using Automotive equipment / device which demand high reliability, kindly contact our sales window correspondents.



△數 COUNT	訂正事項 DESCRIPTION OF REVISIONS	擔當 B	檢圖 CHKD	年月日 DATE	△數 COUNT	訂正事項 DESCRIPTION OF REVISIONS	擔當 B	檢圖 CHKD	年月日 DATE
1	Released(RE-2-2440)	KYG	LHJ	23. 10. 26					
-	EC(RE-2-2477)	KYG	LHJ	23. 12. 08					



7	GASKET	SILICONE	GRAY COLOR	-
6	BRACKET	STAINLESS STEEL	NICKEL PLATING	-
5	SHELL	STAINLESS STEEL	CLEANSING	-
4	MID PLATE	STAINLESS STEEL	NICKEL PLATING △	-
3	CONTACT 2ND	COPPER ALLOY	CONTACT AREA : GOLD OVER NICKEL PLATING SOLDER AREA : GOLD OVER NICKEL PLATING THE OTHER AREA : NICKEL PLATING	-
2	CONTACT 1ST	COPPER ALLOY		
1	INSERT CASE	THERMOPLASTIC	BLACK COLOR	UL94V-0
NO.	DESCRIPTIONS	MATERIAL	FINISH	REMARKS

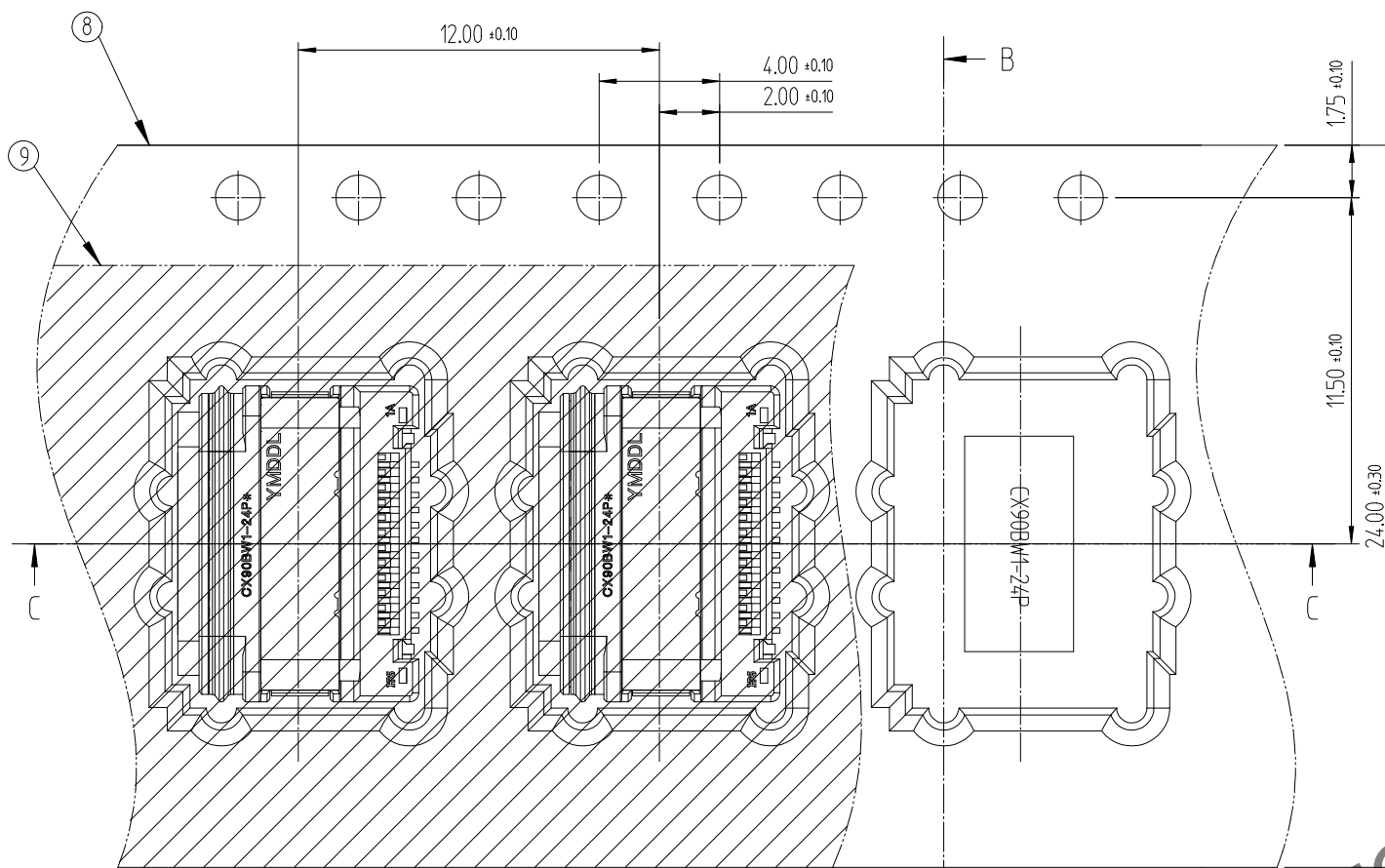
CODE NO. (OLD)	DRAWN	DESIGNED	CHECKED	APPROVED	RELEASED
	Y.G.KIM 22.08.24	Y.G.KIM 22.08.24	H.J.LEE 22.08.24	H.J.LEE 22.08.24	ENG 23.12.08 DEPT

SCALE 5:1 UNITS mm	DRAWING NO. EDC3-633753-00	PART NO. CX90BW1-24P*
	HIROSE KOREA CO.,LTD.	CODE NO △15> CL ****-****-**-***

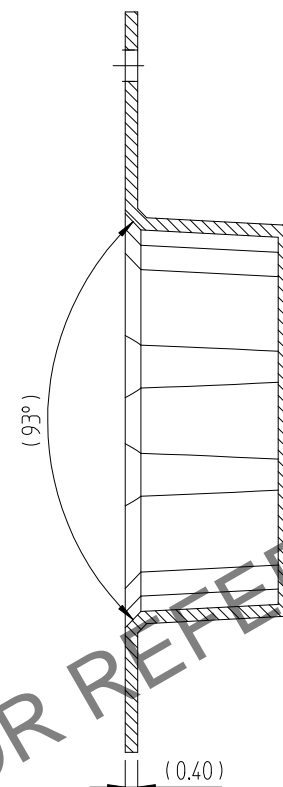
Mar.1.2024 Copyright 2024 HIROSE ELECTRIC CO., LTD. All Rights Reserved.
In case of consideration for using Automotive equipment / device which demand high reliability, kindly contact our sales window correspondents.

DRAWING FOR PACKING

DIRECTION OF UNREELING →

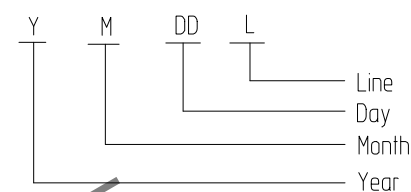


B-B



[NOTE]

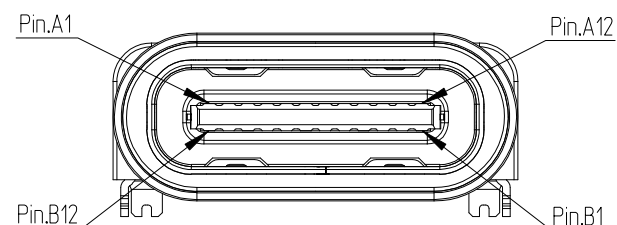
- ① Co-planarity of contact leads.
- 0.08max.before reflow, 0.10max.after reflow 2times and during reflow.
- ② Lot marking : 5 digits (YMDDL)



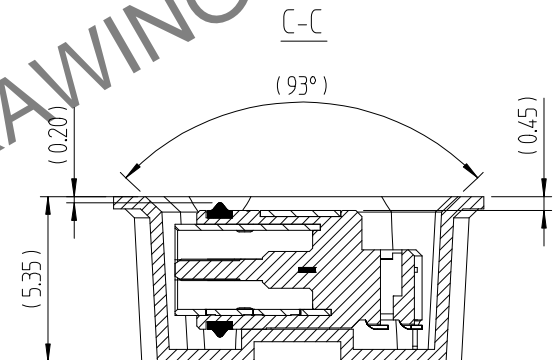
[Chart-1] LOT MARKING

Year	Month	Day	Production Line
Ex. Mark	Ex. Mark	Ex. Mark	Ex. MARK
2020 0	Jan. 1	1st 01	Sample S
2021 1	Feb. 2	2nd 02	MP Manual#1 1
2022 2	Mar. 3	3th 03	MP Manual#2 2
2023 3	Apr. 4	4th 04	MP Manual#3 3
2024 4	May 5	5th 05	MP Manual#4 4
2025 5	Jun. 6	6th 06	...
2026 6	Jul. 7	7th 07	MP Auto#1 A
2027 7	Aug. 8	8th 08	MP Auto#2 B
2028 8	Sep. 9	9th 09	MP Auto#3 C
2029 9	Oct. A	10th 10	MP Auto#4 D
	Nov. B	11th 11	MP Auto#5 E
	Dec. C

PIN ASSIGNMENT(FRONT-VIEW)



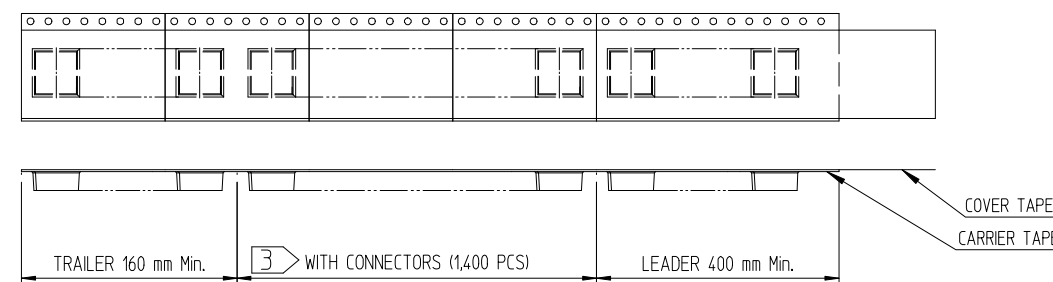
A1	A2	A3	A4	A5	A6	A7	A8	A9	A10	A11	A12
GND	TX1+	TX1-	Vbus	CC1	D+	D-	SBU1	Vbus	RX2-	RX2+	GND
GND	RX1+	RX1-	Vbus	SBU2	D-	D+	CC2	Vbus	TX2-	TX2+	GND
B12	B11	B10	B9	B8	B7	B6	B5	B4	B3	B2	B1



3. Carrier tape packing

Packing quantity : 1,400EA/REEL

Cover tape peeling force : 10~130gf(0.1~1.3N) @ 300mm/min



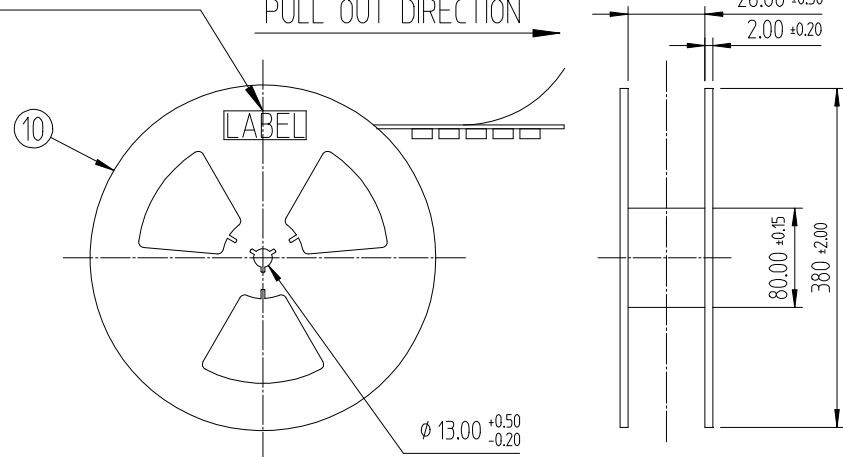
④ Pickup area

⑤ Series P/N Marking

No.	P/N	Marking	Code No.	Description
1	CX90BW1-24P	CX90BW1-24P	CL 6247-0001-3-000	IP54, Air leak Full-inspection
2	CX90BW1-24P1	CX90BW1-24P1	CL 6247-0003-9-000	IP68, Air leak Full-inspection

LABEL POSITION

PULL OUT DIRECTION →



10	REEL BOBBIN	PS	-	
9	COVER TAPE	PET	-	
8	EMBOSS TAPE	PS	Thermo-Comperssion Sealing	
NO.	DESCRIPTIONS	MATERIAL	FINISH	REMARKS
DRAWING NO. EDC3-633753-00		PART NO. CX90BW1-24P*		
SCALE 4:1	UNITS mm		CODE NO. ⑤ CL ****-****-**-***	2/2
HRS HIROSE KOREA CO.,LTD.				