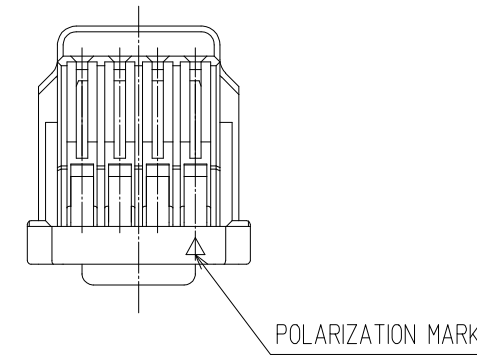
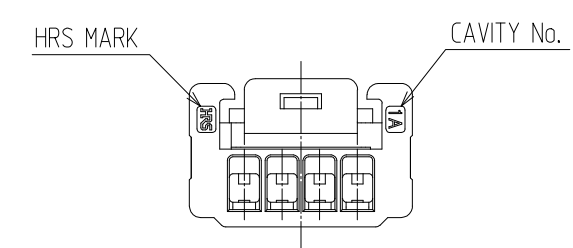
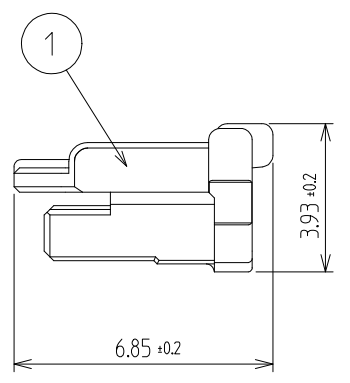
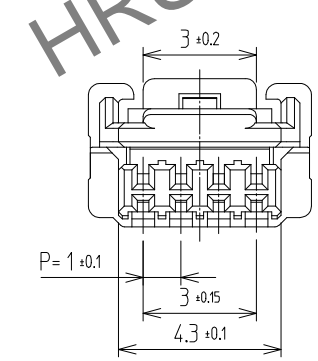
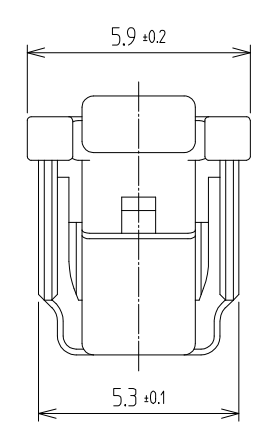


Apr.1.2024 Copyright 2024 HIROSE ELECTRIC CO., LTD. All Rights Reserved.  
In case of consideration for using Automotive equipment / device which demand high reliability, kindly contact our sales window

HRS DRAWING FOR REFERENCE



△數 COUNT	訂正事項 DISCRIPTION OF REVISIONS	擔當 B	檢圖 CHKD	年月日 DATE	△數 COUNT	訂正事項 DISCRIPTION OF REVISIONS	擔當 B	檢圖 CHKD	年月日 DATE
△				. .	△				. .
△				. .	△				. .
△				. .	△				. .

NOTE  
 1. 1PACK CONTAINS 1,000PCS.  
 2. UL(File No. E132750) AUTHORIZATION ARTICLE.  
 C-UL(File No. E132750) AUTHORIZATION ARTICLE.



1	PA66	UL94-V0, BLACK						
NO.	MATERIAL	FINISH,REMARKS	NO.	MATERIAL	FINISH,REMARKS			
CODE NO. (OLD)			DRAWN	DESIGNED	CHECKED	APPROVED	RELEASED	
			SHIN 22.12.22 J.H	SHIN 22.12.22 J.H	LIM 22.12.22 S.M	LIM 22.12.22 S.M		
DRAWING NO. EDC3-633958		PART NO. KW30-4P-1C (800)						
SCALE 5:1	HRS HIROSE KOREA CO.,LTD.		CODE NO. CL 6669-0033-0-800					
UNITS mm					1/1			