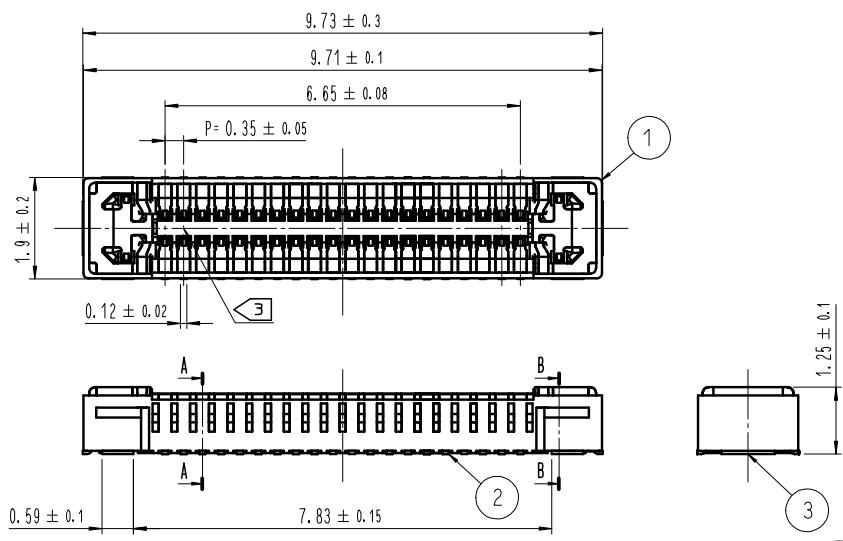


Apr.1.2025 Copyright 2025 HIROSE ELECTRIC CO., LTD. All Rights Reserved.  
 use of consideration for using Automotive equipment / device which demand high reliability, kindly contact our sales window correspond

**DRAWING FOR REFERENCE**  
 This is subject to change without notice

| COUNT | DESCRIPTION OF REVISIONS | B | Y | CHKD | DATE | COUNT    | DESCRIPTION OF REVISIONS | B | Y | CHKD | DATE |
|-------|--------------------------|---|---|------|------|----------|--------------------------|---|---|------|------|
| 6     | RE-6-3280                |   |   | PSH  | JHW  | 23.08.04 |                          |   |   |      |      |
| 2     | RE-6-3921                |   |   | JSW  | JHW  | 25.01.15 |                          |   |   |      |      |

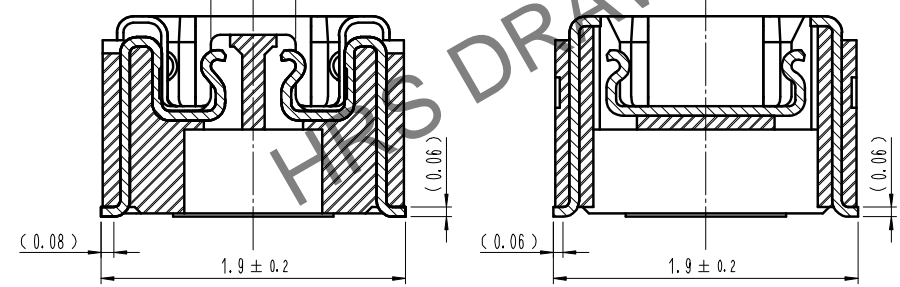
A  
B  
C  
D  
E  
F



A-A(30:1)

B-B(30:1)

PICK AND PLACE AREA : 0.53

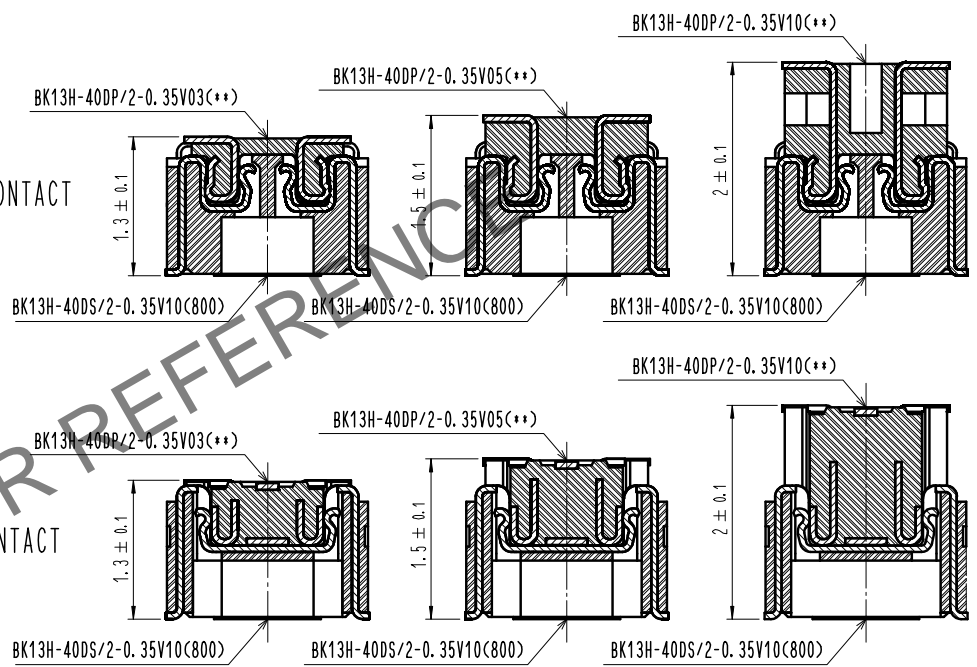


NOTE 1 . ALL LEAD CO-PLANARITY SHALL BE 0.08mm MAX.  
 2 > CONTACT PLATING SPECIFICATIONS  
 CONTACT AREA : GOLD 0.05 μm MIN  
 SMT LEAD : GOLD 0.05 μm MIN  
 UNDERPLATING : NICKEL 1 μm MIN  
 ( SURFACE : SEALING )  
 ( NO GOLD PLATING IS ACCEPTABLE EXCEPT CONTACT POINTS AND SMT LEADS. )  
 3 > CAV NO. ARE INDICATED IN APPROX POSITION SHOWN.

△ ENGAGEMENT FIGURE (20:1)

SIGNAL CONTACT

POWER CONTACT



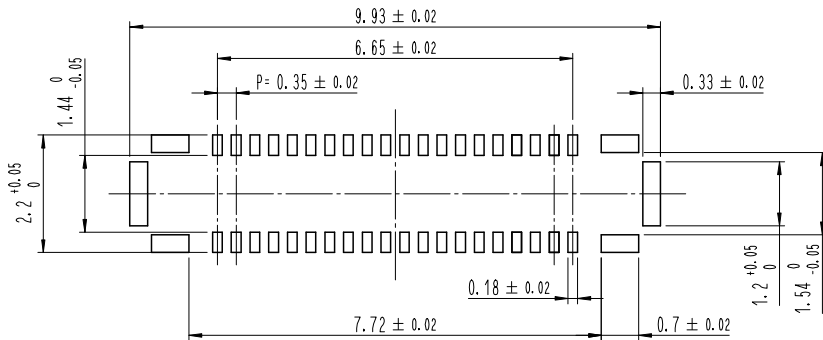
△ STACKING HEIGHT (H) (UNIT : mm)

| HEADER NO.               | RECEPTACLE NO. | BK13H-40DS/2-0.35V10(800) |
|--------------------------|----------------|---------------------------|
| BK13H-40DP/2-0.35V03(**) |                | H = 1.3                   |
| BK13H-40DP/2-0.35V05(**) |                | H = 1.5                   |
| BK13H-40DP/2-0.35V10(**) |                | H = 2.0                   |

|                            |              |                               |            |                             |                      |
|----------------------------|--------------|-------------------------------|------------|-----------------------------|----------------------|
| 4                          | PS           | CLEAR (EMBOSSED CARRIER TAPE) |            |                             |                      |
| 3                          | COPPER ALLOY | 2                             |            |                             |                      |
| 2                          | COPPER ALLOY | 2                             |            |                             |                      |
| 1                          | LCP          | UL94 V-0, BLACK               | 6          | PS                          | BLACK (PLASTIC REEL) |
| NO.                        | MATERIAL     | FINISH , REMARKS              | NO.        | MATERIAL                    | FINISH , REMARKS     |
| REMARKS                    |              |                               | DRAWN      | DESIGNED                    | CHECKED              |
|                            |              |                               | S. H. PARK | S. H. PARK                  | Y. J. LEE            |
|                            |              |                               | 23.02.13   | 23.02.13                    | 23.02.13             |
|                            |              |                               | APPROVED   | RELEASED                    |                      |
|                            |              |                               | H. W. JO   | 25.01.15                    |                      |
| CODE NO. (COLD)            | DRAWING NO.  | EDC3-633762-80                | PART NO.   | △ BK13H-40DS/2-0.35V10(800) |                      |
| SCALE                      | UNITS        | 10:1                          | CODE NO    | CL 6671-0016-7-800          | 1/4                  |
| HRS HIROSE KOREA CO., LTD. |              |                               |            |                             |                      |

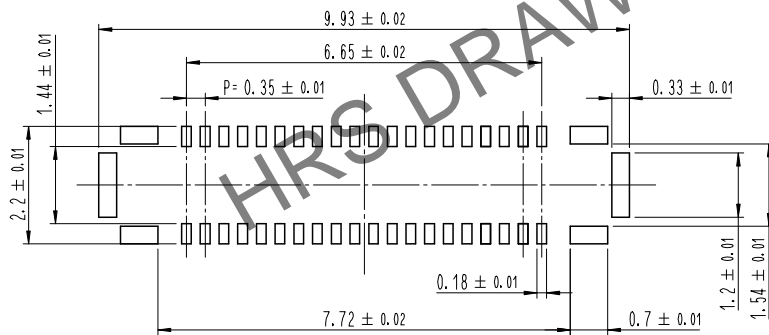
1 2 3 4 5 6 7 8

5 **RECOMMENDED PCB LAYOUT**

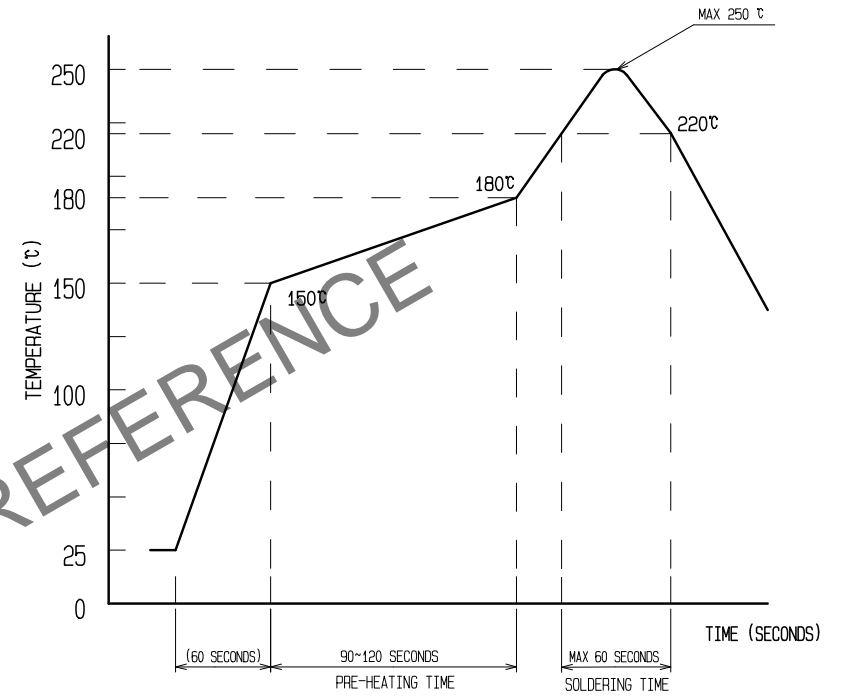


**RECOMMENDED METAL MASK DIMENSIONS**

MATAL MASK THICKNESS : 80 μm



4 **RECOMMENDED REFLOW TEMPERATURE PROFILE USING LEAD-FREE SOLDER PASTE.**



- REFLOW METHOD : N<sub>2</sub> REFLOW  
 NUMBER OF REFLOW CYCLES : 2 CYCLES MAX.  
 1) REFLOW TIME  
 DURATION ABOVE 220°C, 60 SEC MAX.  
 (PEAK TEMPERATURE : 250°C MAX)  
 2) PRE-HEAT TIME  
 PRE-HEAT TEMPERATURE(MIN): 150°C  
 PRE-HEAT TEMPERATURE(MAX): 180°C  
 PRE-HEAT TIME: 90-120 SEC.

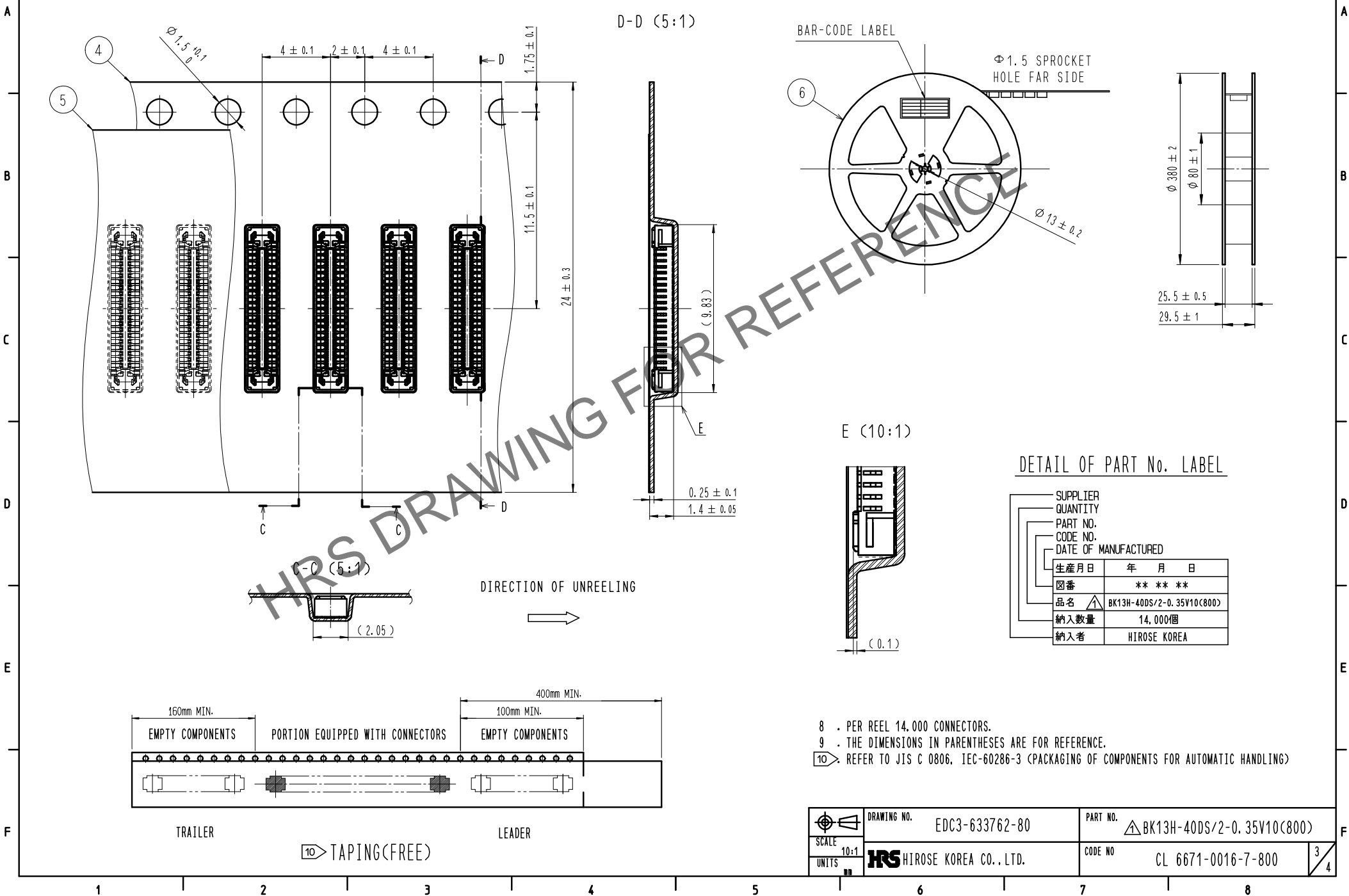
- 4 THIS TEMPERATURE PROFILE IS PER THE CONDITIONS SHOWN ABOVE. ADDITIONAL FACTORS, SUCH AS SOLDER PASTE TYPE, PCB SIZE AND OTHER MOUNTED COMPONENTS COULD AFFECT THE PROFILE. THEREFORE, A THOROUGH EVALUATION OF MOUNTING CONDITION IS REQUIRED PRIOR TO PRODUCTION. TEMPERATURE IS MEASURED AT CONTACT LEAD.  
 5 PLEASE CONTACT US IN CASE YOU WILL MAKE DIFFERENT SETTINGS FROM OUR RECOMMENDATION.  
 6 THIS PRODUCT SATISFIES HALOGEN FREE REQUIREMENTS DEFINED AS 900ppm MAXIMUM CHLORINE, 900ppm MAXIMUM BROMINE, AND 1500ppm MAXIMUM TOTAL OF CHLORINE AND BROMINE.  
 7 THIS PRODUCT COMPLY WITH RoHS.

|                         |                            |                                     |
|-------------------------|----------------------------|-------------------------------------|
| <br>SCALE 10:1<br>UNITS | DRAWING NO. EDC3-633762-80 | PART NO.  BK13H-40DS/2-0.35V10(800) |
|                         | HIROSE KOREA CO., LTD.     | CODE NO. CL 6671-0016-7-800         |

Apr.1.2025 Copyright 2025 HIROSE ELECTRIC CO., LTD. All Rights Reserved.  
 use of consideration for using Automotive equipment / device which demand high reliability, kindly contact our sales window correspond

# EMBOSSED CARRIER TAPE PACKAGING (5:1)

# STYLE AND DIMENSION OF REEL (FREE)



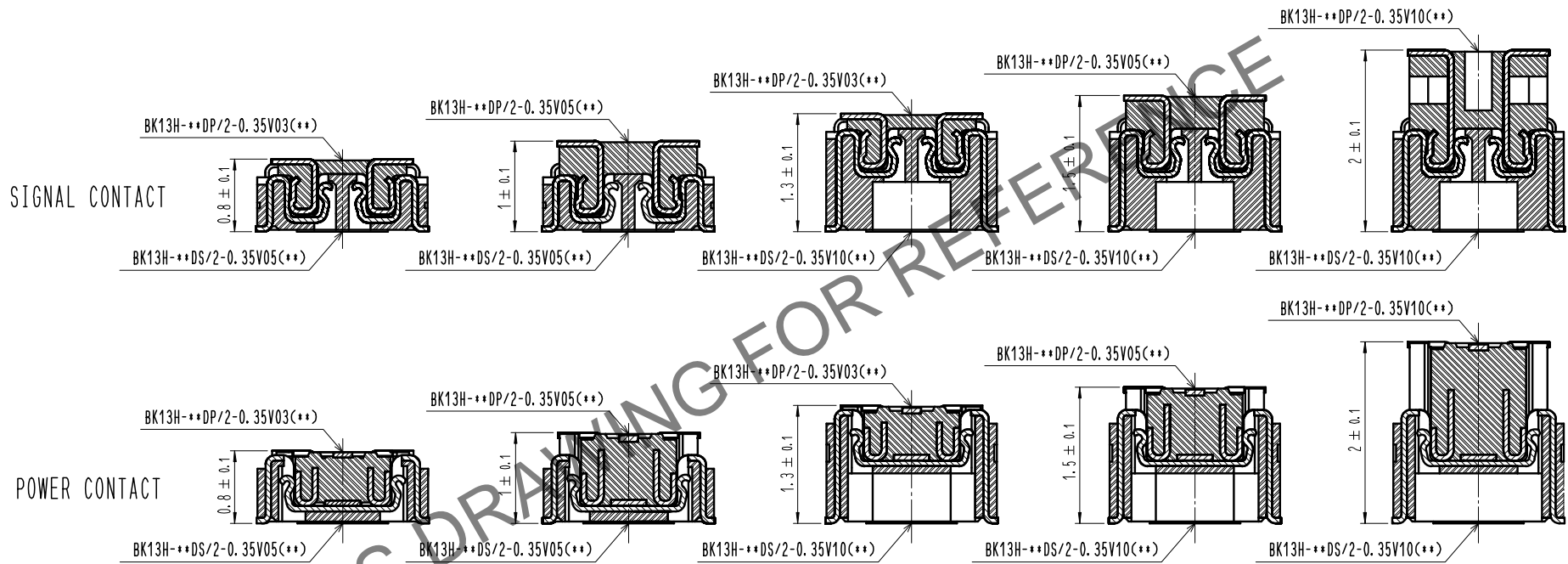
|                      |                             |
|----------------------|-----------------------------|
| SUPPLIER             |                             |
| QUANTITY             |                             |
| PART NO.             |                             |
| CODE NO.             |                             |
| DATE OF MANUFACTURED |                             |
| 生産月日                 | 年 月 日                       |
| 図番                   | ** ** *                     |
| 品名                   | △ BK13H-40DS/2-0.35V10(800) |
| 納入数量                 | 14,000個                     |
| 納入者                  | HIROSE KOREA                |

- 8 . PER REEL 14,000 CONNECTORS.
- 9 . THE DIMENSIONS IN PARENTHESES ARE FOR REFERENCE.
- 10 . REFER TO JIS C 0806, IEC-60286-3 (PACKAGING OF COMPONENTS FOR AUTOMATIC HANDLING)

|               |             |                               |          |                             |
|---------------|-------------|-------------------------------|----------|-----------------------------|
| SCALE<br>10:1 | DRAWING NO. | EDC3-633762-80                | PART NO. | △ BK13H-40DS/2-0.35V10(800) |
|               | UNITS       | HIROSE HIROSE KOREA CO., LTD. |          | CODE NO.                    |

Apr.1.2025 Copyright 2025 HIROSE ELECTRIC CO., LTD. All Rights Reserved.  
 use of consideration for using Automotive equipment / device which demand high reliability, kindly contact our sales window correspond

△ BK13H SERIES  
 ENGAGEMENT FIGURE (20:1)



△ BK13H SERIES  
 STACKING HEIGHT (H)  
 (UNIT : mm)

| HEADER NO. | RECEPTACLE NO.           | BK13H-**DS/2-0.35V05(**) | BK13H-**DS/2-0.35V10(**) |
|------------|--------------------------|--------------------------|--------------------------|
|            | BK13H-**DP/2-0.35V03(**) | H = 0.8                  | H = 1.3                  |
|            | BK13H-**DP/2-0.35V05(**) | H = 1.0                  | H = 1.5                  |
|            | BK13H-**DP/2-0.35V10(**) |                          | H = 2.0                  |

|       |                        |                |          |                           |
|-------|------------------------|----------------|----------|---------------------------|
|       | DRAWING NO.            | EDC3-633762-80 | PART NO. | BK13H-40DS/2-0.35V10(800) |
|       | SCALE                  | 10:1           | CODE NO. | CL 6671-0016-7-800        |
| UNITS | HIROSE KOREA CO., LTD. |                |          | 4/4                       |