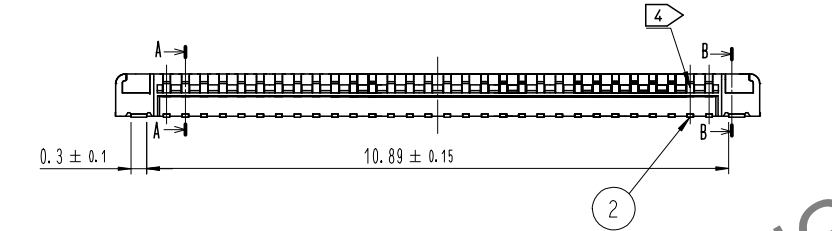
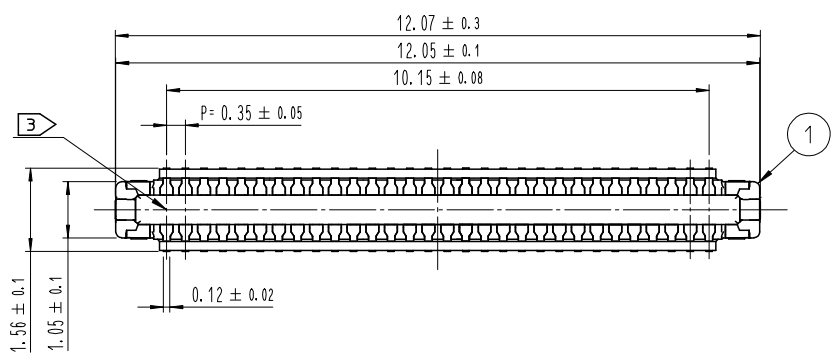


Apr.1.2026 Copyright 2026 HIROSE ELECTRIC CO., LTD. All Rights Reserved.
 use of consideration for using Automotive equipment / device which demand high reliability, kindly contact our sales window correspond

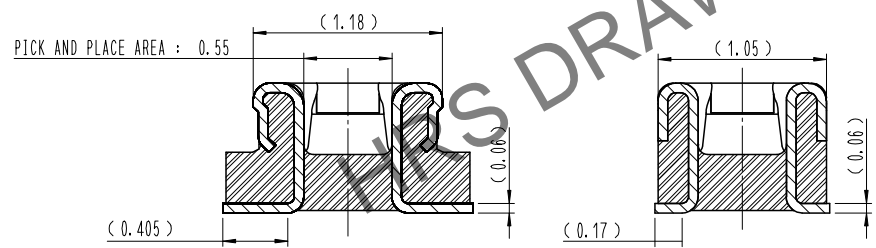
DRAWING FOR REFERENCE
 This is subject to change without notice

COUNT	DESCRIPTION OF REVISIONS	B	Y	CHKD	DATE	COUNT	DESCRIPTION OF REVISIONS	B	Y	CHKD	DATE
△						△					
△						△					
△						△					



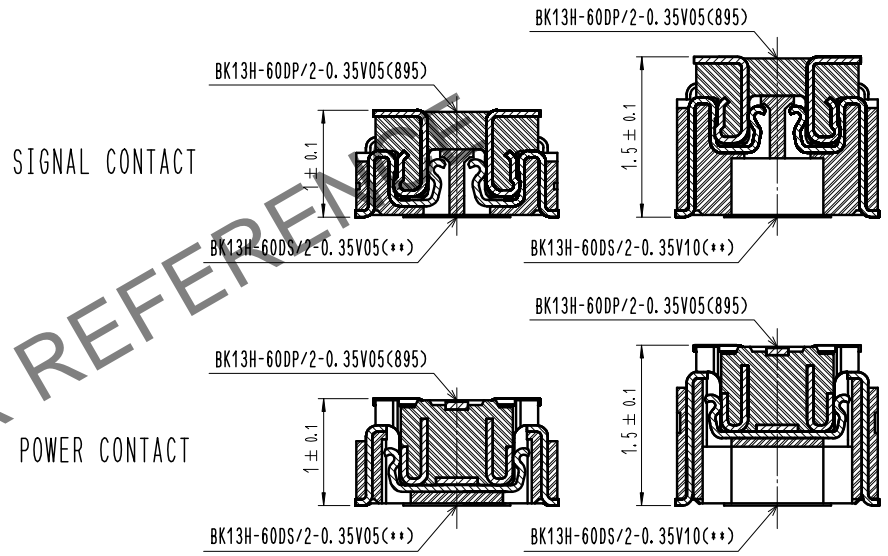
A-A (30:1)

B-B (30:1)



NOTE 1. ALL LEAD CO-PLANARITY SHALL BE 0.08mm MAX.
 2. CONTACT PLATING SPECIFICATIONS
 CONTACT AREA : GOLD 0.05μm MIN
 SMT LEAD : GOLD 0.05μm MIN
 UNDERPLATING : NICKEL 1μm MIN
 (SURFACE : SEALING)
 (NO GOLD PLATING IS ACCEPTABLE EXCEPT CONTACT POINTS AND SMT LEADS.)
 3. CAV. NO. ARE INDICATED IN APPROX POSITION SHOWN.
 4. A PART OF THE WALL COULD BE NOTCHED

ENGAGEMENT FIGURE (20:1)



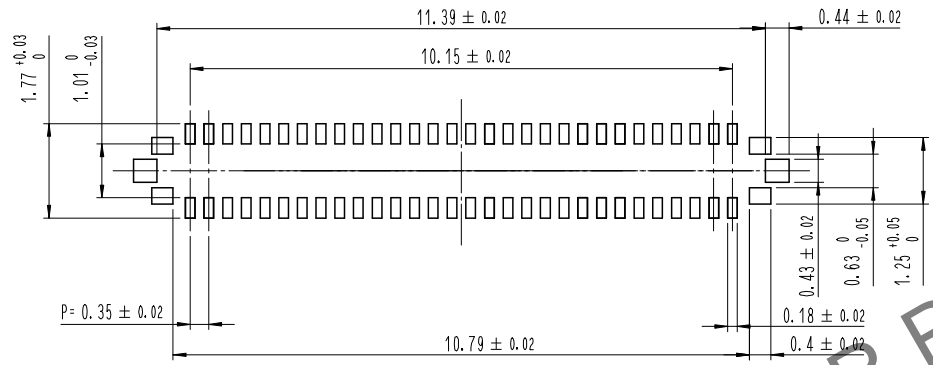
STACKING HEIGHT (H)

(UNIT : mm)

HEADER NO.	RECEPTACLE NO.	BK13H-60DS/2-0.35V05(**)	BK13H-60DS/2-0.35V10(**)
BK13H-60DP/2-0.35V05(895)		H = 1.0	H = 1.5

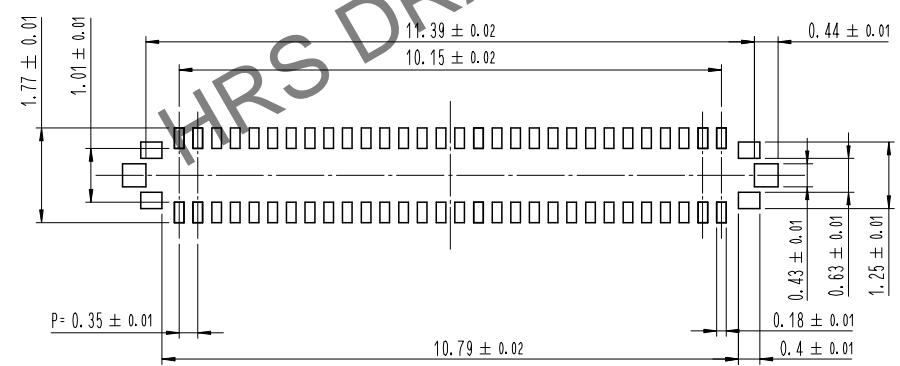
4	PS	CLEAR (EMBOSSED CARRIER TAPE)					
3	COPPER ALLOY	2					
2	COPPER ALLOY	2	6	PS	BLACK (PLASTIC REEL)		
1	LCP	UL94 V-0, BLACK	5	POLYESTER	CLEAR (COVER TAPE)		
NO.	MATERIAL	FINISH, REMARKS	NO.	MATERIAL	FINISH, REMARKS		
REMARKS			DRAWN	DESIGNED	CHECKED	APPROVED	RELEASED
			S. W. JUNG	S. W. JUNG	S. H. PARK	H. W. JO	25.01.15
			25.01.15	25.01.15	25.01.15	25.01.15	25.01.15
CODE NO. (OLD)	SCALE	DRAWING NO.	PART NO.				
	10:1	EDC3-633785-95	BK13H-60DP/2-0.35V05(895)				
	UNITS	HIROSE KOREA CO., LTD.	CODE NO.	CL 6671-0021-7-895			
					1/4		

6 **RECOMMENDED PCB LAYOUT**

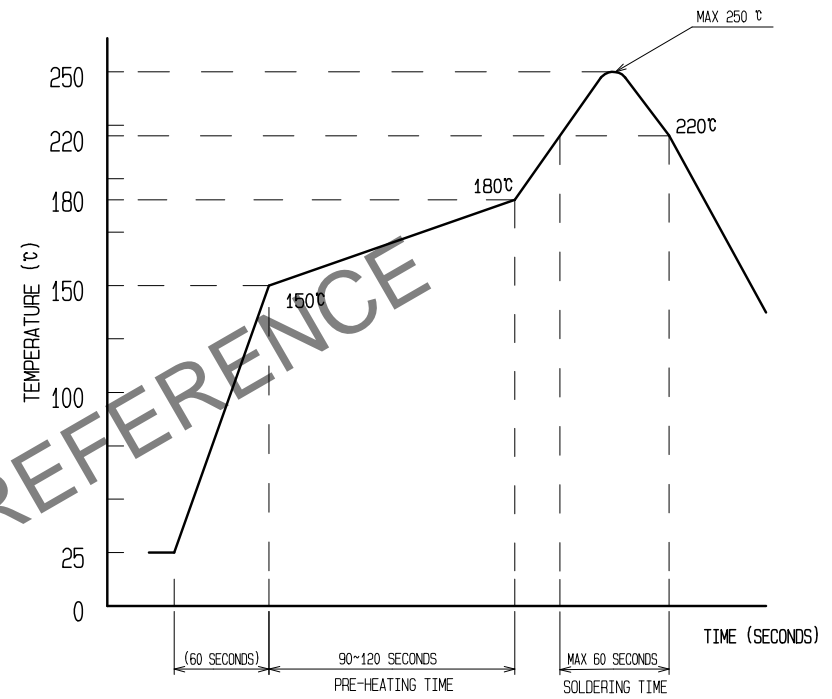


RECOMMENDED METAL MASK DIMENSIONS

MATAL MASK THICKNESS : 80 μm



5 **RECOMMENDED REFLOW TEMPERATURE PROFILE USING LEAD-FREE SOLDER PASTE.**

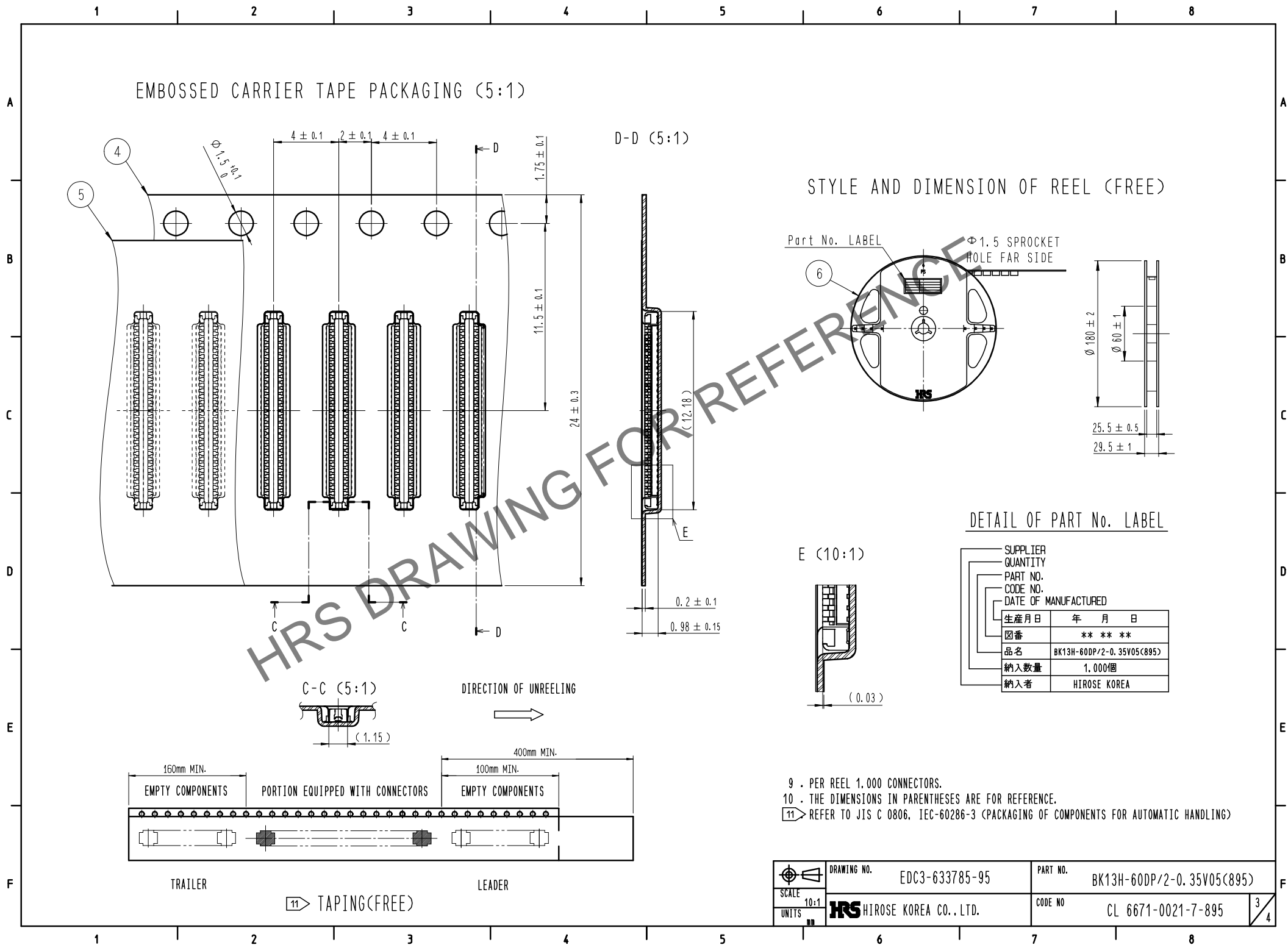


- REFLOW METHOD : N₂ REFLOW
 NUMBER OF REFLOW CYCLES : 2 CYCLES MAX.
 1) REFLOW TIME
 DURATION ABOVE 220°C, 60 SEC MAX.
 (PEAK TEMPERATURE : 250°C MAX)
 2) PRE-HEAT TIME
 PRE-HEAT TEMPERATURE(MIN): 150°C
 PRE-HEAT TEMPERATURE(MAX): 180°C
 PRE-HEAT TIME: 90-120 SEC.

- 5 THIS TEMPERATURE PROFILE IS PER THE CONDITIONS SHOWN ABOVE. ADDITIONAL FACTORS, SUCH AS SOLDER PASTE TYPE, PCB SIZE AND OTHER MOUNTED COMPONENTS COULD AFFECT THE PROFILE, THEREFORE, A THOROUGH EVALUATION OF MOUNTING CONDITION IS REQUIRED PRIOR TO PRODUCTION. TEMPERATURE IS MEASURED AT CONTACT LEAD.
 6 PLEASE CONTACT US IN CASE YOU WILL MAKE DIFFERENT SETTINGS FROM OUR RECOMMENDATION.
 7 . THIS PRODUCT SATISFIES HALOGEN FREE REQUIREMENTS DEFINED AS 900ppm MAXIMUM CHLORINE, 900ppm MAXIMUM BROMINE, AND 1500ppm MAXIMUM TOTAL OF CHLORINE AND BROMINE.
 8 . THIS PRODUCT COMPLY WITH RoHS.

 SCALE 10:1 UNITS	DRAWING NO.	EDC3-633785-95	PART NO.	BK13H-60DP/2-0.35V05(895)
	HIROSE KOREA CO., LTD.		CODE NO.	CL 6671-0021-7-895

Apr.1.2026 Copyright 2026 HIROSE ELECTRIC CO., LTD. All Rights Reserved.
 use of consideration for using Automotive equipment / device which demand high reliability, kindly contact our sales window correspond



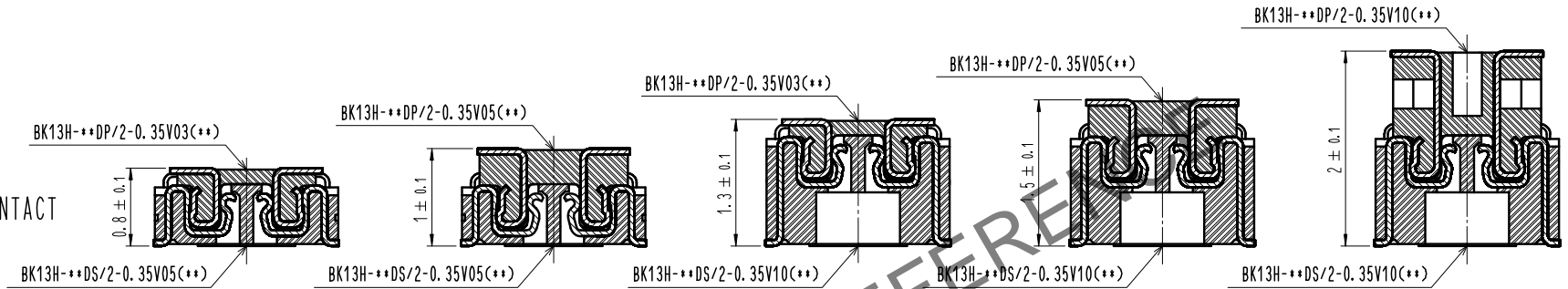
9 . PER REEL 1,000 CONNECTORS.
 10 . THE DIMENSIONS IN PARENTHESES ARE FOR REFERENCE.
 11 > REFER TO JIS C 0806, IEC-60286-3 (PACKAGING OF COMPONENTS FOR AUTOMATIC HANDLING)

	DRAWING NO.	EDC3-633785-95	PART NO.	BK13H-60DP/2-0.35V05(895)	
	SCALE	10:1	CODE NO.	CL 6671-0021-7-895	3/4
UNITS	HIROSE KOREA CO., LTD.				

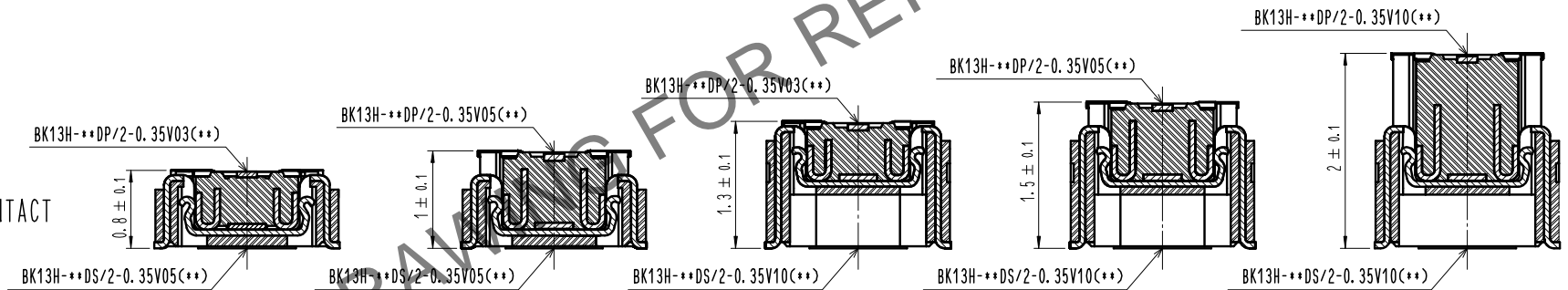
Apr.1.2026 Copyright 2026 HIROSE ELECTRIC CO., LTD. All Rights Reserved.
 use of consideration for using Automotive equipment / device which demand high reliability, kindly contact our sales window correspond

BK13H SERIES
 ENGAGEMENT FIGURE (20:1)

SIGNAL CONTACT



POWER CONTACT



BK13H SERIES
 STACKING HEIGHT (H) (UNIT : mm)

HEADER NO.	RECEPTACLE NO.	BK13H- ** DS/2-0.35V05(**)	BK13H- ** DS/2-0.35V10(**)
BK13H- ** DP/2-0.35V03(**)		H = 0.8	H = 1.3
BK13H- ** DP/2-0.35V05(**)		H = 1.0	H = 1.5
BK13H- ** DP/2-0.35V10(**)			H = 2.0

	DRAWING NO.	EDC3-633785-95	PART NO.	BK13H-60DP/2-0.35V05(895)	
	SCALE	10:1	CODE NO.	CL 6671-0021-7-895	4/4
UNITS	HIROSE KOREA CO., LTD.				