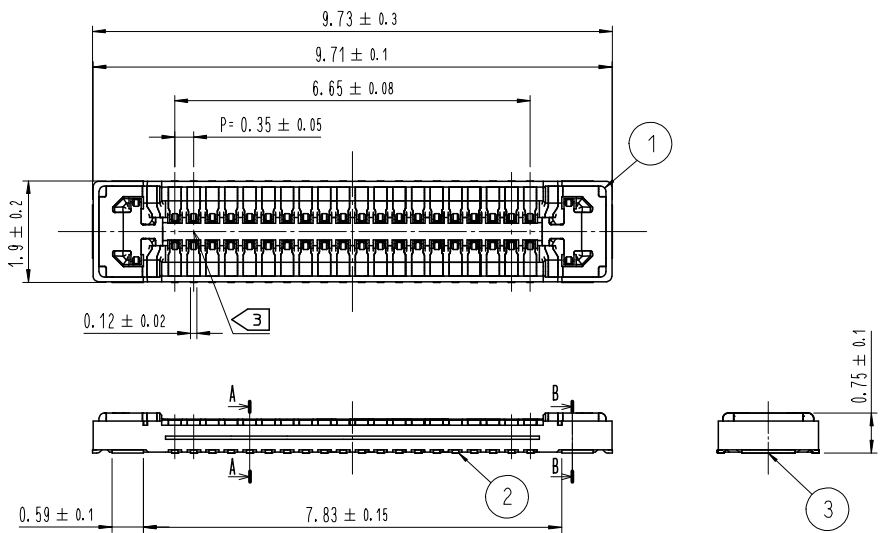


Apr.1.2026 Copyright 2026 HIROSE ELECTRIC CO., LTD. All Rights Reserved.  
 use of consideration for using Automotive equipment / device which demand high reliability, kindly contact our sales window correspond

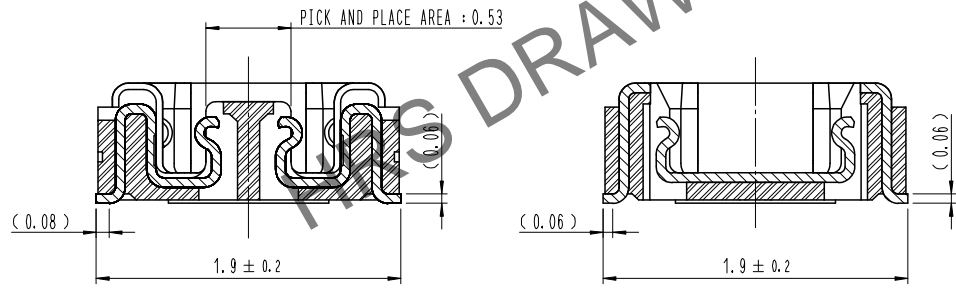
DRAWING FOR REFERENCE  
 This is subject to change without notice

COUNT	DESCRIPTION OF REVISIONS	B	Y	CHKD	DATE	COUNT	DESCRIPTION OF REVISIONS	B	Y	CHKD	DATE
2	RE-6-3073			PSH	JHW	23.02.28					
6	RE-6-3280			PSH	JHW	23.08.04					
5	RE-6-3921			JSW	JHW	25.01.15					



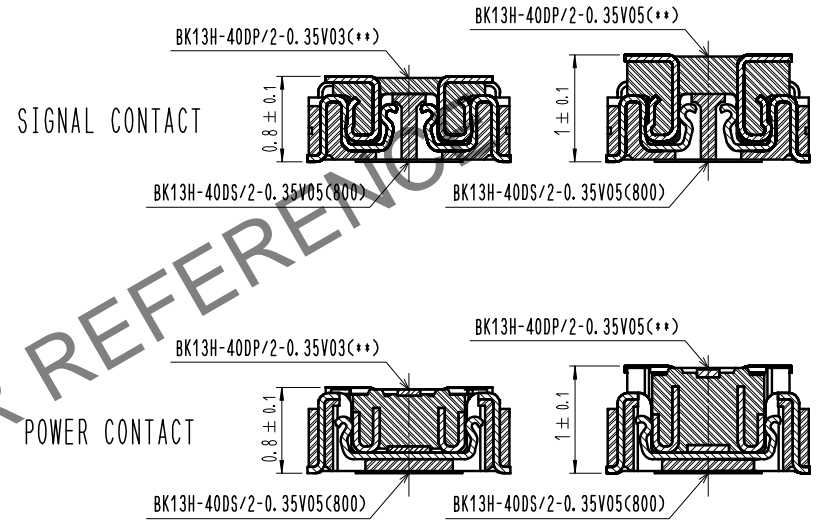
A-A(30:1)

B-B(30:1)



NOTE 1. ALL LEAD CO-PLANARITY SHALL BE 0.08mm MAX.  
 2. CONTACT PLATING SPECIFICATIONS  
 CONTACT AREA : GOLD 0.05 μm MIN  
 SMT LEAD : GOLD 0.05 μm MIN  
 UNDERPLATING : NICKEL 1 μm MIN  
 ( SURFACE : SEALING )  
 ( NO GOLD PLATING IS ACCEPTABLE EXCEPT CONTACT POINTS AND SMT LEADS. )  
 3. CAV NO. ARE INDICATED IN APPROX POSITION SHOWN.

ENGAGEMENT FIGURE (20:1)



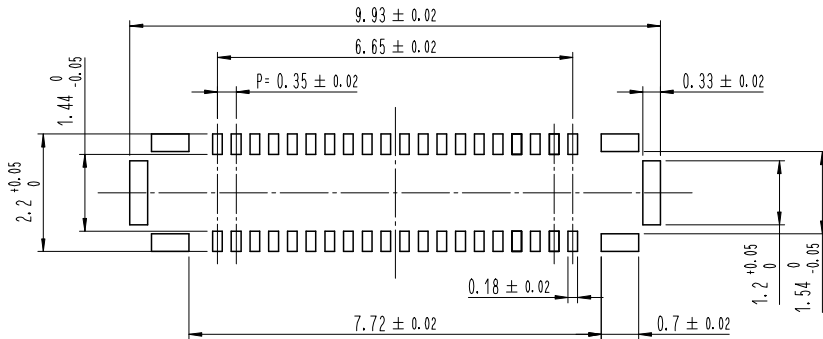
4. STACKING HEIGHT HIGHER THAN H=1.0 USE RECEPTACLE BK13H-\*\*DS/2-0.35V10. PLEASE REFER TO THE DRAWING PAGE 4.

STACKING HEIGHT (H)

HEADER NO.	RECEPTACLE NO.	BK13H-40DS/2-0.35V05(800)	(UNIT : mm)
BK13H-40DP/2-0.35V03(**)		H = 0.8	
BK13H-40DP/2-0.35V05(**)		H = 1.0	
BK13H-40DP/2-0.35V10(**)			

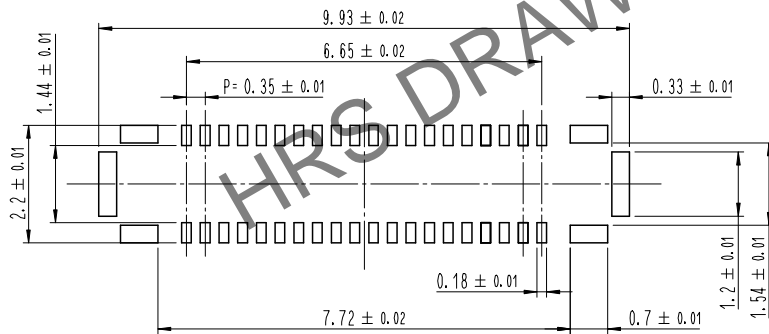
4	PS	CLEAR (EMBOSSED CARRIER TAPE)					
3	COPPER ALLOY	2					
2	COPPER ALLOY	2			6	PS	BLACK (PLASTIC REEL)
1	LCP	UL94 V-0, BLACK			5	POLYESTER	CLEAR (COVER TAPE)
NO.	MATERIAL	FINISH, REMARKS	NO.	MATERIAL	FINISH, REMARKS		
REMARKS			DRAWN	DESIGNED	CHECKED	APPROVED	RELEASED
			S. H. PARK	S. H. PARK	Y. J. LEE	H. W. JO	25.01.15
			23.03.13	23.03.13	23.03.13	23.03.13	
CODE NO. (OLD)	DRAWING NO.	EDC3-633813-80	PART NO.	BK13H-40DS/2-0.35V05(800)			
SCALE	10:1		CODE NO.	CL 6671-0029-9-800			
UNITS	mm	HIROSE KOREA CO., LTD.					

6 **RECOMMENDED PCB LAYOUT**

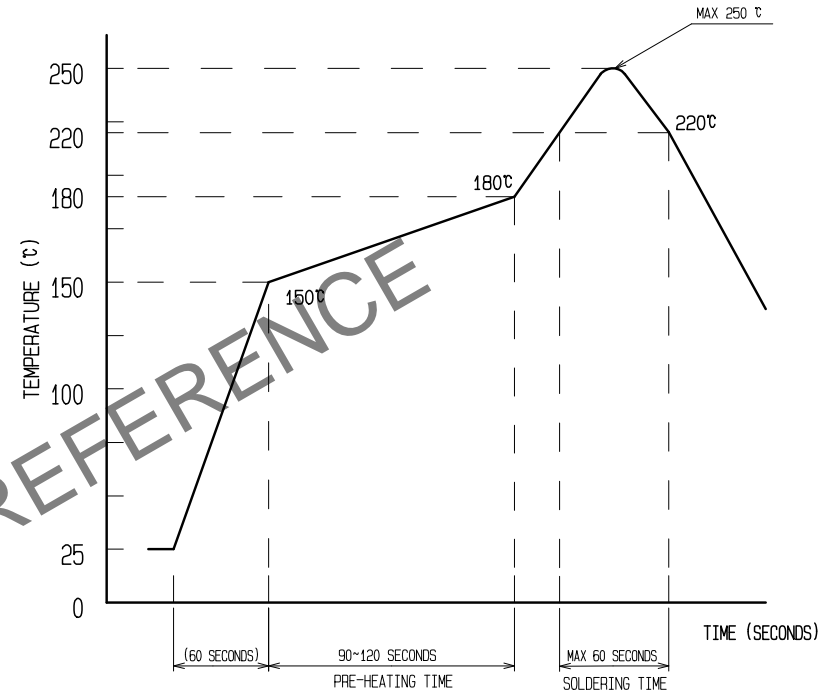


**RECOMMENDED METAL MASK DIMENSIONS**

MATAL MASK THICKNESS : 80 μm



5 **RECOMMENDED REFLOW TEMPERATURE PROFILE USING LEAD-FREE SOLDER PASTE.**



- REFLOW METHOD : N<sub>2</sub>REFLOW  
 NUMBER OF REFLOW CYCLES : 2 CYCLES MAX.  
 1) REFLOW TIME  
 DURATION ABOVE 220°C, 60 SEC MAX.  
 (PEAK TEMPERATURE : 250°C MAX)  
 2) PRE-HEAT TIME  
 PRE-HEAT TEMPERATURE(MIN): 150°C  
 PRE-HEAT TEMPERATURE(MAX): 180°C  
 PRE-HEAT TIME: 90-120 SEC.

5 THIS TEMPERATURE PROFILE IS PER THE CONDITIONS SHOWN ABOVE. ADDITIONAL FACTORS, SUCH AS SOLDER PASTE TYPE, PCB SIZE AND OTHER MOUNTED COMPONENTS COULD AFFECT THE PROFILE. THEREFORE, A THOROUGH EVALUATION OF MOUNTING CONDITION IS REQUIRED PRIOR TO PRODUCTION. TEMPERATURE IS MEASURED AT CONTACT LEAD.

- 6 PLEASE CONTACT US IN CASE YOU WILL MAKE DIFFERENT SETTINGS FROM OUR RECOMMENDATION.  
 7 . THIS PRODUCT SATISFIES HALOGEN FREE REQUIREMENTS DEFINED AS 900ppm MAXIMUM CHLORINE, 900ppm MAXIMUM BROMINE, AND 1500ppm MAXIMUM TOTAL OF CHLORINE AND BROMINE.  
 8 . THIS PRODUCT COMPLY WITH ROHS.

 SCALE 10:1 UNITS	DRAWING NO. EDC3-633813-80	PART NO.  BK13H-40DS/2-0.35V05(800)
	HIROSE KOREA CO., LTD.	CODE NO. CL 6671-0029-9-800

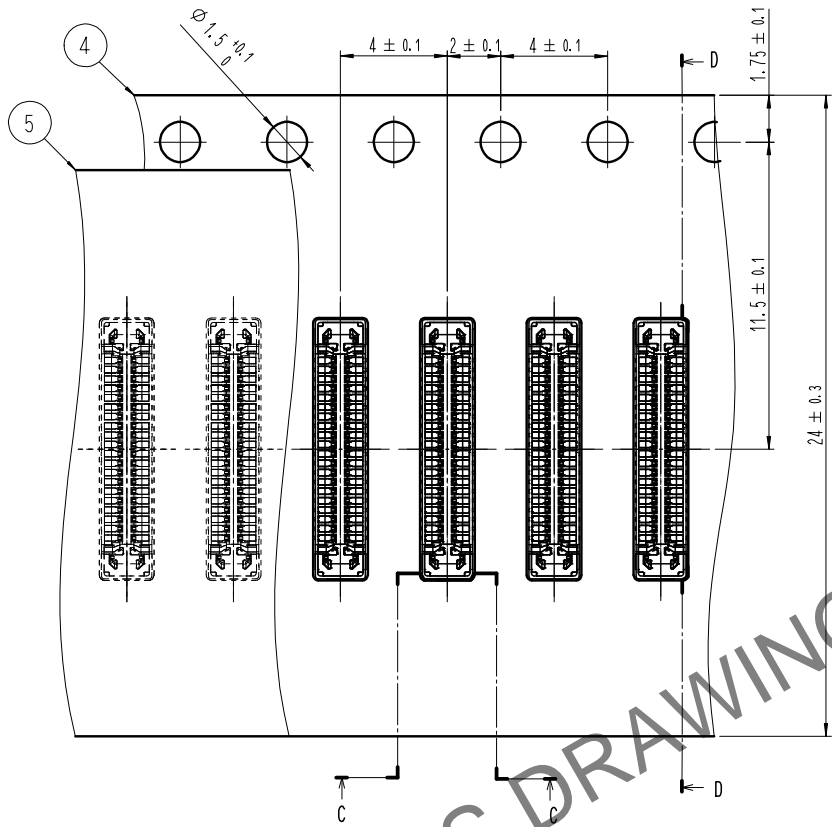
Apr.1.2026 Copyright 2026 HIROSE ELECTRIC CO., LTD. All Rights Reserved.  
 use of consideration for using Automotive equipment / device which demand high reliability, kindly contact our sales window correspond

EMBOSSED CARRIER TAPE PACKAGING (5:1)

STYLE AND DIMENSION OF REEL (FREE)

A  
B  
C  
D  
E  
F

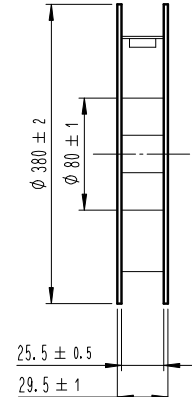
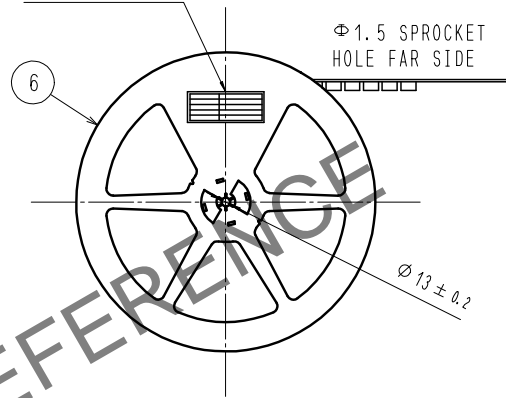
A  
B  
C  
D  
E  
F



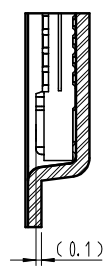
D-D (5:1)



BAR-CODE LABEL

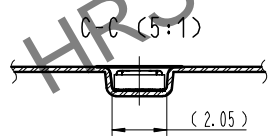


E (10:1)

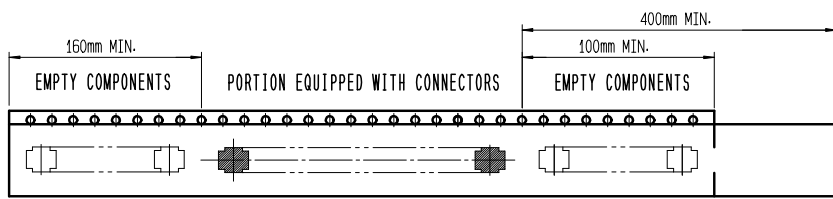


DETAIL OF PART No. LABEL

SUPPLIER	HIROSE ELECTRIC CO., LTD.
QUANTITY	20,000
PART NO.	BK13H-40DS/2-0.35V05(800)
CODE NO.	CL 6671-0029-9-800
DATE OF MANUFACTURED	** * * *
生産月日	年 月 日
図番	** * * *
品名	BK13H-40DS/2-0.35V05(800)
納入数量	20,000個
納入者	HIROSE KOREA



DIRECTION OF UNREELING



- 9 . PER REEL 20,000 CONNECTORS.
- 10 . THE DIMENSIONS IN PARENTHESES ARE FOR REFERENCE.
- 11 . REFER TO JIS C 806, IEC-60286-3 (PACKAGING OF COMPONENTS FOR AUTOMATIC HANDLING)

11 TAPING(FREE)

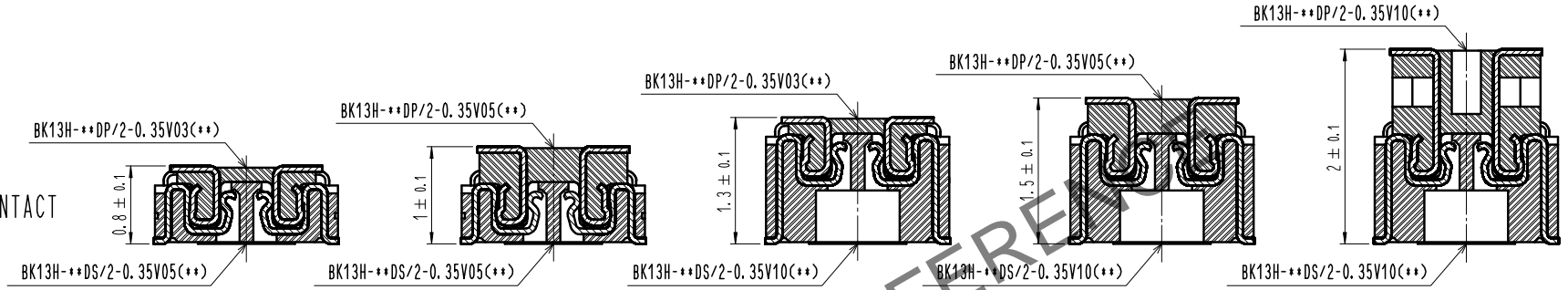
DRAWING NO.	EDC3-633813-80	PART NO.	BK13H-40DS/2-0.35V05(800)
	SCALE		10:1
UNITS	HIRS HIROSE KOREA CO., LTD.		

1 2 3 4 5 6 7 8

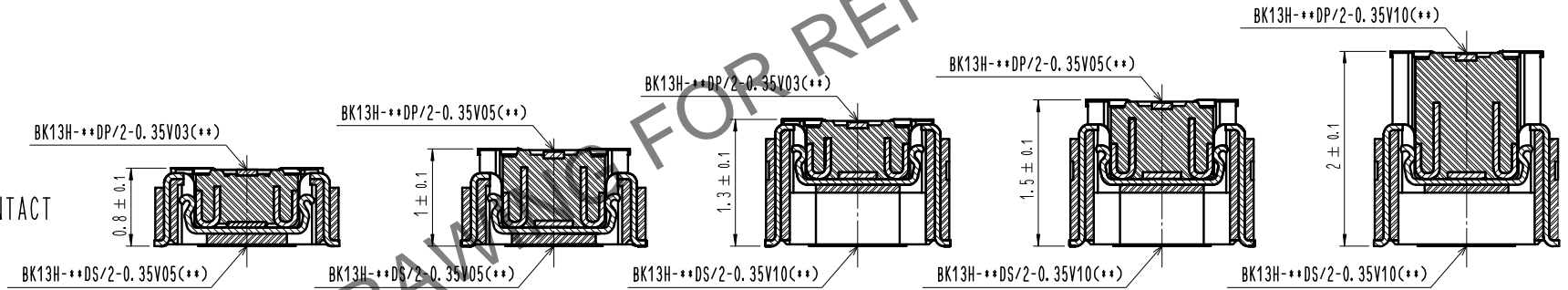
3/4

△ BK13H SERIES  
 ENGAGEMENT FIGURE (20:1)

SIGNAL CONTACT



POWER CONTACT



△ BK13H SERIES  
 STACKING HEIGHT (H)  
 (UNIT : mm)

HEADER NO.	RECEPTACLE NO.	BK13H-**-DP/2-0.35V05(**)	BK13H-**-DS/2-0.35V10(**)
	BK13H-**-DP/2-0.35V03(**)	H = 0.8	H = 1.3
	BK13H-**-DP/2-0.35V05(**)	H = 1.0	H = 1.5
	BK13H-**-DP/2-0.35V10(**)		H = 2.0

	DRAWING NO.	EDC3-633813-80	PART NO.	BK13H-40DS/2-0.35V05(800)	
	SCALE	10:1	CODE NO.	CL 6671-0029-9-800	4/4
	UNITS	HRS HIROSE KOREA CO., LTD.			