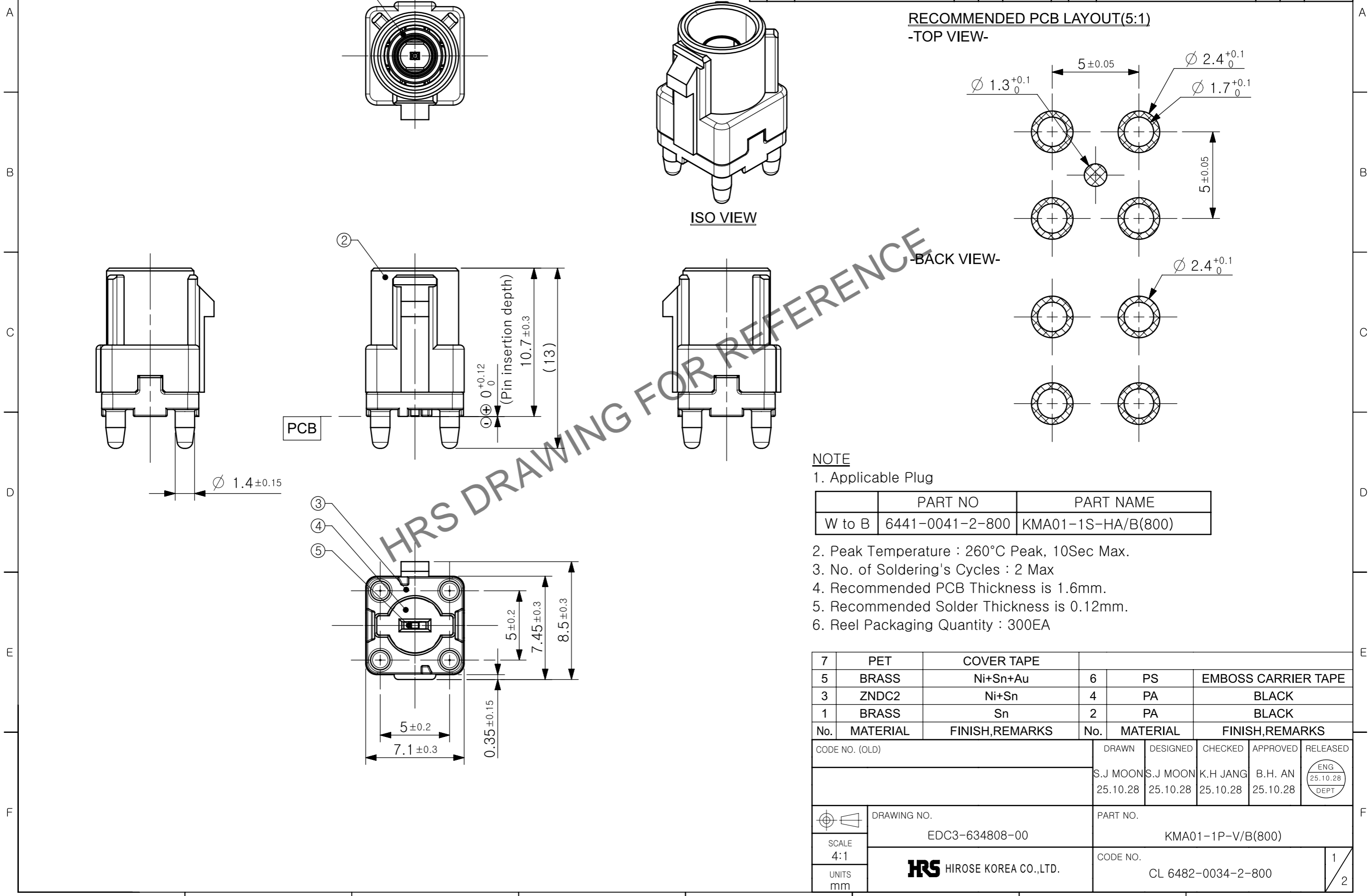


Mar.1.2026 Copyright 2026 HIROSE ELECTRIC CO., LTD. All Rights Reserved.
In case of consideration for using Automotive equipment / device which demand high reliability, kindly contact our sales window correspondents.

ELV. RoHS COMPLIANT

△數 COUNT	訂正記事 DESCRIPTION OF REVISIONS	擔當 BY	檢圖 CHKD	年月日 DATE	△數 COUNT	訂正記事 DESCRIPTION OF REVISIONS	擔當 BY	檢圖 CHKD	年月日 DATE



RECOMMENDED PCB LAYOUT(5:1)
-TOP VIEW-

-BACK VIEW-

NOTE

1. Applicable Plug
2. Peak Temperature : 260°C Peak, 10Sec Max.
3. No. of Soldering's Cycles : 2 Max
4. Recommended PCB Thickness is 1.6mm.
5. Recommended Solder Thickness is 0.12mm.
6. Reel Packaging Quantity : 300EA

	PART NO	PART NAME
W to B	6441-0041-2-800	KMA01-1S-HA/B(800)

No.	MATERIAL	FINISH,REMARKS	No.	MATERIAL	FINISH,REMARKS
7	PET	COVER TAPE	6	PS	EMBOSS CARRIER TAPE
5	BRASS	Ni+Sn+Au	4	PA	BLACK
3	ZNDC2	Ni+Sn	2	PA	BLACK
1	BRASS	Sn			

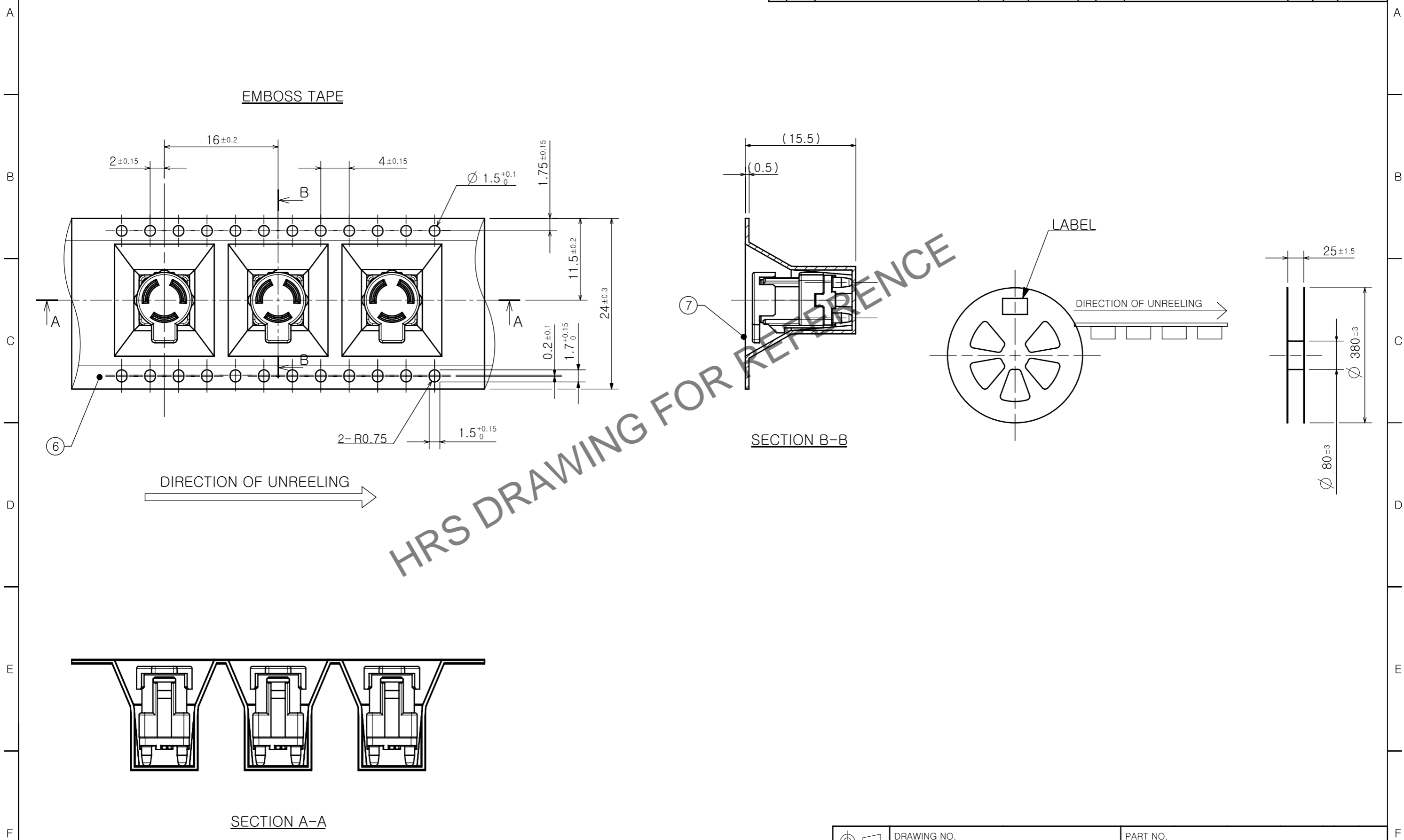
CODE NO. (OLD)	DRAWN	DESIGNED	CHECKED	APPROVED	RELEASED
	S.J MOON 25.10.28	S.J MOON 25.10.28	K.H JANG 25.10.28	B.H. AN 25.10.28	ENG 25.10.28 DEPT

DRAWING NO. EDC3-634808-00	PART NO. KMA01-1P-V/B(800)
SCALE 4:1	CODE NO. CL 6482-0034-2-800
UNITS mm	1/2

Mar.1.2026 Copyright 2026 HIROSE ELECTRIC CO., LTD. All Rights Reserved.
 In case of consideration for using Automotive equipment / device which demand high reliability, kindly contact our sales window correspondents.

PACKING STYLE

△數 COUNT	訂正記事 DESCRIPTION OF REVISIONS	擔當 BY	檢圖 CHKD	年月日 DATE	△數 COUNT	訂正記事 DESCRIPTION OF REVISIONS	擔當 BY	檢圖 CHKD	年月日 DATE



HRS DRAWING FOR REFERENCE

 SCALE 2:1 UNITS mm	DRAWING NO. EDC3-634808-00	PART NO. KMA01-1P-V/B(800)	2 / 2
	 HIROSE KOREA CO.,LTD.	CODE NO. CL 6482-0034-2-800	