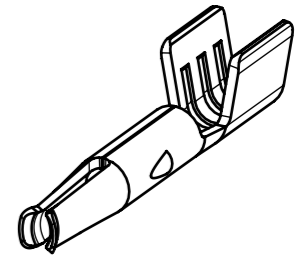
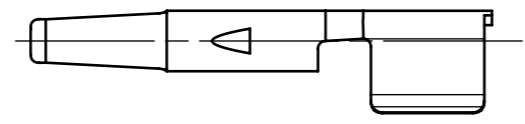
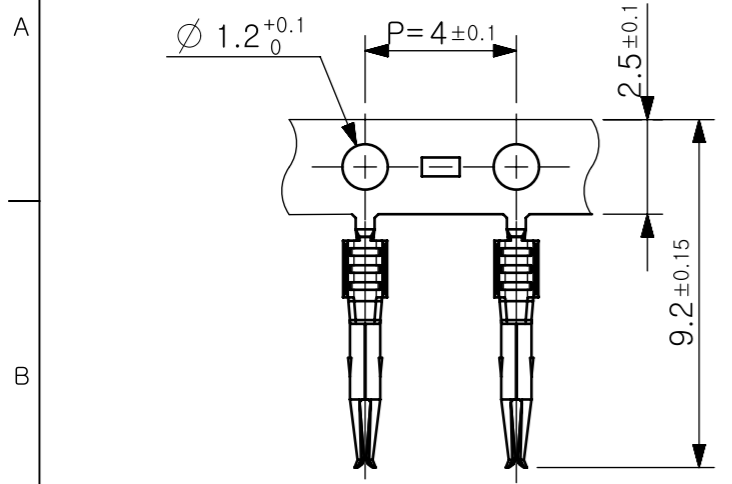


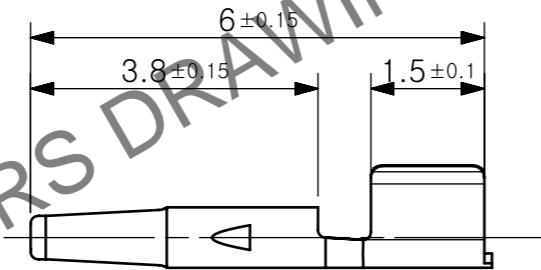
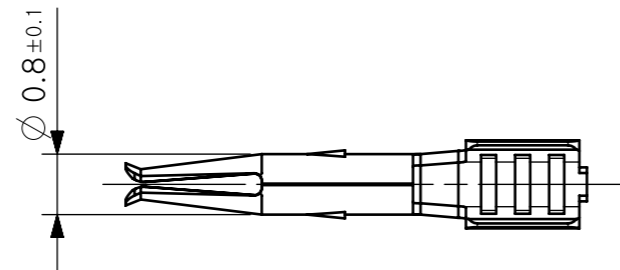
Mar.1.2026 Copyright 2026 HIROSE ELECTRIC CO., LTD. All Rights Reserved.  
In case of consideration for using Automotive equipment / device which demand high reliability, kindly contact our sales window correspondents.

ELV. RoHS COMPLIANT

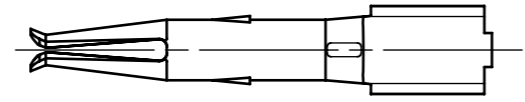
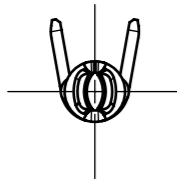
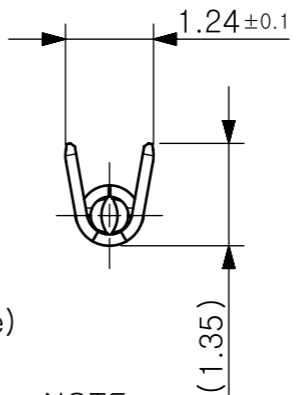
| △數    |  | 訂正記事                     | 擔當 | 檢圖   | 承認   | 年月日  | △數    |  | 訂正記事                     | 擔當 | 檢圖   | 承認   | 年月日  |
|-------|--|--------------------------|----|------|------|------|-------|--|--------------------------|----|------|------|------|
| COUNT |  | DESCRIPTION OF REVISIONS | BY | CHKD | APPD | DATE | COUNT |  | DESCRIPTION OF REVISIONS | BY | CHKD | APPD | DATE |
|       |  |                          |    |      |      |      |       |  |                          |    |      |      |      |
|       |  |                          |    |      |      |      |       |  |                          |    |      |      |      |



ISO VIEW



0.1 (MAX)  
(Cut Allowable Range)



HRS DRAWING FOR REFERENCE

- NOTE**  
 1. 1REEL : 10,000EA  
 2. Applicable Cable : Other than 1.5D

|                                  |              |                               |                                |                      |                      |                     |                         |
|----------------------------------|--------------|-------------------------------|--------------------------------|----------------------|----------------------|---------------------|-------------------------|
| 1                                | COPPER ALLOY | Ni+Sn+Au                      |                                |                      |                      |                     |                         |
| No.                              | MATERIAL     | FINISH,REMARKS                |                                |                      |                      |                     |                         |
| CODE NO. (OLD)                   |              |                               | DRAWN                          | DESIGNED             | CHECKED              | APPROVED            | RELEASED                |
|                                  |              |                               | S.J MOON<br>25.10.28           | S.J MOON<br>25.10.28 | K.H JANG<br>25.10.28 | B.H. AN<br>25.10.28 | ENG<br>25.10.28<br>DEPT |
| DRAWING NO.<br>EDC3-634422-00    |              | PART NO.<br>KMA01-3.0SCF(800) |                                |                      |                      |                     |                         |
| SCALE<br>10:1                    | UNITS<br>mm  |                               | CODE NO.<br>CL 6451-0009-7-800 |                      |                      |                     | 1<br>1                  |
| <b>HRS</b> HIROSE KOREA CO.,LTD. |              |                               |                                |                      |                      |                     |                         |