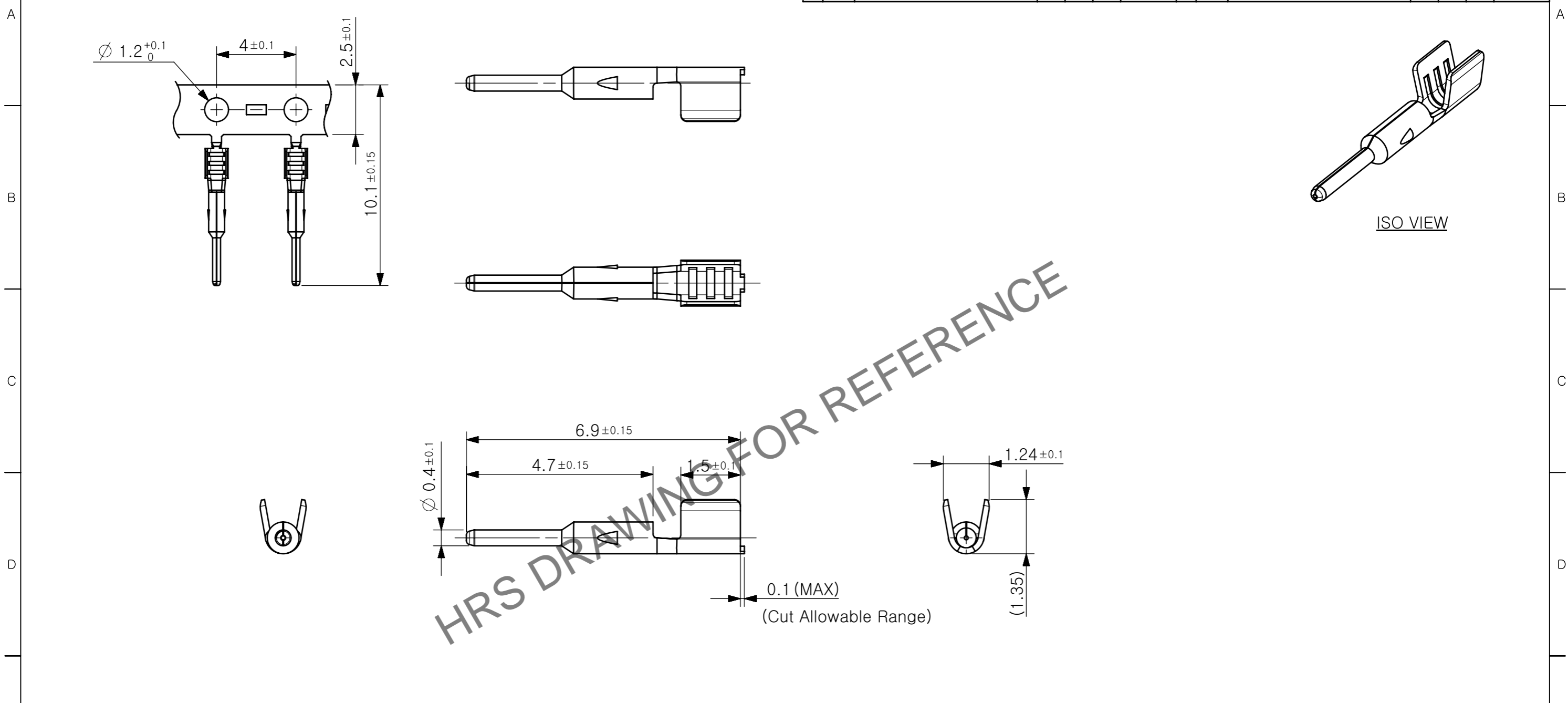


Apr.1.2026 Copyright 2026 HIROSE ELECTRIC CO., LTD. All Rights Reserved.  
In case of consideration for using Automotive equipment / device which demand high reliability, kindly contact our sales window correspondents.

ELV. RoHS COMPLIANT

△數		訂正記事				△數		訂正記事			
COUNT		DESCRIPTION OF REVISIONS				COUNT		DESCRIPTION OF REVISIONS			
BY	CHKD	APPD	DATE		BY	CHKD	APPD	DATE			



HRS DRAWING FOR REFERENCE

- NOTE**  
 1. 1REEL : 10,000EA  
 2. Applicable Cable : Other than 1.5D

1	COPPER ALLOY	Ni+Sn+Au						
No.	MATERIAL	FINISH,REMARKS						
CODE NO. (OLD)			DRAWN	DESIGNED	CHECKED	APPROVED	RELEASED	
			S.J MOON 25.10.28	S.J MOON 25.10.28	K.H JANG 25.10.28	B.H. AN 25.10.28	ENG 25.10.28 DEPT	
DRAWING NO. EDC3-634824-00		PART NO. KMA01-3.0PCF(800)						
SCALE 10:1	UNITS mm		CODE NO. CL 6452-0005-7-800					1 1
HRS HIROSE KOREA CO.,LTD.								