

Mar.1.2026 Copyright 2026 HIROSE ELECTRIC CO., LTD. All Rights Reserved.
In case of consideration for using Automotive equipment / device which demand high reliability, kindly contact our sales window correspondents.

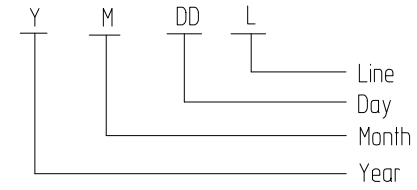
DRAWING FOR PACKING

DIRECTION OF UNREELING

[NOTE]

1) Co-planarity of SMT solder tails : 0.1mm Max.

2) Lot marking : 5 digits (YMDDL)



[Chart-1] LOT MARKING

Year	Month	Day	Production Line	Ex. Mark	MARK
2020	0	Jan. 1	1st 01	Sample	S
2021	1	Feb. 2	2nd 02	MP Manual#1	1
2022	2	Mar. 3	3th 03	MP Manual#2	2
2023	3	Apr. 4	4th 04	MP Manual#3	3
2024	4	May 5	5th 05	MP Manual#4	4
2025	5	Jun. 6	6th 06
2026	6	Jul. 7	7th 07	MP Auto#1	A
2027	7	Aug. 8	8th 08	MP Auto#2	B
2028	8	Sep. 9	9th 09	MP Auto#3	C
2029	9	Oct. A	10th 10	MP Auto#4	D
		Nov. B	11th 11	MP Auto#5	E
		Dec. C

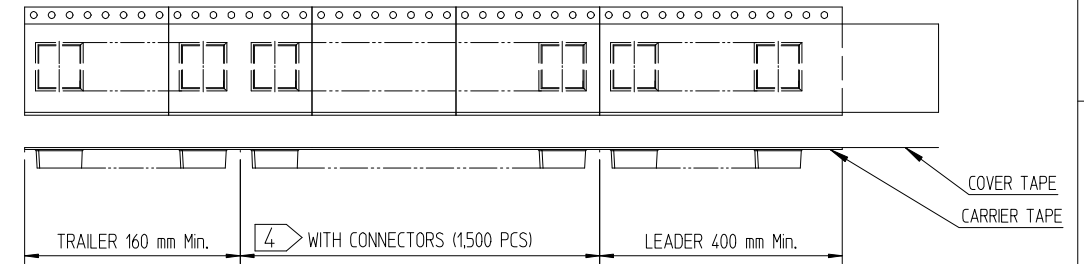
3) P/N Separation Marking :

P/N	Marking	Code No.	Description
CX90B5A-16P1	A1	CL 6285-0003-5-000	Shell dip 0.6mm, without Guide-post

4. Carrier tape packing

Packing quantity : 1,500EA/REEL

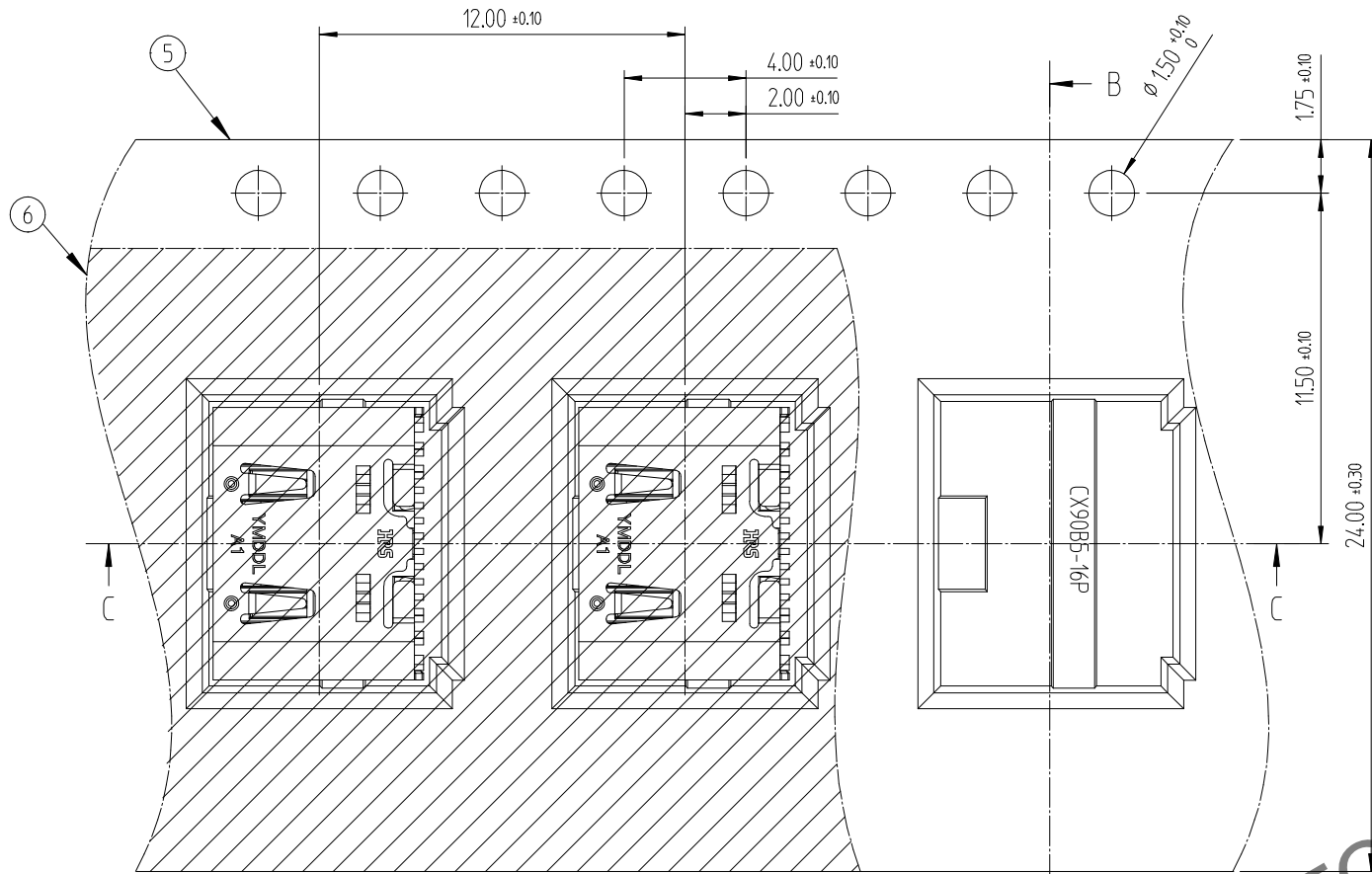
Cover tape peeling force : 10~130gf(0.1~1.3N) @ 300mm/min



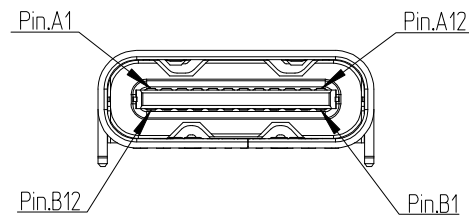
5) Pick up area

6. Appearance Criteria : DOC250922-016

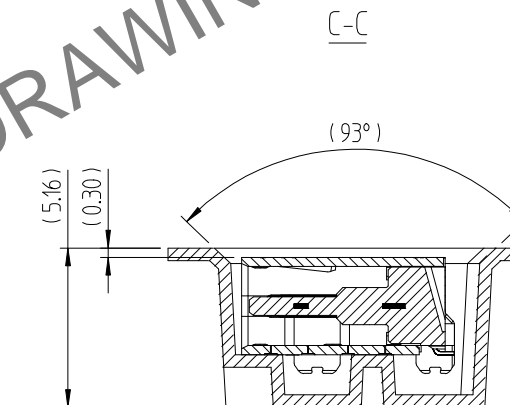
HRS DRAWING FOR REFERENCE



PIN ASSIGNMENT (FRONT VIEW)

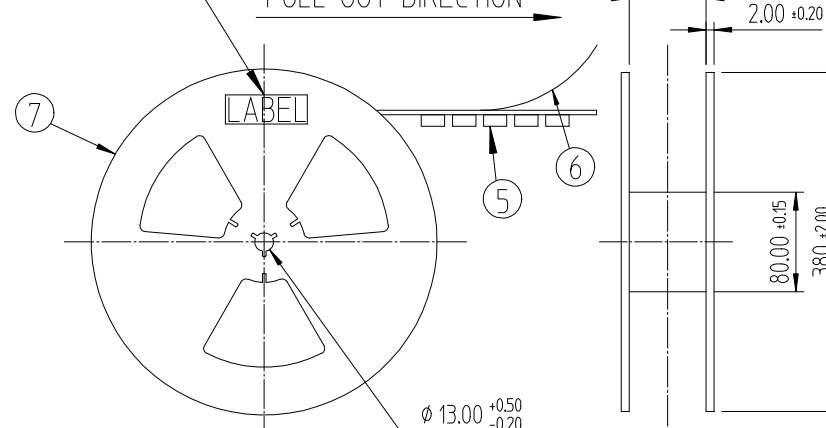


A1	A2	A3	A4	A5	A6	A7	A8	A9	A10	A11	A12
GND		Vbus	CC1	D+	D-	SBU1	Vbus				GND
GND		Vbus	SBU2	D-	D+	CC2	Vbus				GND
B12	B11	B10	B9	B8	B7	B6	B5	B4	B3	B2	B1



LABEL POSITION

PULL OUT DIRECTION



7	REEL BOBBIN	PS	-	-
6	COVER TAPE	PET	-	-
5	EMBOSS TAPE	PS	Thermo-Comperssion Sealing	-
NO.	DESCRIPTIONS	MATERIAL	FINISH	REMARKS
DRAWING NO. EDC3-634598-00		PART NO. CX90B5A-16P1		
SCALE 4:1		CODE NO. CL 6285-0003-5-000		
UNITS mm		HRS HIROSE KOREA CO.,LTD.		2/2