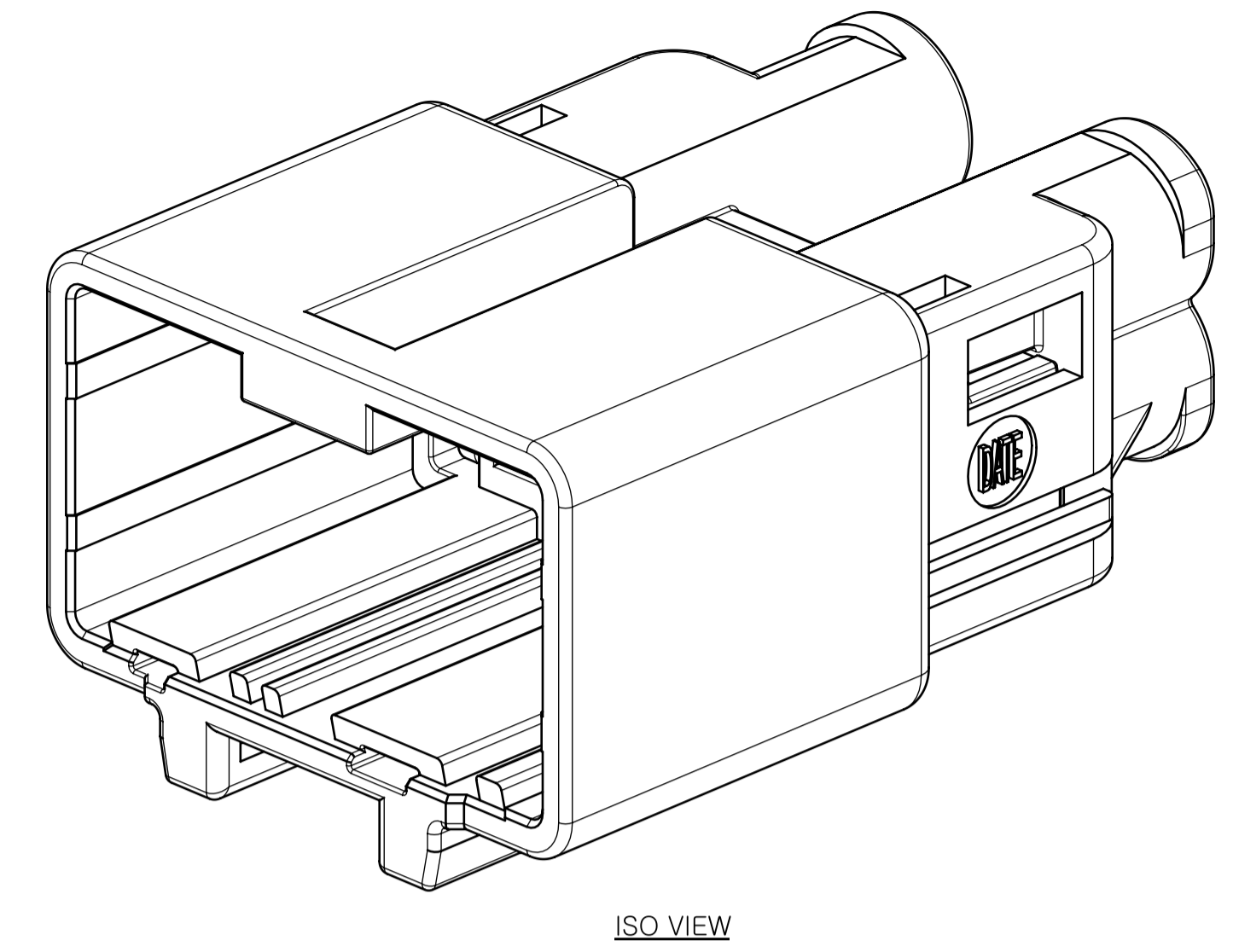
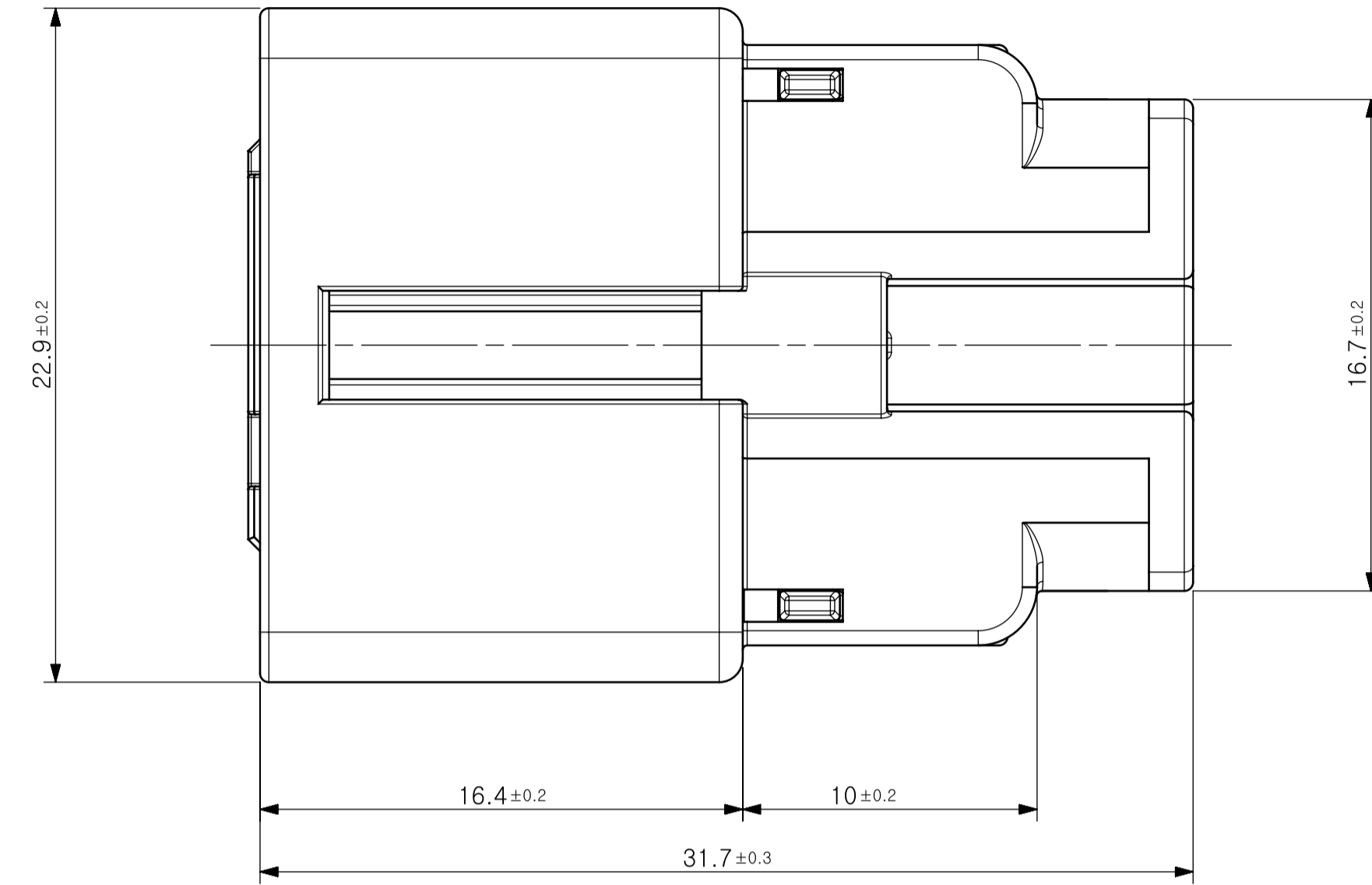
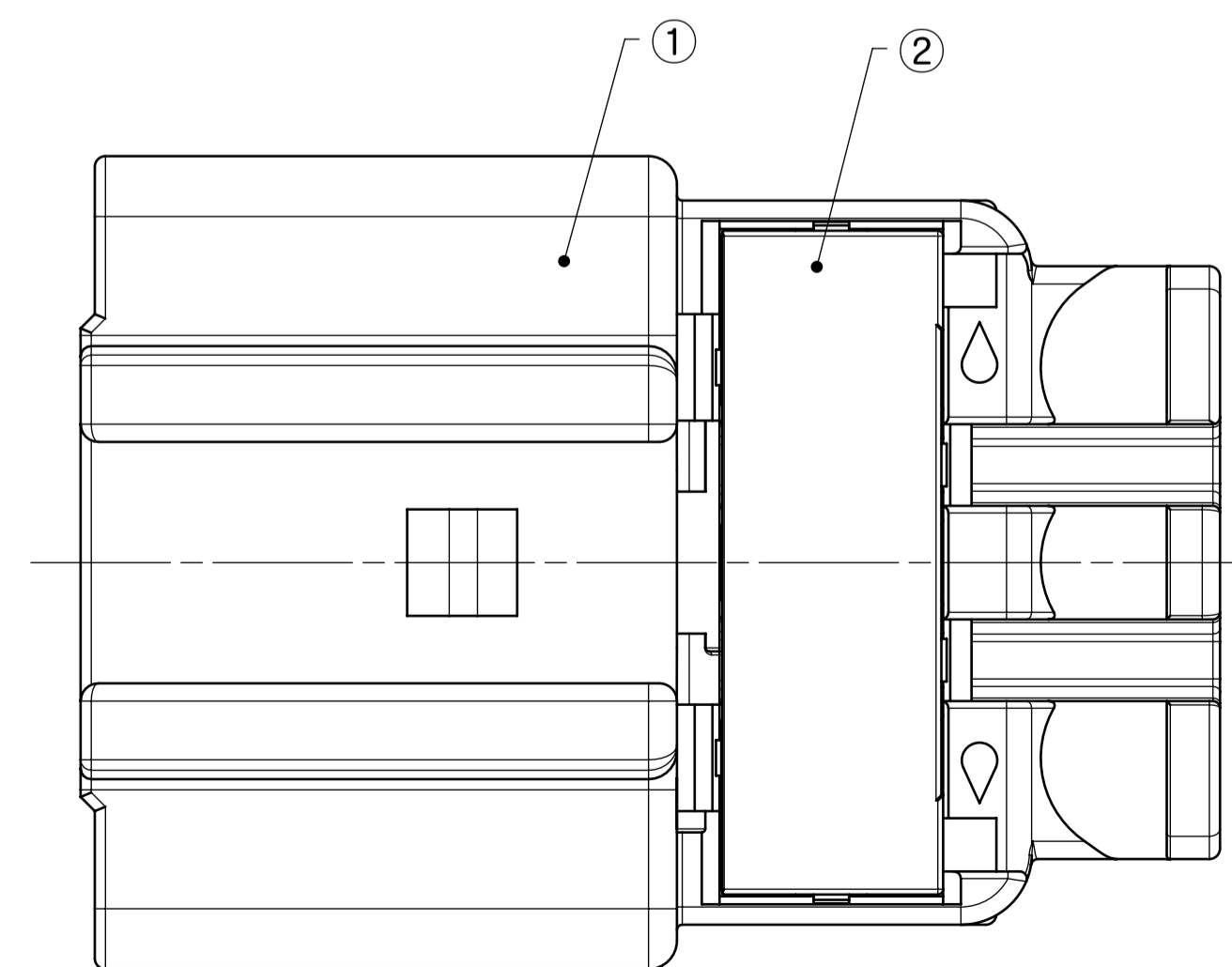
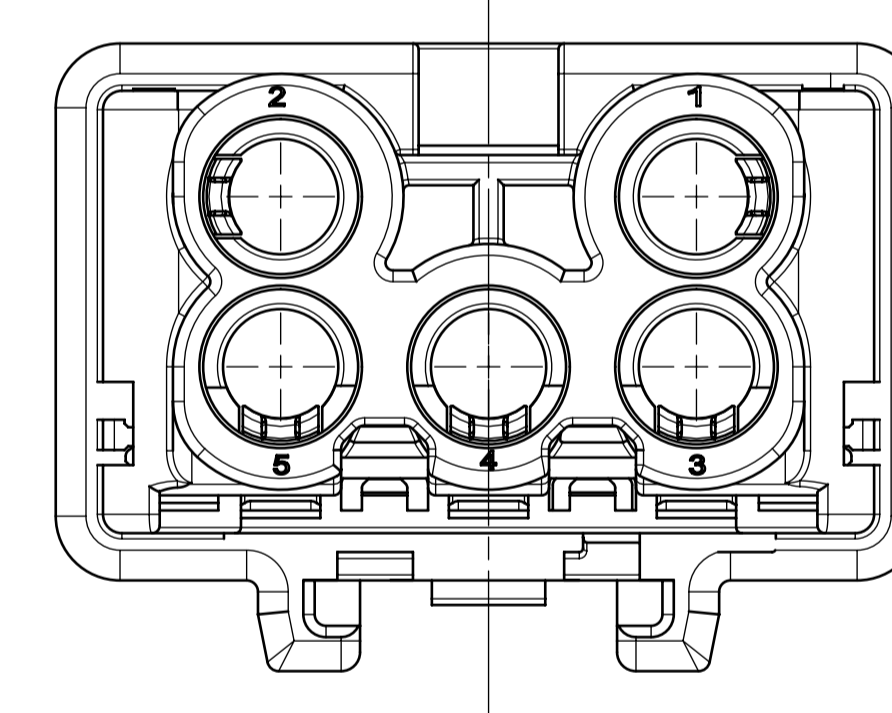
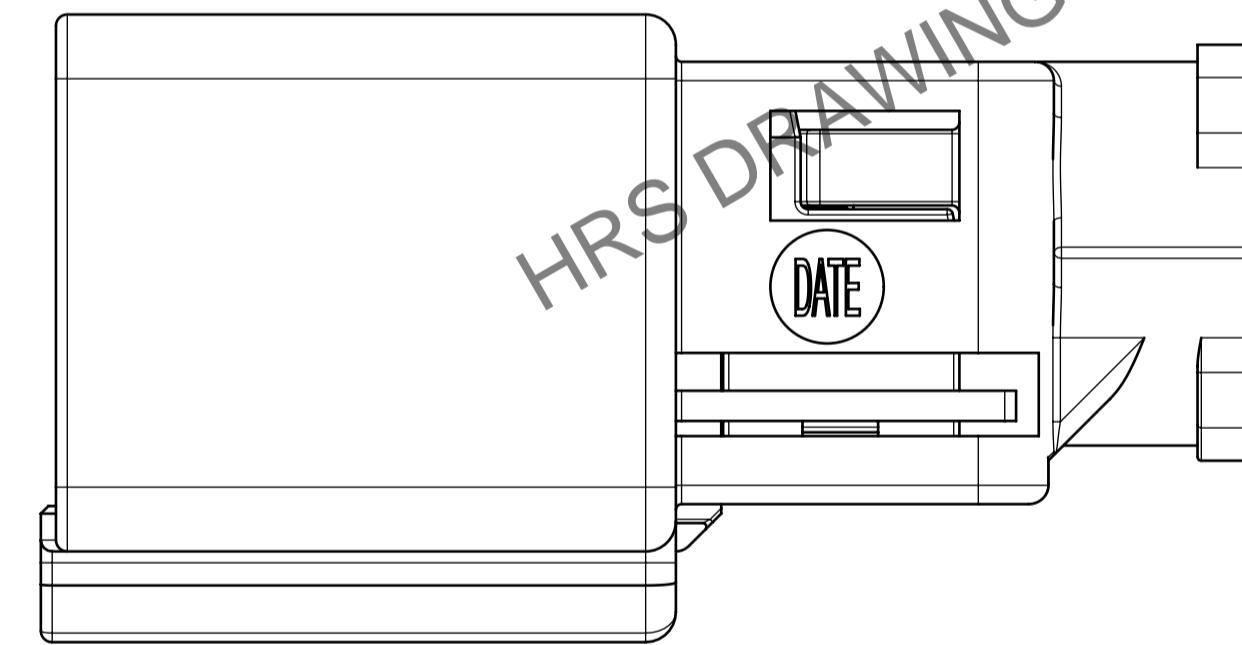
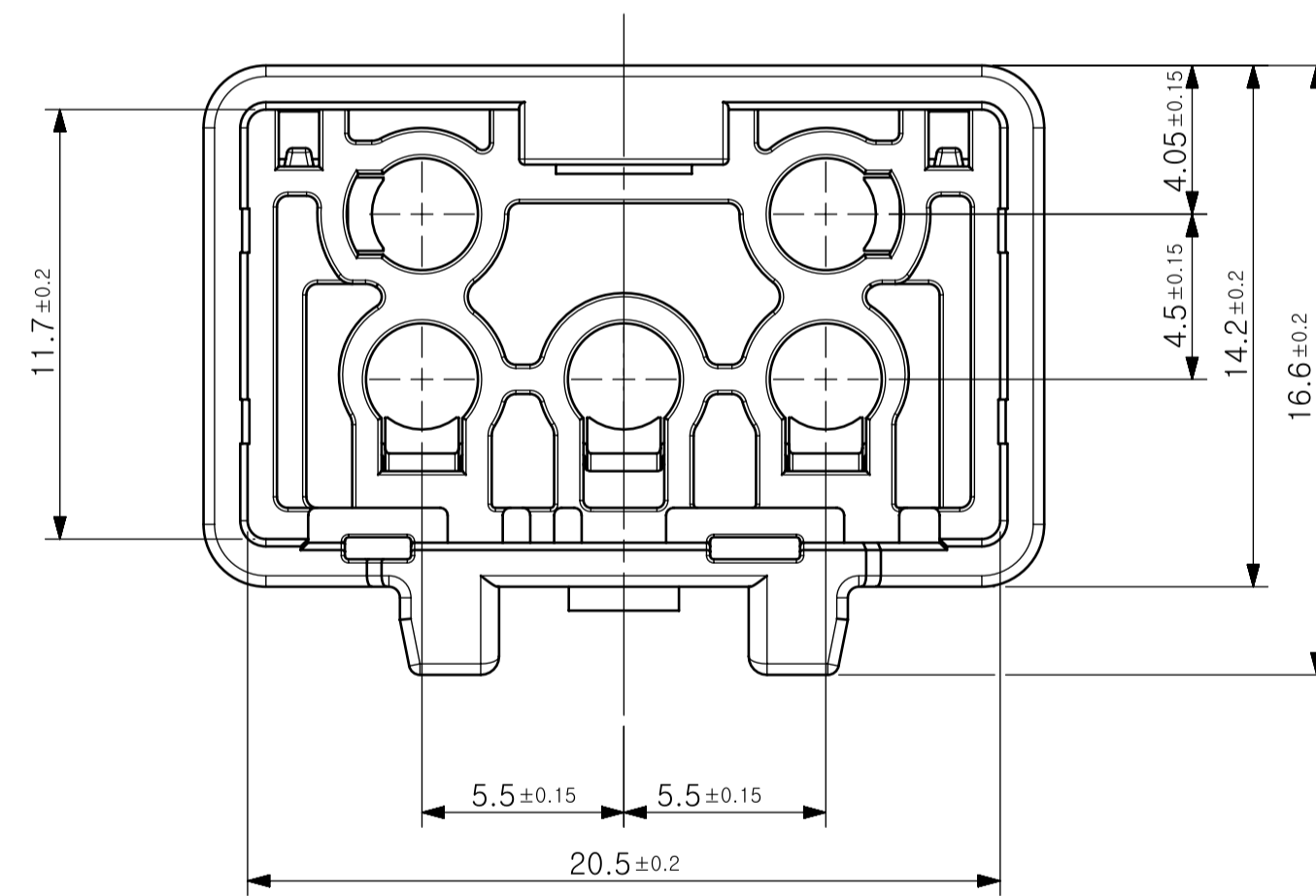


ELV. RoHS COMPLIANT

13				14				15				16					
△數	訂正記事	檢査	年月日	△數	訂正記事	檢査	年月日	△數	訂正記事	檢査	年月日	△數	訂正記事	檢査	年月日		
COUNT	DESCRIPTION OF REVISIONS	BY	CHKD	APPO	DATE	BY	CHKD	APPO	DATE	BY	CHKD	APPO	DATE	BY	CHKD	APPO	DATE



ISO VIEW



HRS DRAWING FOR REFERENCE

NOTE

1. Applicable Terminal

	PART NO	PART NAME
∅3.0	6482-0057-3-800	KMA01-3.0P-SA(03)(800)
TML	6452-0005-7-800	KMA01-3.0PCF(800)
	6459-0005-2-800	KMA01-3.0-SL(03)(800)

2. Applicable Female Connector

	PART NO	PART NAME
W to W	6482-0028-3-800	KMA01-5DS-5.5HA/GR(800)

3. KMA01-5DS-5.5HA/GR TPA is not missing parts and not fully assembled.
- Maintain the first assembly.

1		2	
No.	PBT	No.	PBT
MATERIAL		FINISH.REMARKS	
CODE NO. (OLD)		DRAWN	
		DESIGNED	CHECKED
		APPROVED	RELEASED
		S.J. MOON	S.J. MOON
		25.10.28	J.M. KIM
		25.10.28	B.H. AN
		25.10.28	25.10.28
		ENG	
		DEPT	
DRAWING NO.		PART NO.	
EDC1-611763-00		KMA01-5DP-5.5HA/GR(800)	
SCALE		CODE NO.	
5:1		CL 6482-0030-3-800	
UNITS			
mm			

In case of consideration for using Automotive equipment / device which demand high reliability, kindly contact our sales window correspondents.
Mar.1.2026 Copyright 2026 HIROSE ELECTRIC CO., LTD. All Rights Reserved.