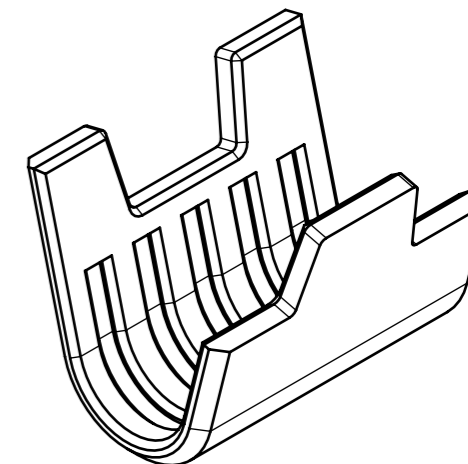
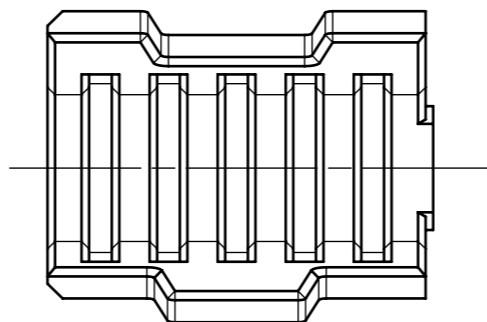
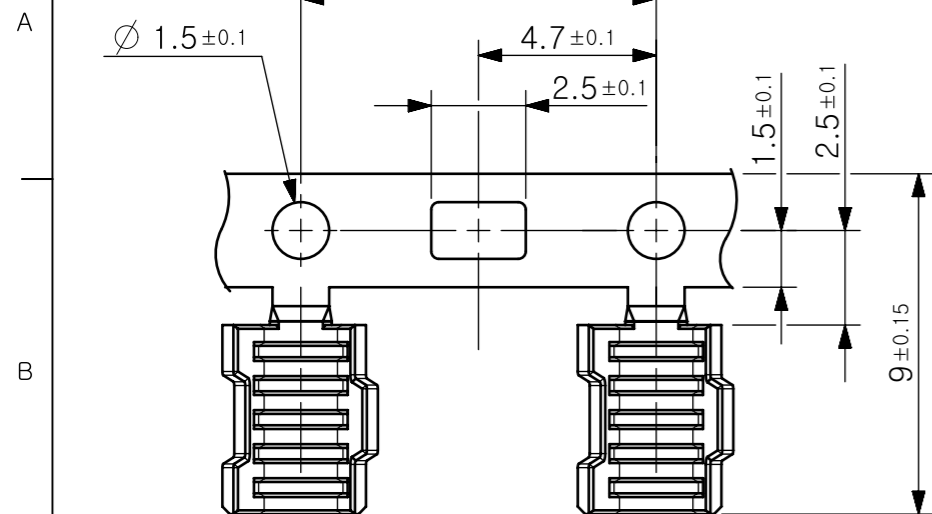


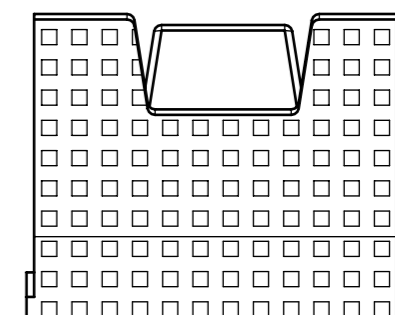
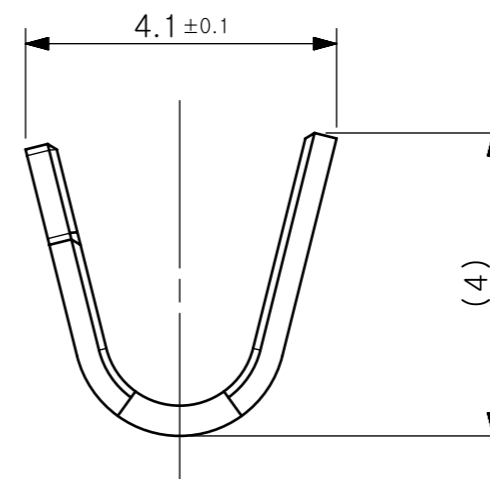
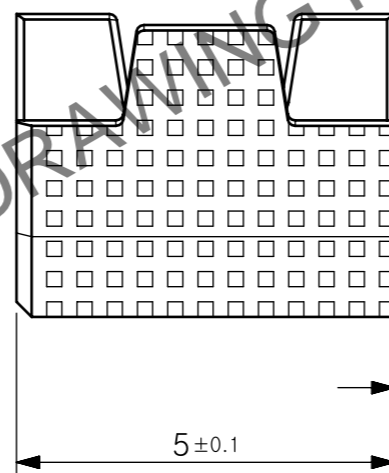
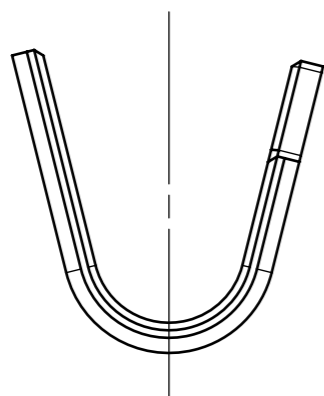
Mar.1.2026 Copyright 2026 HIROSE ELECTRIC CO., LTD. All Rights Reserved.  
In case of consideration for using Automotive equipment / device which demand high reliability, kindly contact our sales window correspondents.

**ELV. RoHS COMPLIANT**

△數 COUNT		訂正記事 DESCRIPTION OF REVISIONS				擔當 BY		檢圖 CHKD		承認 APPD		年月日 DATE		△數 COUNT		訂正記事 DESCRIPTION OF REVISIONS				擔當 BY		檢圖 CHKD		承認 APPD		年月日 DATE	
△														△													
△														△													
△														△													



ISO VIEW



HRS DRAWING FOR REFERENCE

**NOTE**

- 1REEL : 3,000EA
- Applicable Cable : Other than 1.5D

1	BRASS	Sn										
No.	MATERIAL	FINISH,REMARKS										
CODE NO. (OLD)			DRAWN	DESIGNED	CHECKED	APPROVED	RELEASED					
			S.J MOON 25.10.28	S.J MOON 25.10.28	K.H JANG 25.10.28	B.H. AN 25.10.28	ENG 25.10.28 DEPT					
DRAWING NO.			PART NO.									
EDC3-634545-00			KMA01-3.0-SL(03)(800)									
SCALE 10:1			CODE NO.									
UNITS mm			CL 6459-0005-2-800									
							1					
							1					