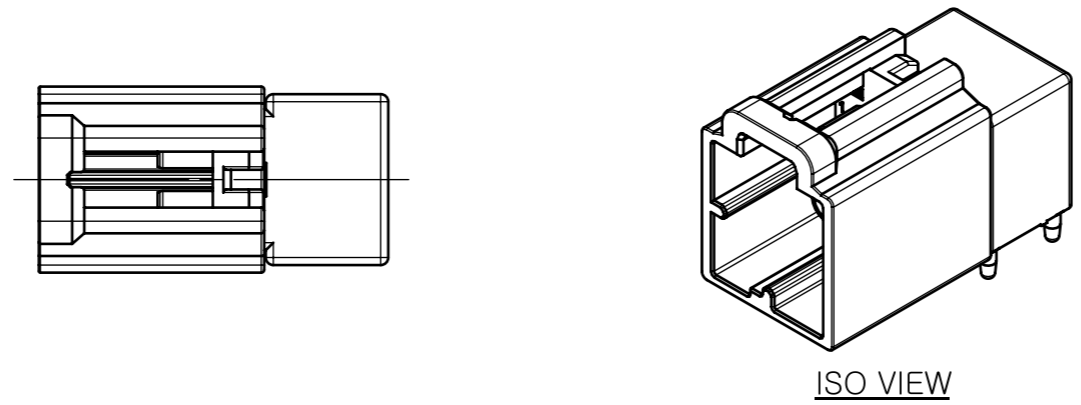


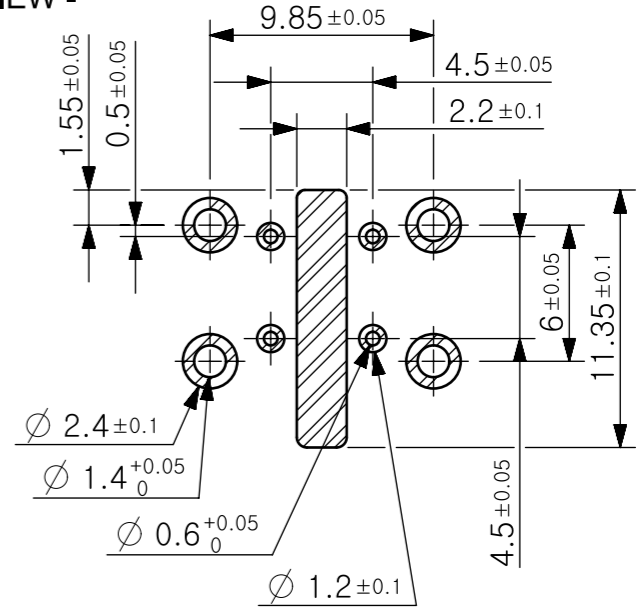
ELV. RoHS COMPLIANT

△數 COUNT	訂正記事 DESCRIPTION OF REVISIONS	擔當 BY	檢圖 CHKD	年月日 DATE	△數 COUNT	訂正記事 DESCRIPTION OF REVISIONS	擔當 BY	檢圖 CHKD	年月日 DATE
7	RE-4-5665	MSJ	ABH	26.03.23					

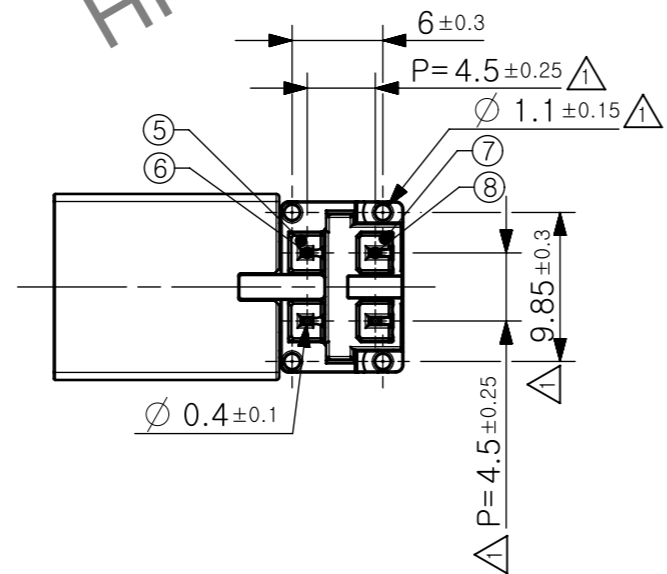
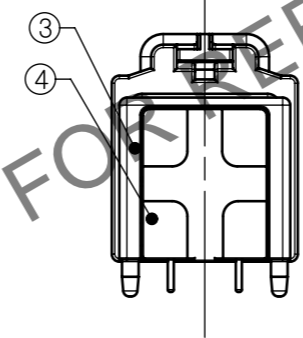
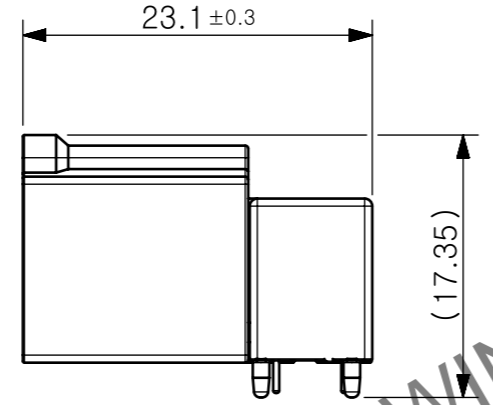
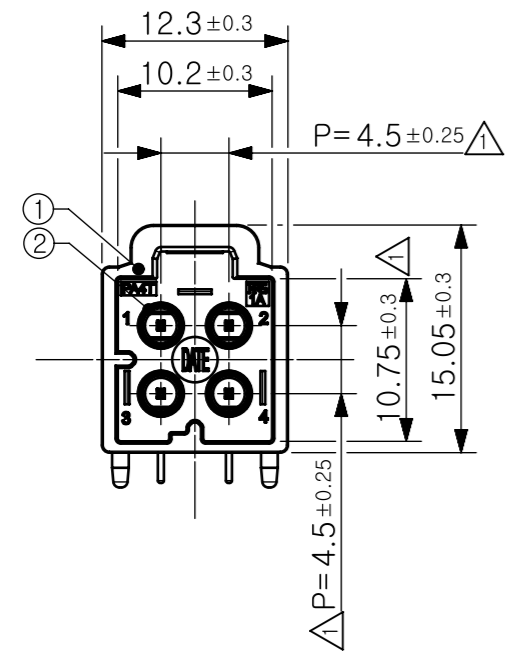
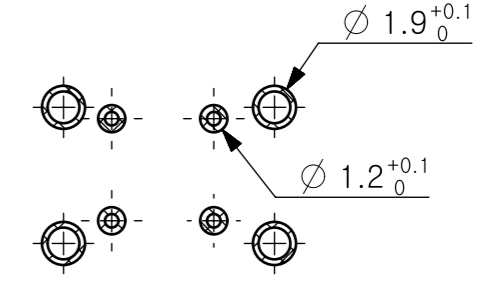


RECOMMENDED PCB LAYOUT(3:1)

- TOP VIEW -



- BACK VIEW -



HRS DRAWING FOR REFERENCE

NOTE

1. Applicable Plug
2. Peak Temperature : 260°C Peak, 10Sec Max.
3. No. of Soldering's Cycles : 2 Max
4. Recommended PCB Thickness is 1.6mm.
5. Recommended Solder Thickness is 0.12mm.
6. Reel Packaging Quantity : 250EA

	PART NO	PART NAME
W to B	6441-0011-2-800	KMA01-4DS-4.5HA/B(800)

5	PA	BLACK	10	PET	COVER TAPE
4	ZNDC2	Ni+Sn	9	PS	EMBOSS CARRIER TAPE
3	ZNDC2	Ni+Sn	8	BRASS	Ni+Sn+Au
2	BRASS	Sn	7	PA	BLACK
1	PA	BLACK	6	BRASS	Ni+Sn+Au
No.	MATERIAL	FINISH,REMARKS	No.	MATERIAL	FINISH,REMARKS

CODE NO. (OLD)		DRAWN	DESIGNED	CHECKED	APPROVED	RELEASED
		S.J MOON	S.J MOON	K.H JANG	B.H. AN	ENG 25.10.28 DEPT
		25.10.28	25.10.28	25.10.28	25.10.28	

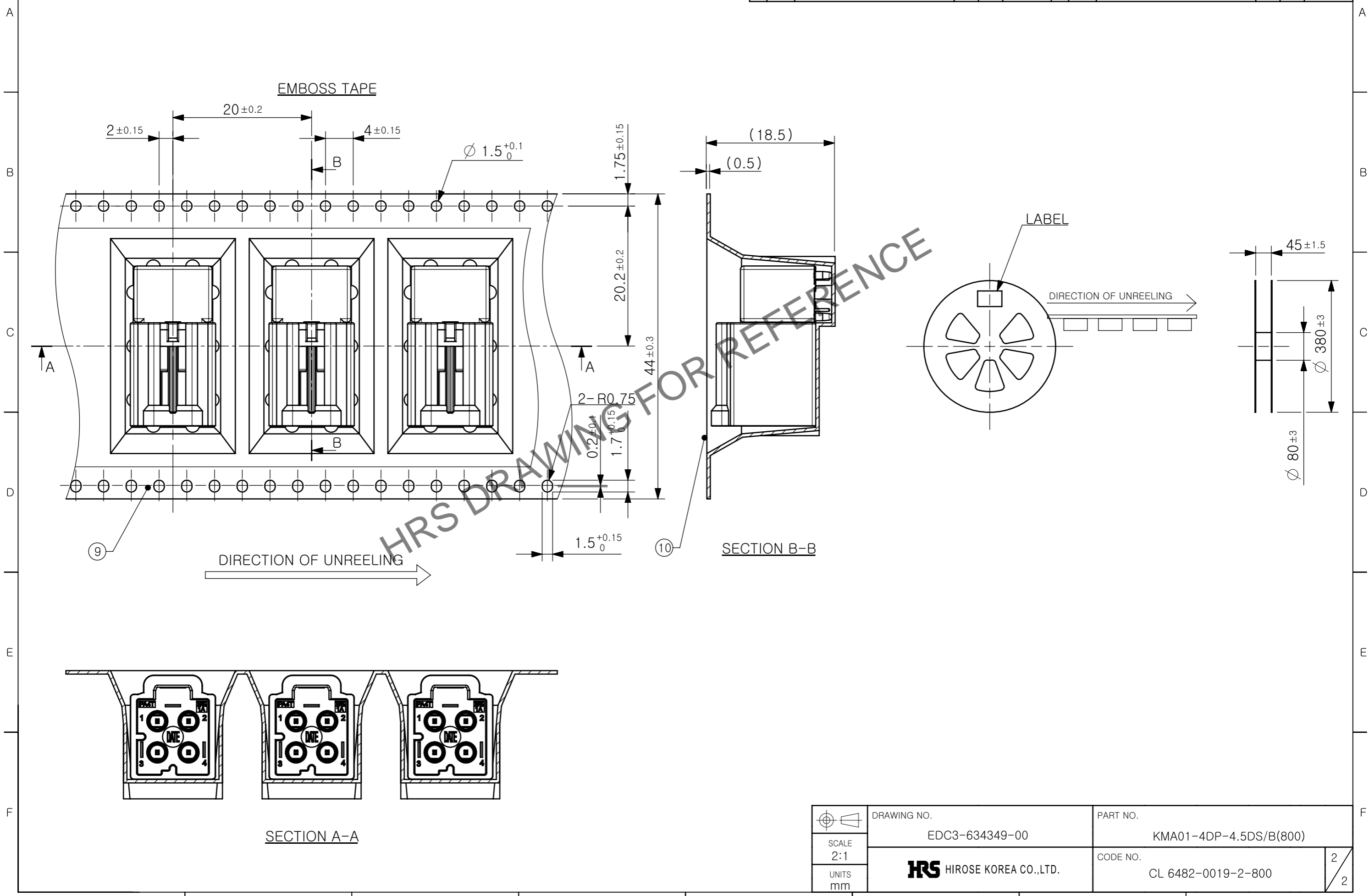
	DRAWING NO.	PART NO.
SCALE 2:1	EDC3-634349-00	KMA01-4DP-4.5DS/B(800)
UNITS mm	HRS HIROSE KOREA CO.,LTD.	CODE NO. CL 6482-0019-2-800
		1/2

Apr.1.2026 Copyright 2026 HIROSE ELECTRIC CO., LTD. All Rights Reserved. In case of consideration for using Automotive equipment / device which demand high reliability, kindly contact our sales window correspondents.

Apr.1.2026 Copyright 2026 HIROSE ELECTRIC CO., LTD. All Rights Reserved.
 In case of consideration for using Automotive equipment / device which demand high reliability, kindly contact our sales window correspondents.

PACKAGING STYLE

△數 COUNT	訂正記事 DESCRIPTION OF REVISIONS	擔當 BY	檢圖 CHKD	年月日 DATE	△數 COUNT	訂正記事 DESCRIPTION OF REVISIONS	擔當 BY	檢圖 CHKD	年月日 DATE
7	RE-4-5665	MSJ	ABH	26.03.23					



 SCALE 2:1	DRAWING NO. EDC3-634349-00	PART NO. KMA01-4DP-4.5DS/B(800)
	HIROSE KOREA CO.,LTD.	CODE NO. CL 6482-0019-2-800
UNITS mm		2 / 2