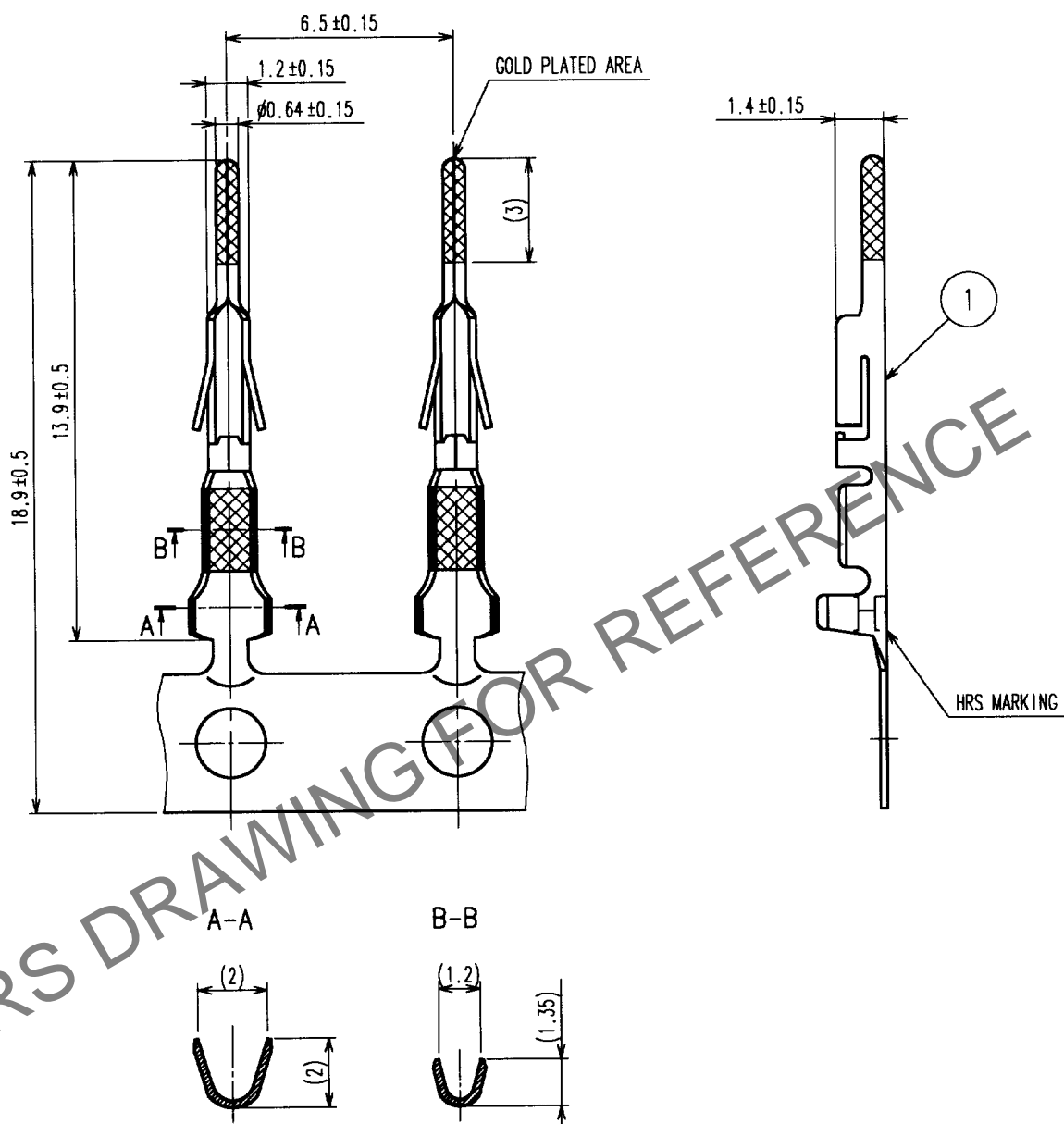


Jun.1.2024 Copyright 2024 HIROSE ELECTRIC CO., LTD. All Rights Reserved.  
 In case of consideration for using Automotive equipment / device which demand high reliability, kindly contact our sales window correspondents.

1					2					3					4				
COUNT	DESCRIPTION OF REVISIONS				BY	CHKD	DATE	COUNT	DESCRIPTION OF REVISIONS				BY	CHKD	DATE				
△								△											
△								△											
△								△											



NOTE1: APPLICABLE CABLE: AWG24~28

1	PHOSPHOR BRONZE	CONTACT AREA: GOLD PLATED, 0.2μm OTHERS : NICKEL PLATED						
NO.	MATERIAL	FINISH, REMARKS	NO.	MATERIAL	FINISH, REMARKS			
CODE NO. (OLD) CL			DRAWN Y. Nagashima '01.01.10	DESIGNED J. Inoue '01.01.11	CHECKED T. Miyazaki '01.1.11	APPROVED K. Katayama '01.1.12	RELEASED	
DRAWING NO. EDC4-021358			PART NO. DF1-PD2428SCFB					
UNITS mm			CODE NO. CL541-0660-6			1/1		

TO