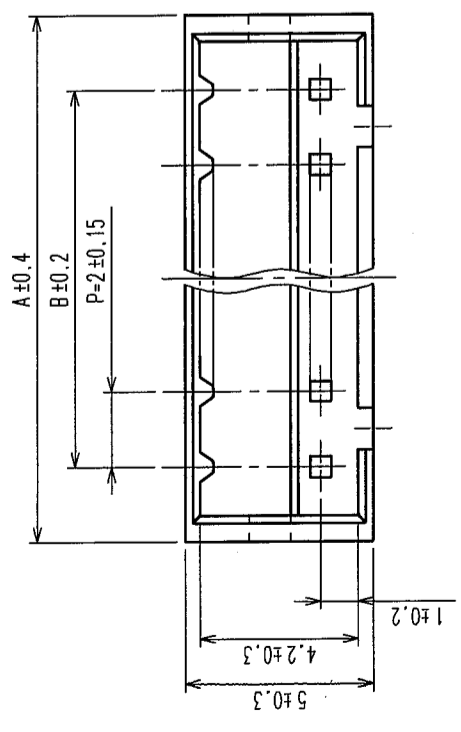
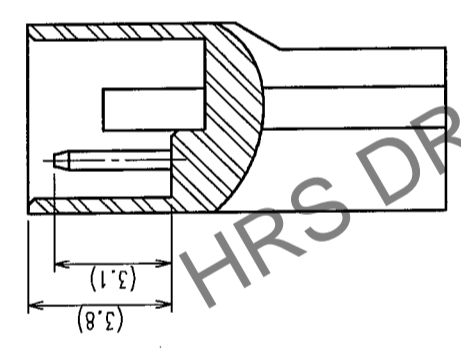


In case of consideration for using Automotive equipment / device which demand high reliability, kindly contact our sales window correspondents.

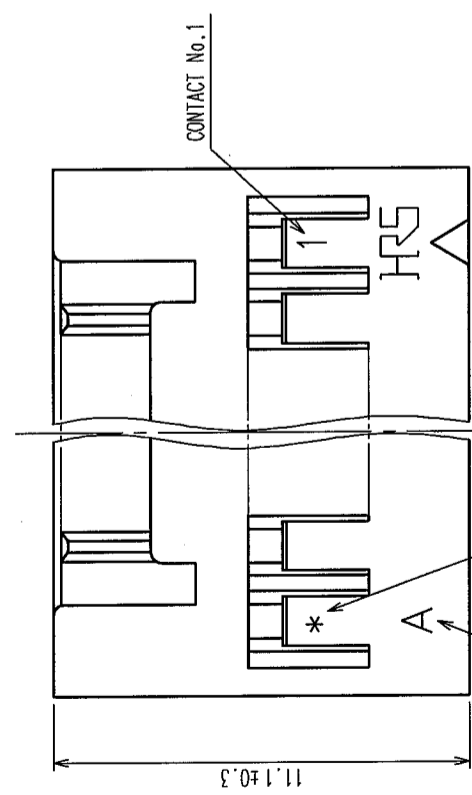
Jun.1.2024 Copyright 2024 HIROSE ELECTRIC CO., LTD. All Rights Reserved.

1	2	3	4	5	6	7	8		
COUNT	DESCRIPTION OF REVISIONS	BY	CHKD	DATE	COUNT	DESCRIPTION OF REVISIONS	BY	CHKD	DATE
△				..	△				..
△				..	△				..
△				..	△				..

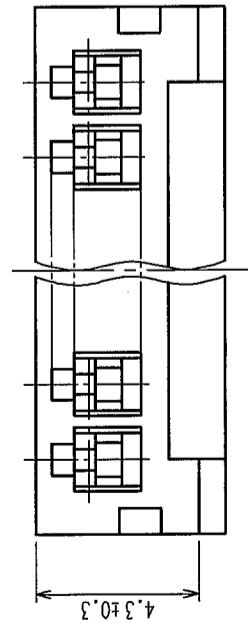
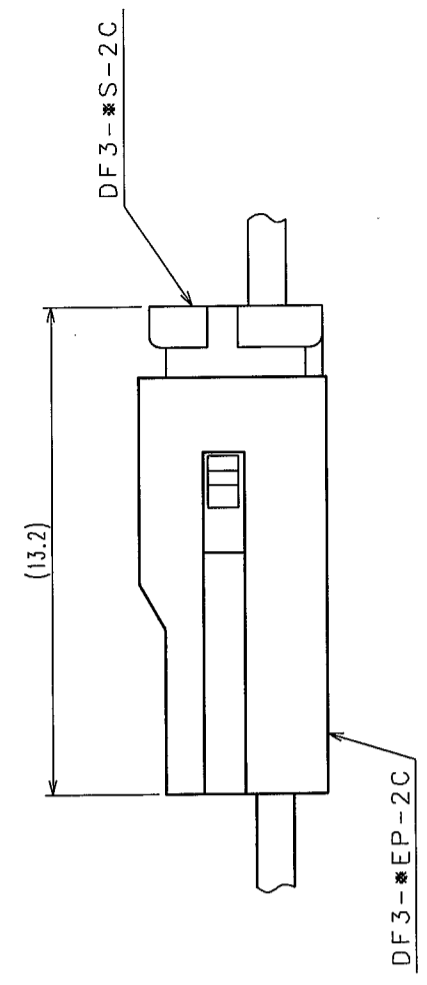
INSERTION FIGURE OF CRIMP CONTACT



CODE No.	PART No.	CONTACTS	A	B
CL543-0064-2	DF3-2EP-2C	2	6.0	2.0
CL543-0065-5	DF3-3EP-2C	3	8.0	4.0
CL543-0066-8	DF3-4EP-2C	4	10.0	6.0
CL543-0067-0	DF3-5EP-2C	5	12.0	8.0
CL543-0068-3	DF3-6EP-2C	6	14.0	10.0
CL543-0069-6	DF3-7EP-2C	7	16.0	12.0
CL543-0070-5	DF3-8EP-2C	8	18.0	14.0
CL543-0071-8	DF3-9EP-2C	9	20.0	16.0
CL543-0072-0	DF3-10EP-2C	10	22.0	18.0
CL543-0073-3	DF3-11EP-2C	11	24.0	20.0
CL543-0074-6	DF3-12EP-2C	12	26.0	22.0
CL543-0075-9	DF3-13EP-2C	13	28.0	24.0
CL543-0076-1	DF3-14EP-2C	14	30.0	26.0
CL543-0077-4	DF3-15EP-2C	15	32.0	28.0



MATED CONNECTORS



TO

NO.	MATERIAL	FINISH, REMARKS	NO.	MATERIAL	FINISH, REMARKS
1	POLYAMIDE	BLACK, UL94V-0			

CODE NO. (OLD)	CL	DRAWN	DESIGNED	CHECKED	APPROVED	RELEASED
		S. Dembowaga	S. Dembowaga	J. Mijayowski	J. Ono	
		04.03.08	04.03.08	04.03.08	04.03.09	

DRAWING NO.	EDC3-162330-01	PART NO.	DF3-*EP-2C
SCALE	5 : 1	CODE NO.	CL543-
UNITS	MM		