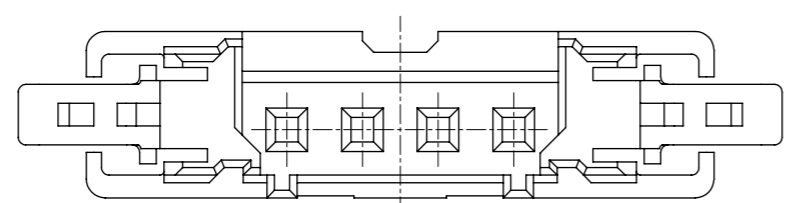
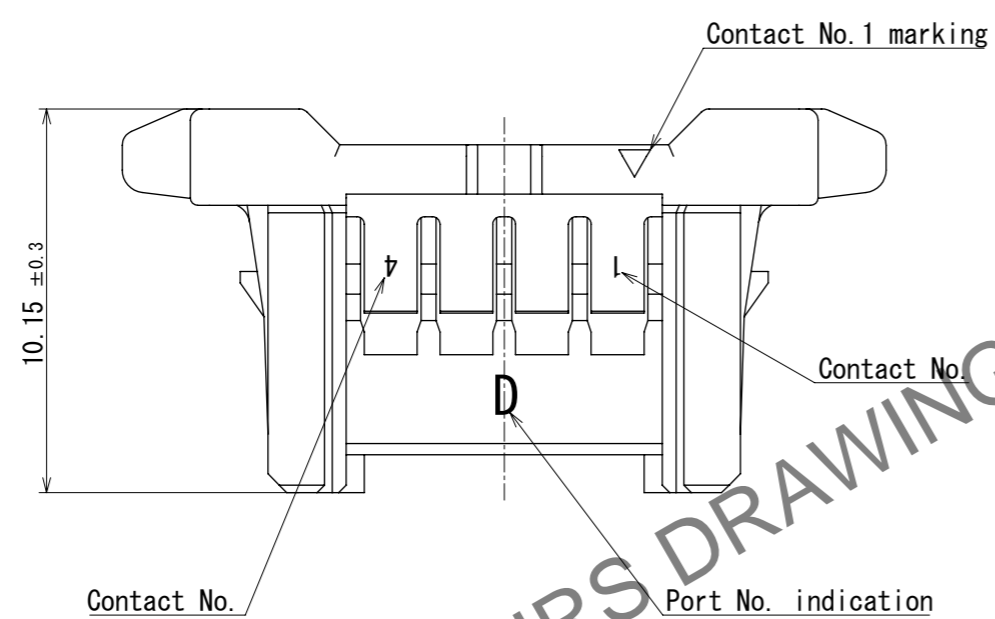
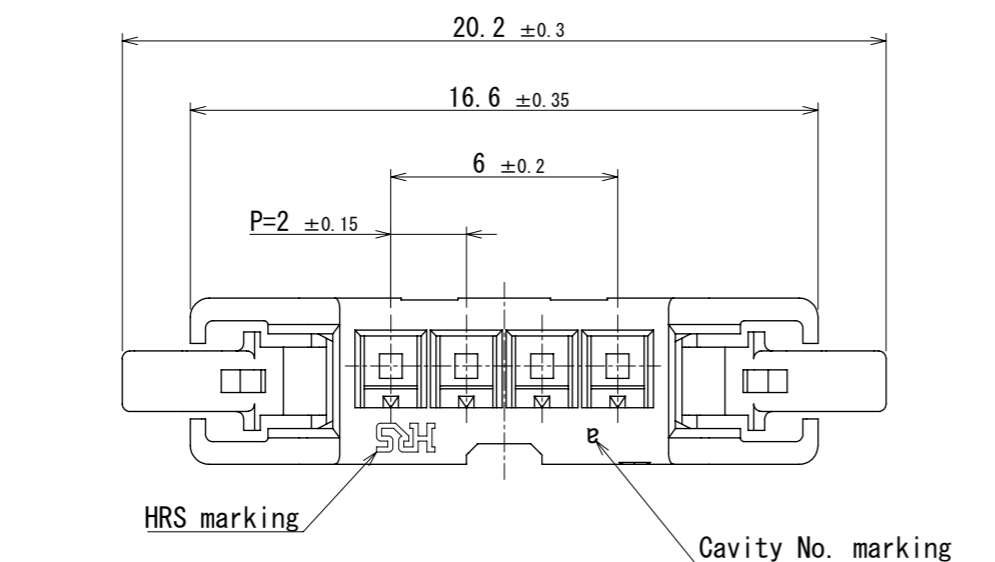





Mar.1.2025 Copyright 2025 HIROSE ELECTRIC CO., LTD. All Rights Reserved.  
 In case of consideration for using Automotive equipment / device which demand high reliability, kindly contact our sales window correspondents.



HRS DRAWING FOR REFERENCE

- 注 1. 100 pieces per pack  
 2. Refer to these manuals for handling this connector.  
 Cable assembly : ATAD-H0923-00  
 Mating and unmating operation : ATAD-H0847-00  
 3. There may be slight scratches or dents on the appearance, but this does not affect the function.  
 4. UL (File No.E52653)  
 C-UL (File No.E52653) authorization article  
  
 △ 5. Please refer to the technical specification (ATAP-H0957-00) for the packing type.

				1	PBT	UL94V-0, BLACK	
NO.	MATERIAL	FINISH	REMARKS	NO.	MATERIAL	FINISH	
UNITS mm		SCALE 5:1		COUNT 1	DESCRIPTION OF REVISIONS DIS-H-00021641		DESIGNED SN. MIWA
 HIROSE ELECTRIC CO., LTD.		APPROVED : SJ. OKAMURA		2024. 10. 01	DRAWING NO. EDC-405320-00-00		
		CHECKED : TT. OHSAKO		2024. 10. 01	PART NO. DF51BD-4S-2C		
		DESIGNED : SN. MIWA		2024. 10. 01	CODE NO. CL0543-5142-0-00		
		DRAWN : SK. CHIBA		2024. 10. 01	 1/1		