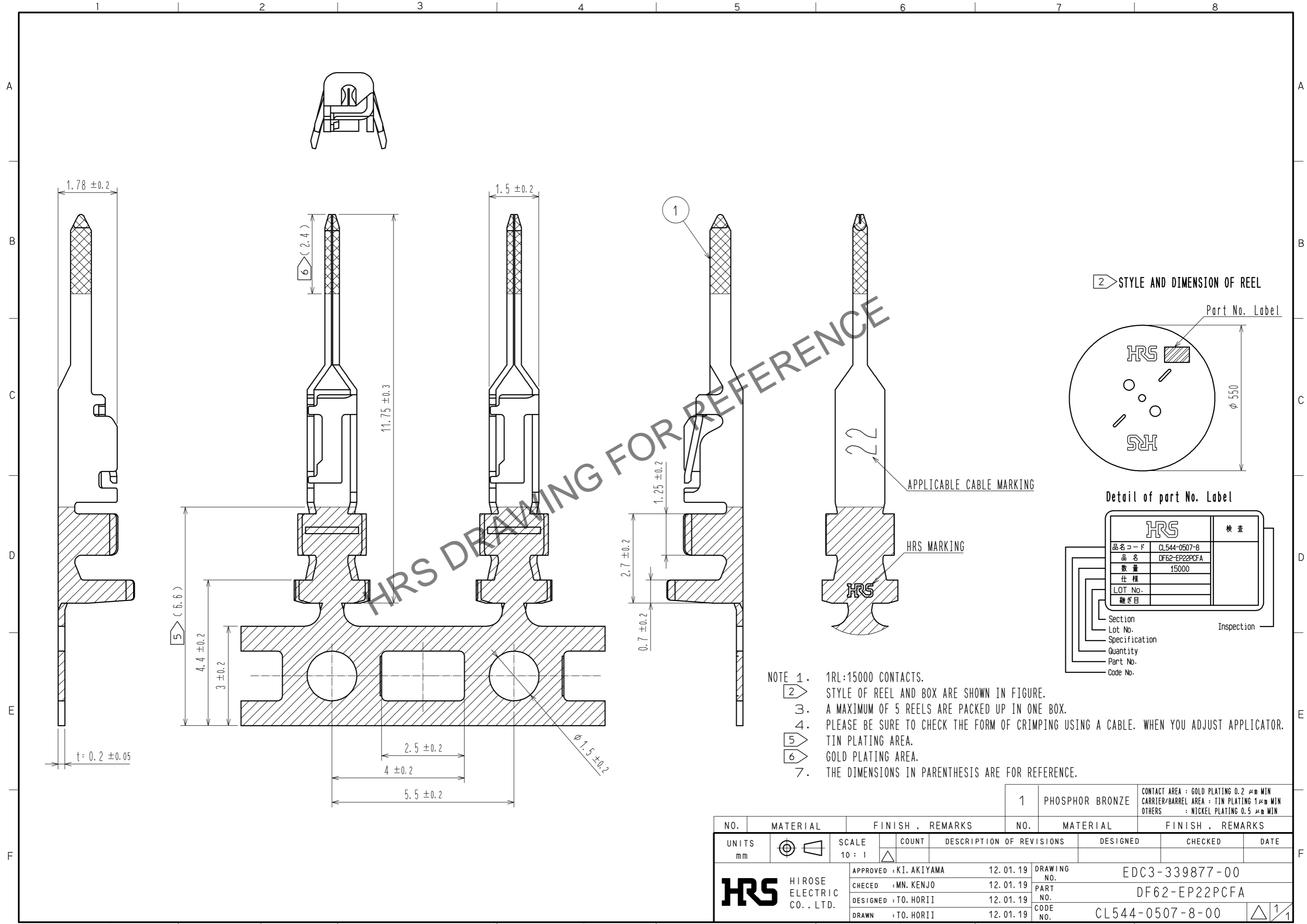


Jun.1.2024 Copyright 2024 HIROSE ELECTRIC CO., LTD. All Rights Reserved.  
 In case of consideration for using Automotive equipment / device which demand high reliability, kindly contact our sales window correspondents.



- NOTE 1. 1RL:15000 CONTACTS.  
 2. STYLE OF REEL AND BOX ARE SHOWN IN FIGURE.  
 3. A MAXIMUM OF 5 REELS ARE PACKED UP IN ONE BOX.  
 4. PLEASE BE SURE TO CHECK THE FORM OF CRIMPING USING A CABLE. WHEN YOU ADJUST APPLICATOR.  
 5. TIN PLATING AREA.  
 6. GOLD PLATING AREA.  
 7. THE DIMENSIONS IN PARENTHESIS ARE FOR REFERENCE.

2. STYLE AND DIMENSION OF REEL

Part No. Label

φ550

HRS

SH

Detail of part No. Label

HRS		検査
品名コード	CL544-0507-8	
品名	DF62-EP22PCFA	
数量	15000	
仕様		
LOT No.		
継ぎ目		

Section  
 Lot No.  
 Specification  
 Quantity  
 Part No.  
 Code No.

Inspection

NO.	MATERIAL	FINISH . REMARKS	NO.	MATERIAL	FINISH . REMARKS		
			1	PHOSPHOR BRONZE	CONTACT AREA : GOLD PLATING 0.2 μm MIN CARRIER/BARREL AREA : TIN PLATING 1 μm MIN OTHERS : NICKEL PLATING 0.5 μm MIN		
UNITS mm		SCALE 10 : 1	COUNT △	DESCRIPTION OF REVISIONS	DESIGNED	CHECKED	DATE
<b>HRS</b> HIROSE ELECTRIC CO., LTD.		APPROVED : KI. AKIYAMA	12.01.19	DRAWING NO.	EDC3-339877-00		
		CHECED : MN. KENJO	12.01.19	PART NO.	DF62-EP22PCFA		
		DESIGNED : TO. HORII	12.01.19	CODE NO.	CL544-0507-8-00		
		DRAWN : TO. HORII	12.01.19		△ 1/1		