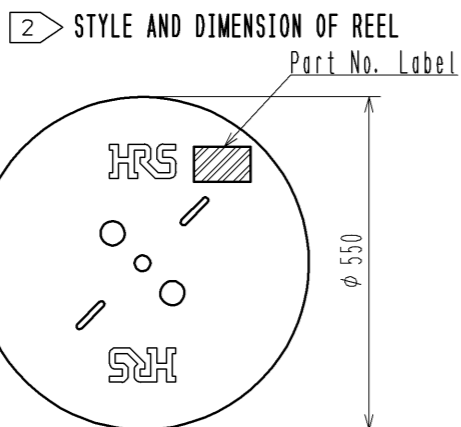
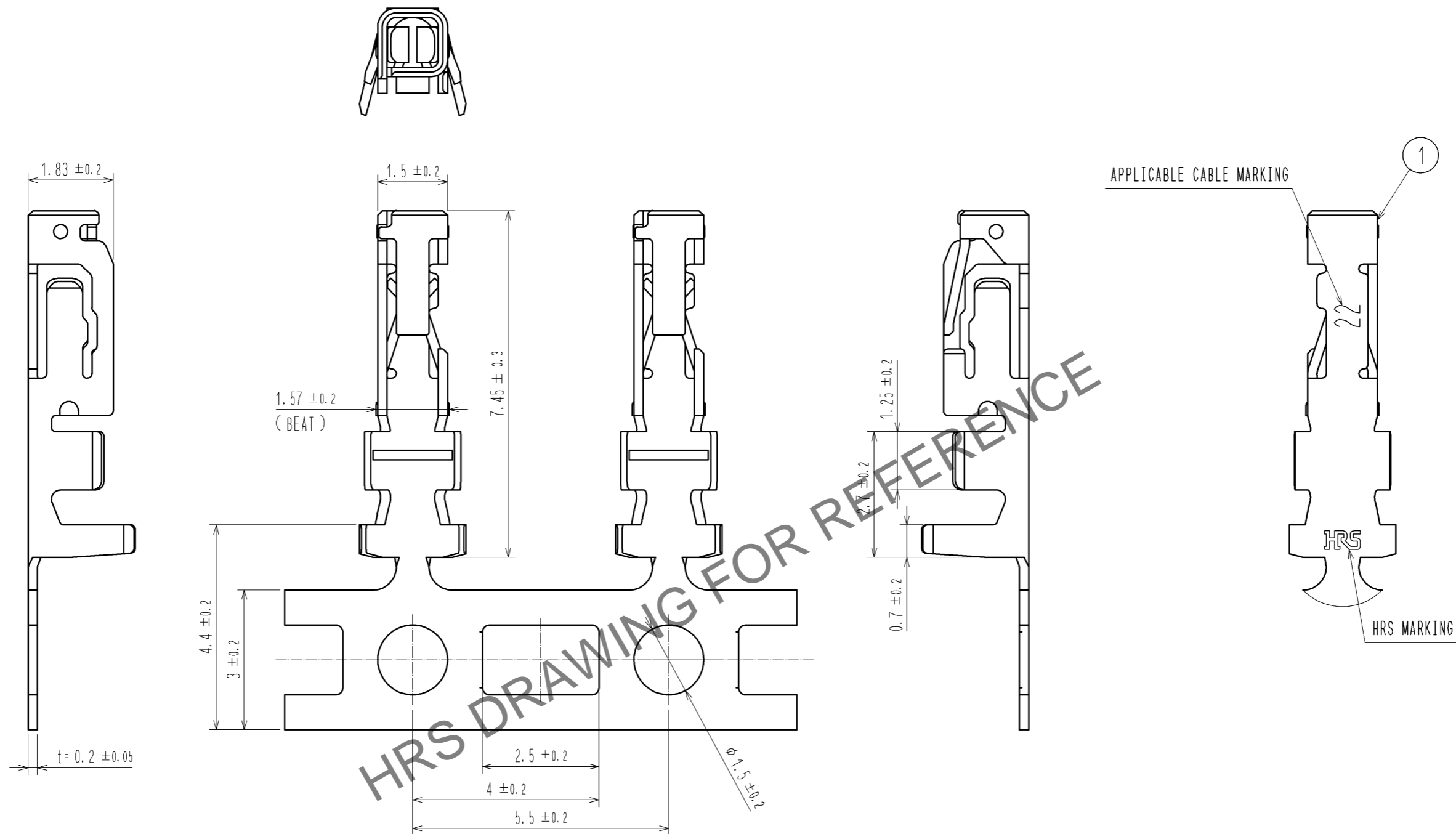
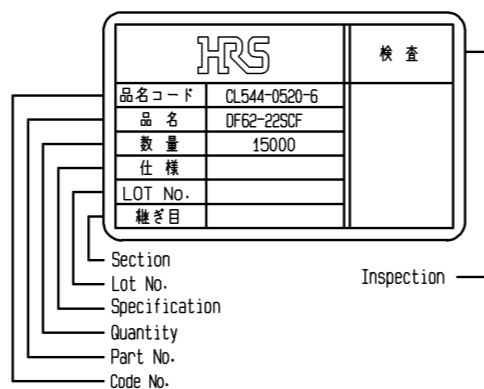


May.1.2024 Copyright 2024 HIROSE ELECTRIC CO., LTD. All Rights Reserved.
In case of consideration for using Automotive equipment / device which demand high reliability, kindly contact our sales window correspondents.



Detail of part No. Label



- NOTE 1. 1RL:15000 CONTACTS.
 2. STYLE OF REEL AND BOX ARE SHOWN IN FIGURE.
 3. A MAXIMUM OF 5 REELS ARE PACKED UP IN ONE BOX.
 4. PLEASE BE SURE TO CHECK THE FORM OF CRIMPING USING A CABLE. WHEN YOU ADJUST APPLICATOR.
 5. THE DIMENSIONS IN PARENTHESIS ARE FOR REFERENCE.

NO.	MATERIAL	FINISH . REMARKS	NO.	MATERIAL	FINISH . REMARKS
			1	PHOSPHOR BRONZE	TIN PLATING 1 μm MIN
UNITS mm		SCALE 10 : 1	DESCRIPTION OF REVISIONS		
APPROVED : KI. AKIYAMA		14. 04. 26	DESIGNED	CHECKED	
CHECKED : KI. AKIYAMA		14. 04. 26	DATE		
DESIGNED : TS. KUMAZAWA		14. 04. 25	DRAWING NO. EDC3-344681-00		
DRAWN : TS. KUMAZAWA		14. 04. 25	PART NO. DF62-22SCF		
HRS HIROSE ELECTRIC CO., LTD.			CODE NO. CL544-0520-6-00		
			1/1		