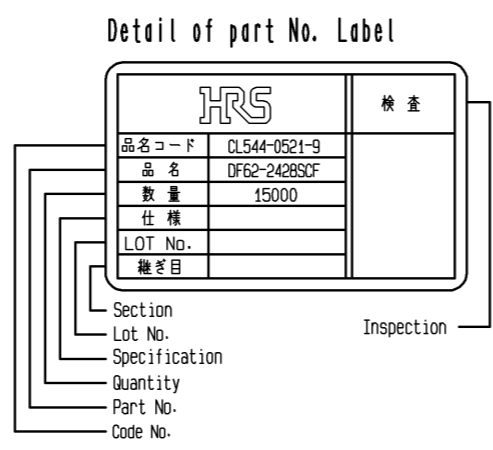
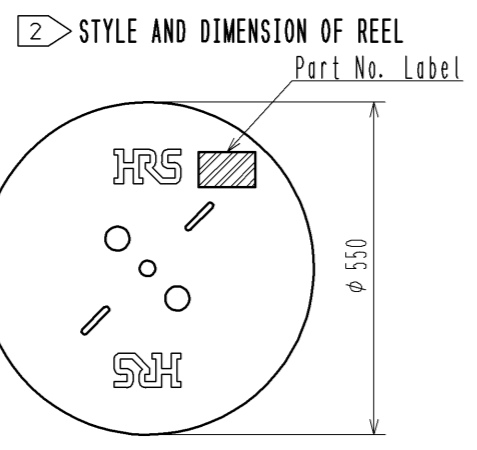
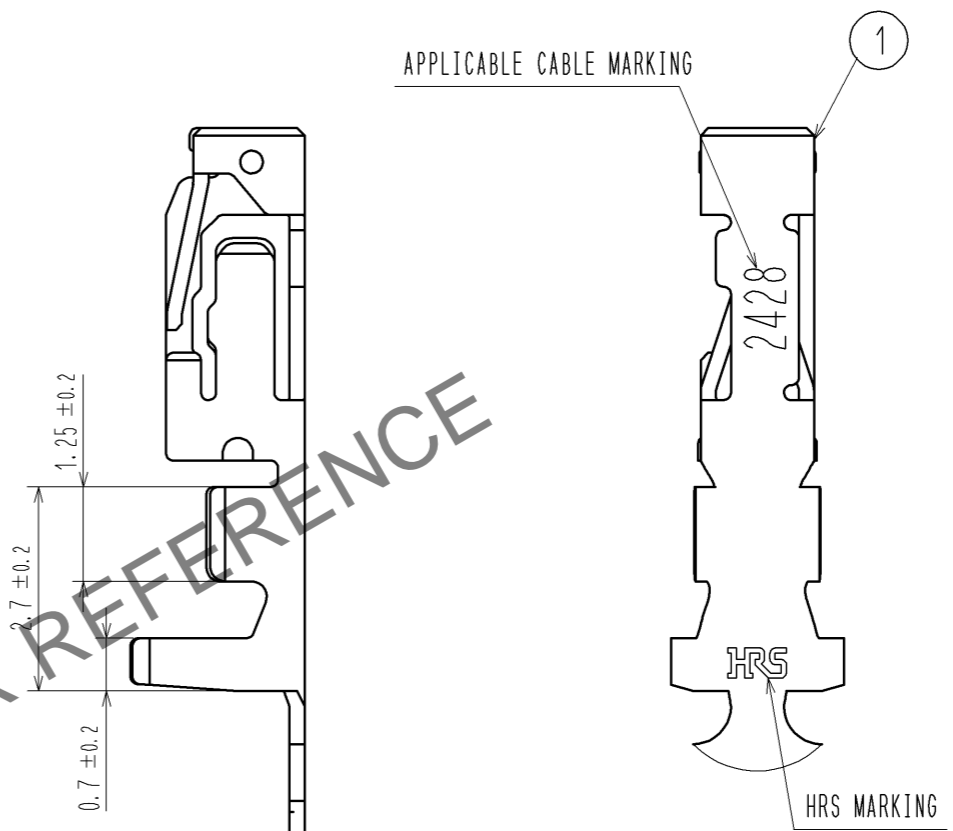
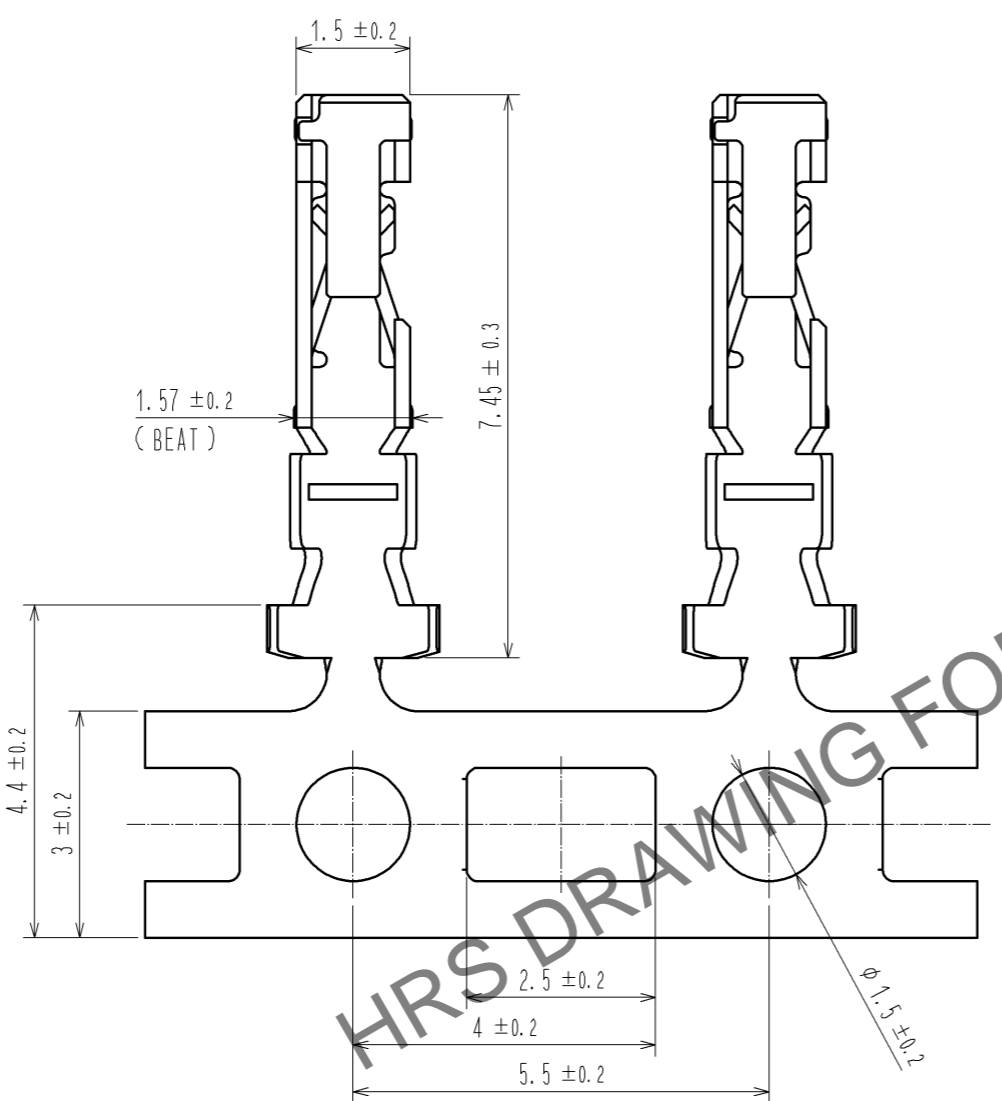
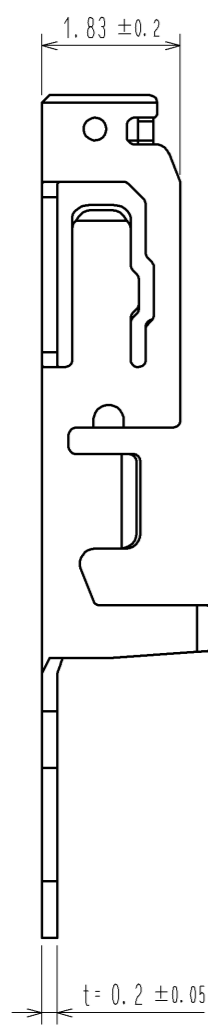
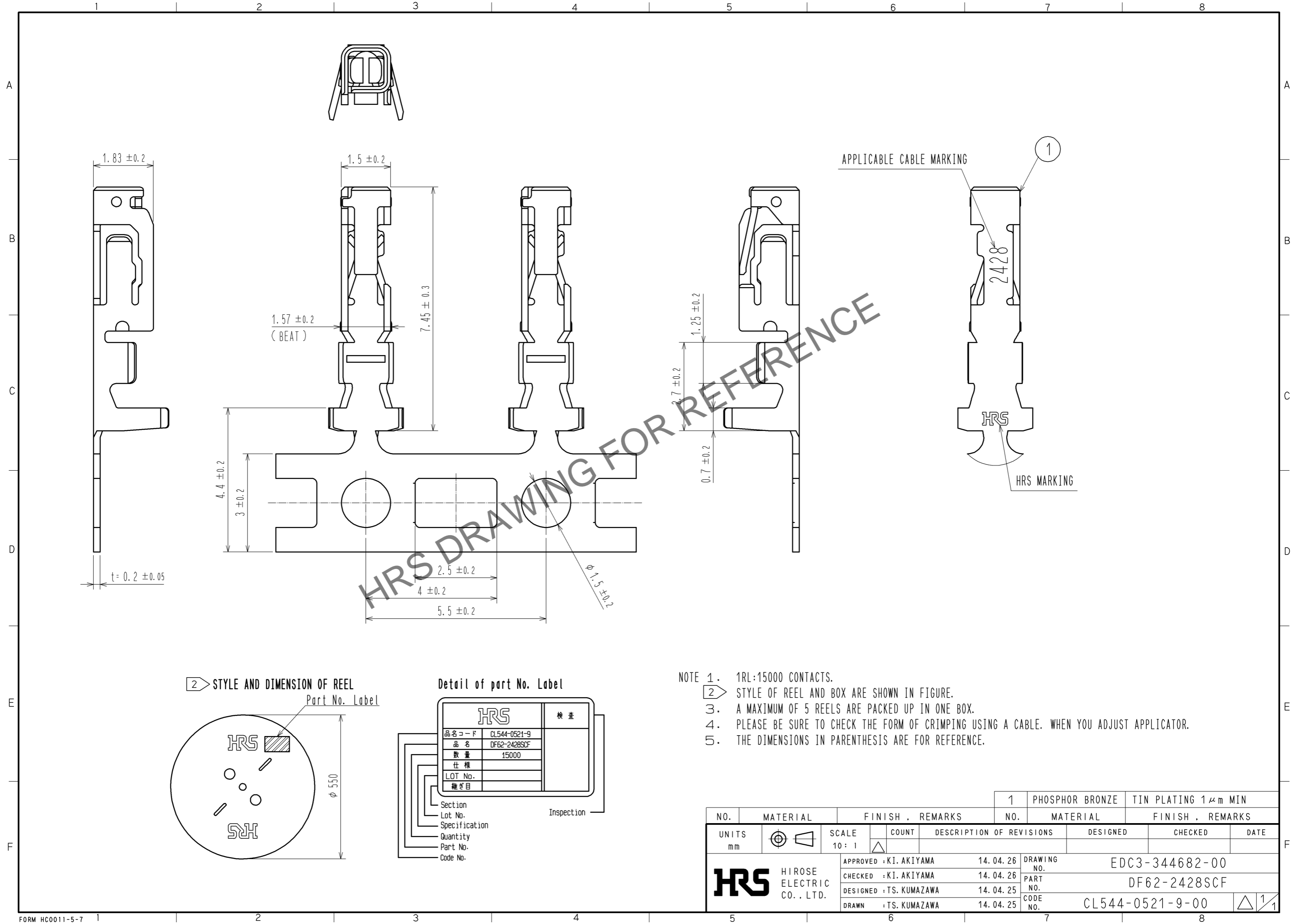


Jun.1.2024 Copyright 2024 HIROSE ELECTRIC CO., LTD. All Rights Reserved.
 In case of consideration for using Automotive equipment / device which demand high reliability, kindly contact our sales window correspondents.



- NOTE 1. 1RL:15000 CONTACTS.
 2. STYLE OF REEL AND BOX ARE SHOWN IN FIGURE.
 3. A MAXIMUM OF 5 REELS ARE PACKED UP IN ONE BOX.
 4. PLEASE BE SURE TO CHECK THE FORM OF CRIMPING USING A CABLE. WHEN YOU ADJUST APPLICATOR.
 5. THE DIMENSIONS IN PARENTHESIS ARE FOR REFERENCE.

NO.	MATERIAL	FINISH . REMARKS	NO.	MATERIAL	FINISH . REMARKS
			1	PHOSPHOR BRONZE	TIN PLATING 1 μm MIN
UNITS mm		SCALE 10 : 1	DESCRIPTION OF REVISIONS		
			DESIGNED	CHECKED	DATE
HRS HIROSE ELECTRIC CO., LTD.		APPROVED : KI. AKIYAMA	14. 04. 26	DRAWING NO. EDC3-344682-00	
		CHECKED : KI. AKIYAMA	14. 04. 26	PART NO. DF62-2428SCF	
		DESIGNED : TS. KUMAZAWA	14. 04. 25	CODE NO. CL544-0521-9-00	
		DRAWN : TS. KUMAZAWA	14. 04. 25	1/1	