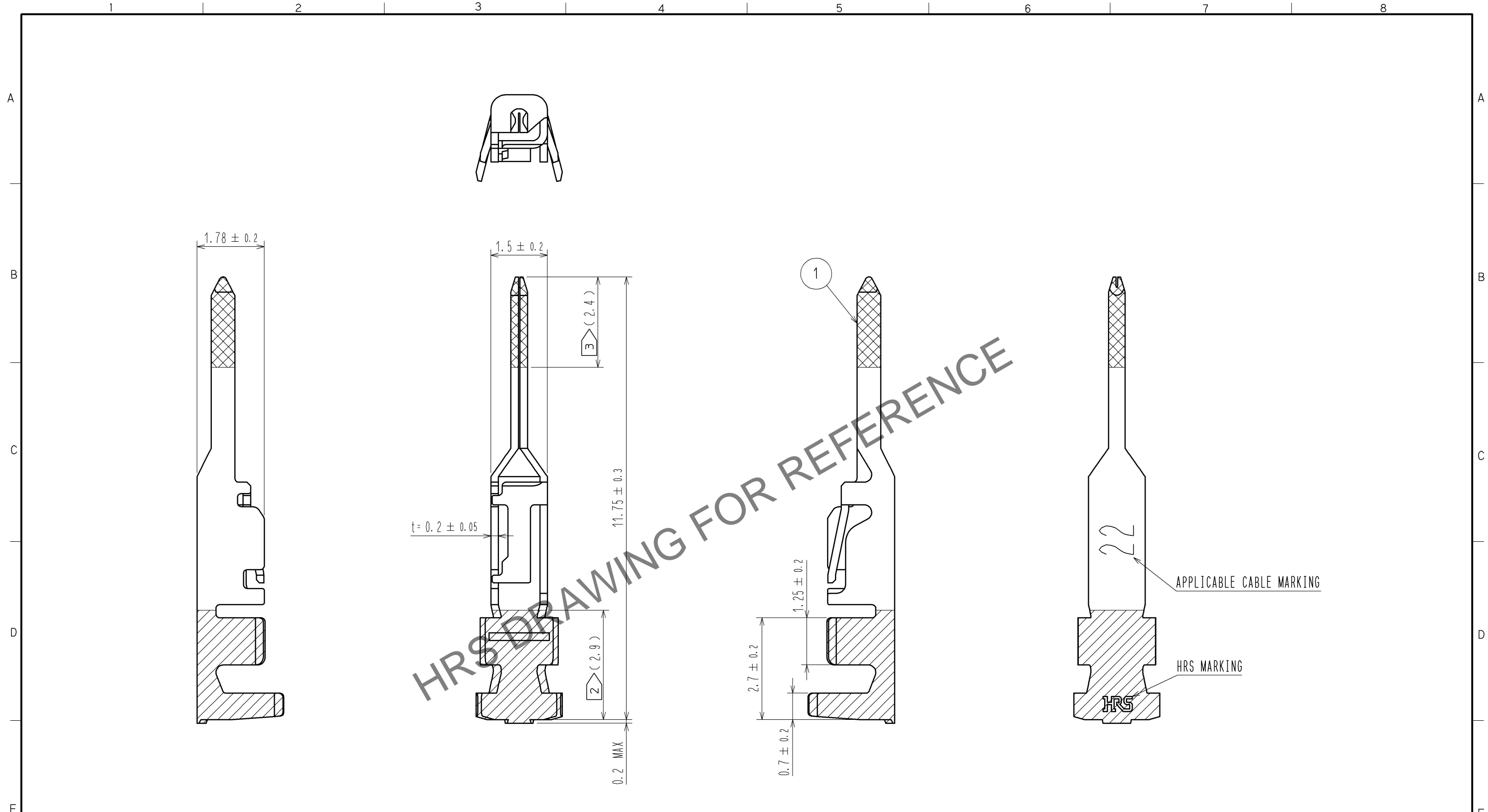


Jul.1.2024 Copyright 2024 HIROSE ELECTRIC CO., LTD. All Rights Reserved.  
 In case of consideration for using Automotive equipment / device which demand high reliability, kindly contact our sales window correspondents.



NOTE 1. 1PACK:100 CONTACTS  
 2 TIN PLATING AREA.  
 3 GOLD PLATING AREA.  
 4. THE DIMENSIONS IN PARENTHESIS ARE FOR REFERENCE.

1		PHOSPHOR BRONZE	CONTACT AREA : GOLD PLATING 0.2μm MIN BARREL AREA : TIN PLATING 1μm MIN OTHERS : NICKEL PLATING 0.5μm MIN					
NO.	MATERIAL	FINISH . REMARKS	NO.	MATERIAL	FINISH . REMARKS			
UNITS mm		SCALE 10:1	COUNT △	DESCRIPTION OF REVISIONS		DESIGNED	CHECKED	DATE
<b>HRS</b> HIROSE ELECTRIC CO., LTD.		APPROVED : KI. AKIYAMA	12.07.21	DRAWING NO. EDC3-345109-00				
		CHECED : MN. KENJO	12.07.21	PART NO. DF62-EP22PCA				
		DESIGNED : TO. HORII	12.07.20	CODE NO. CL544-0529-0-00				
		DRAWN : TO. HORII	12.07.20			△ 1/1		