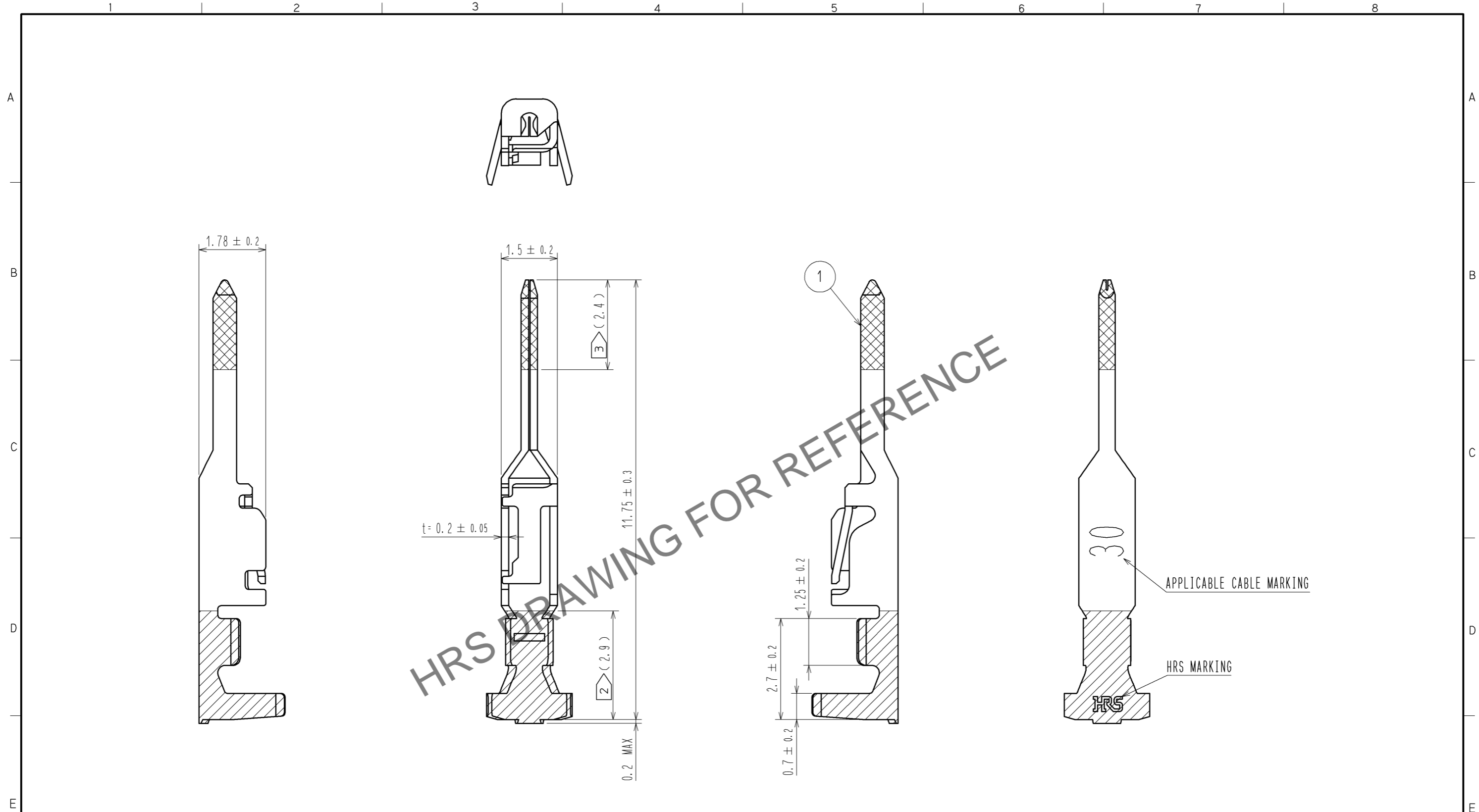


Jul.1.2024 Copyright 2024 HIROSE ELECTRIC CO., LTD. All Rights Reserved.  
 In case of consideration for using Automotive equipment / device which demand high reliability, kindly contact our sales window correspondents.



NOTE 1. 1PACK:100 CONTACTS  
 ② TIN PLATING AREA.  
 ③ GOLD PLATING AREA.  
 4. THE DIMENSIONS IN PARENTHESIS ARE FOR REFERENCE.

NO.	MATERIAL	FINISH . REMARKS	NO.	MATERIAL	FINISH . REMARKS
1	PHOSPHOR BRONZE	CONTACT AREA : GOLD PLATING 0.2μm MIN BARREL AREA : TIN PLATING 1μm MIN OTHERS : NICKEL PLATING 0.5μm MIN			

UNITS	SCALE	COUNT	DESCRIPTION OF REVISIONS	DESIGNED	CHECKED	DATE
mm	10:1	△				
HIROSE ELECTRIC CO., LTD.			APPROVED : KI. AKIYAMA	12.07.21	DRAWING NO. EDC3-345111-00	
			CHECED : MN. KENJO	12.07.21	PART NO. DF62-EP30PCA	
			DESIGNED : TO. HORII	12.07.20	CODE NO. CL544-0531-2-00	
			DRAWN : TO. HORII	12.07.20	1/1	