

Jul.1.2024 Copyright 2024 HIROSE ELECTRIC CO., LTD. All Rights Reserved.  
 In case of consideration for using Automotive equipment / device which demand high reliability, kindly contact our sales window correspondents.

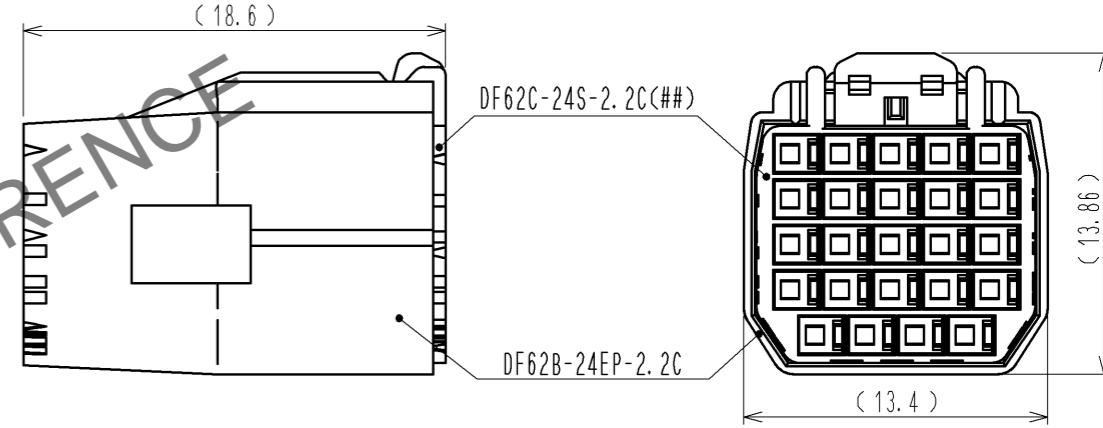
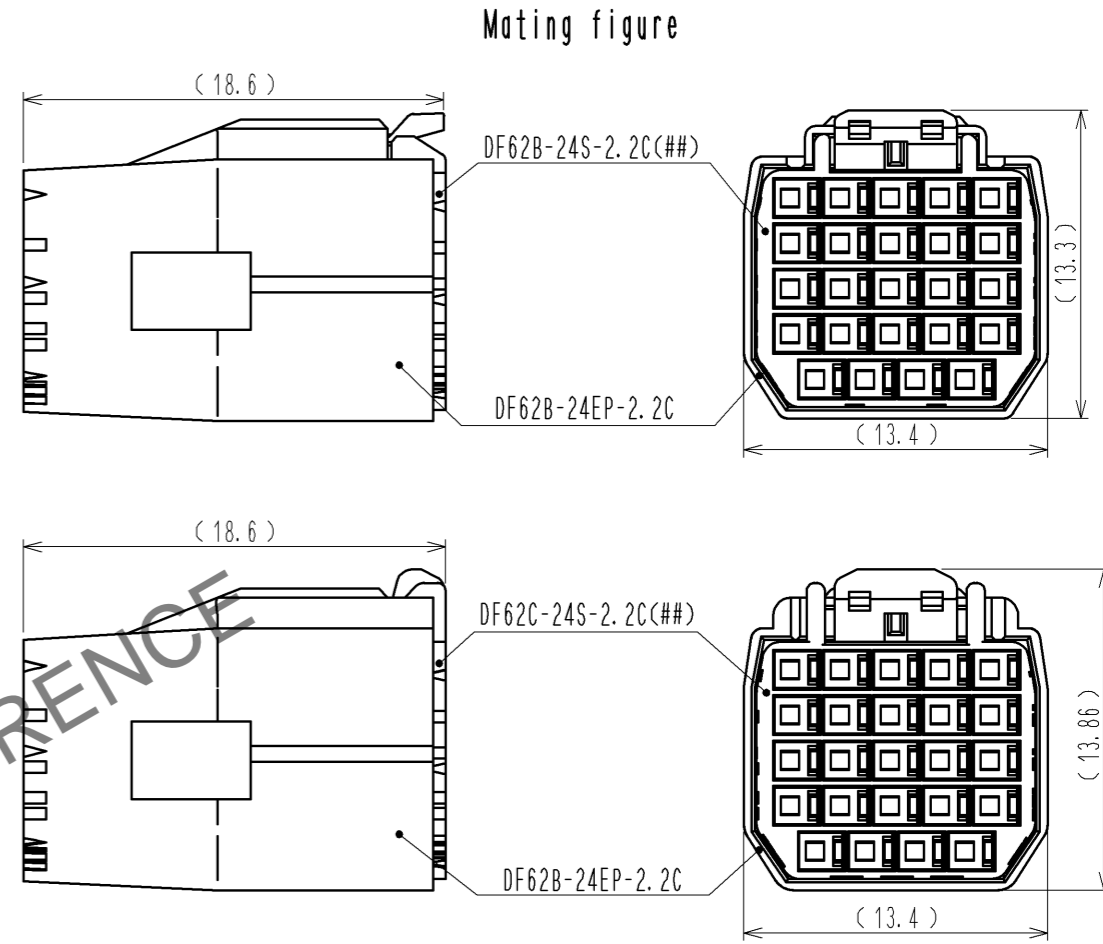
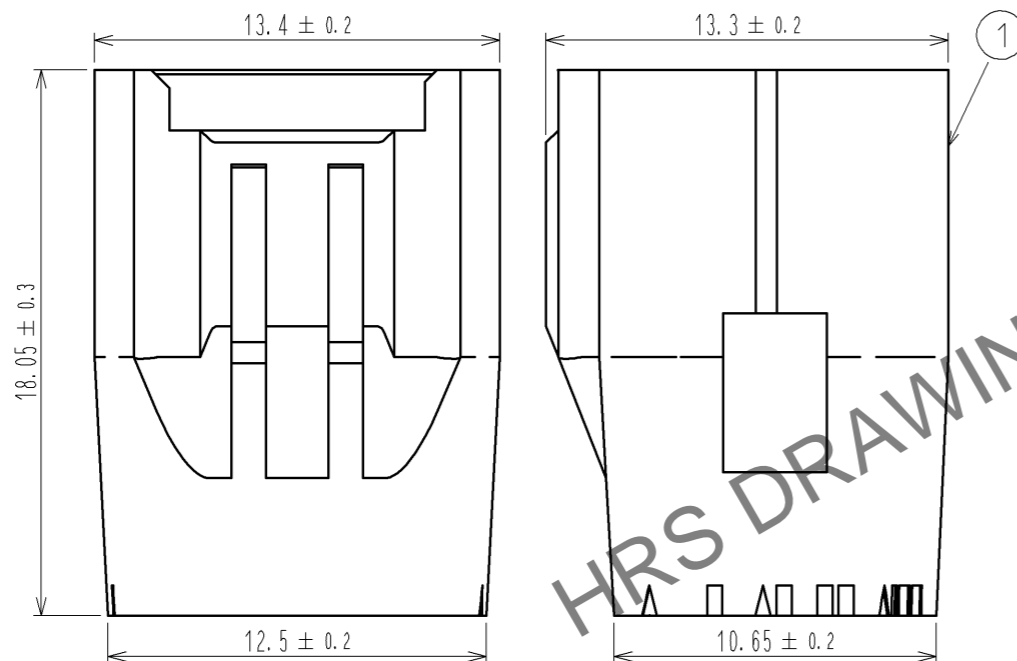
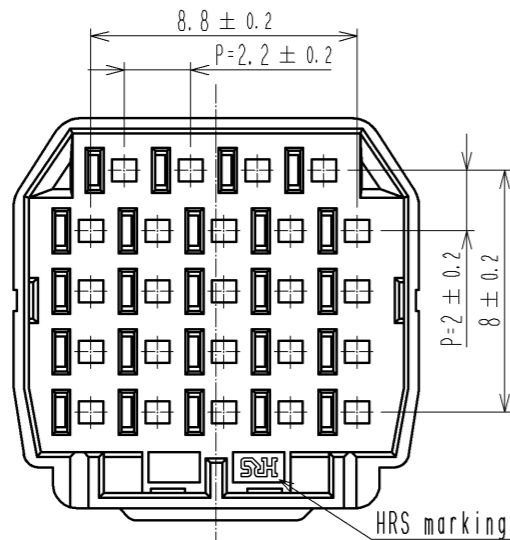
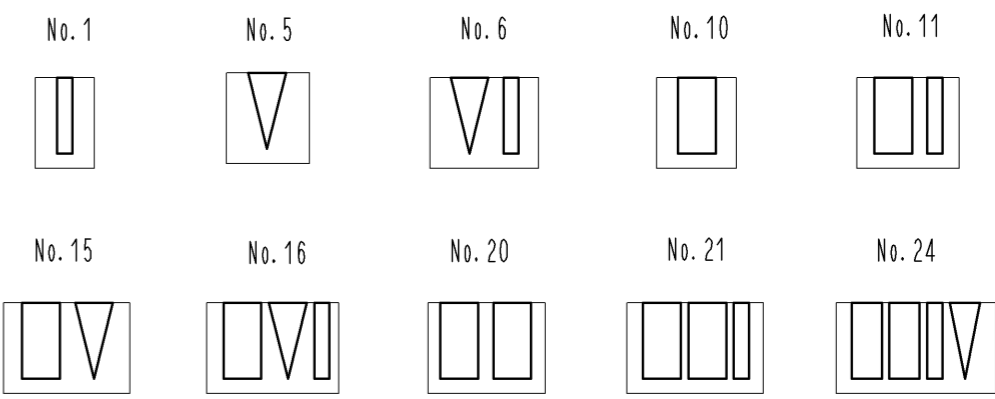
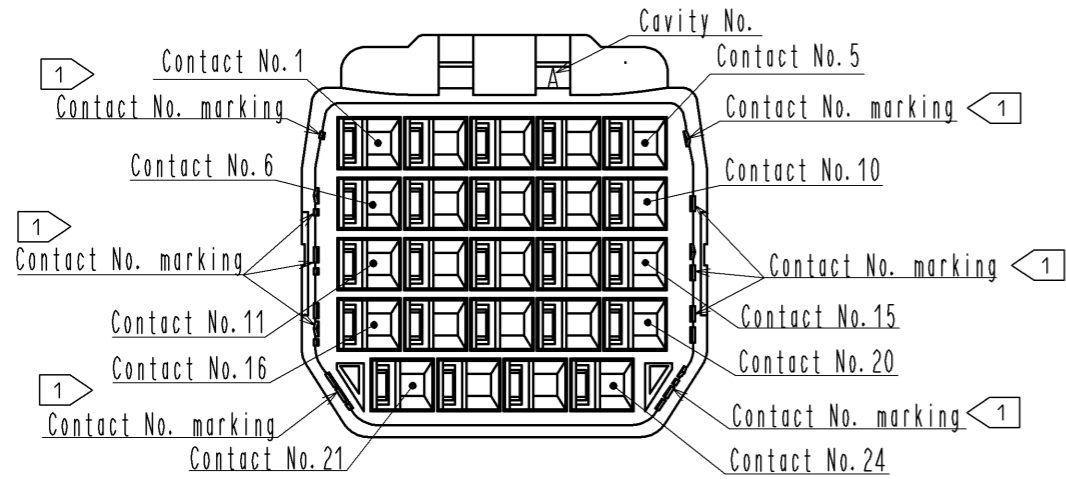


Figure-1 Contact No. marking (10:1)



- Note.
- 1 Markings at the indicated positions are Contact No. marking. And shapes are shown in Figure-1.
  2. Per pack : 100 pieces.
  3. The dimensions in parenthesis are for reference.
  4. UL (File No. E52653), C-UL (File No. E52653) approved product.



NO.	MATERIAL	FINISH . REMARKS	NO.	MATERIAL	FINISH . REMARKS
1	PBT			UL94V-0 (BLACK)	
UNITS	mm	SCALE	COUNT	DESCRIPTION OF REVISIONS	DESIGNED
		4 : 1	△		CHECKED
					DATE
APPROVED : KI. AKIYAMA			14.06.06	DRAWING NO. EDC3-348671-00	
CHECKED : TS. FUKUSHIMA			14.06.06	PART NO. DF62B-24EP-2.2C	
DESIGNED : TS. KUMAZAWA			14.06.06	CODE NO. CL544-0540-3-00	
DRAWN : TS. KUMAZAWA			14.06.06	1/1	