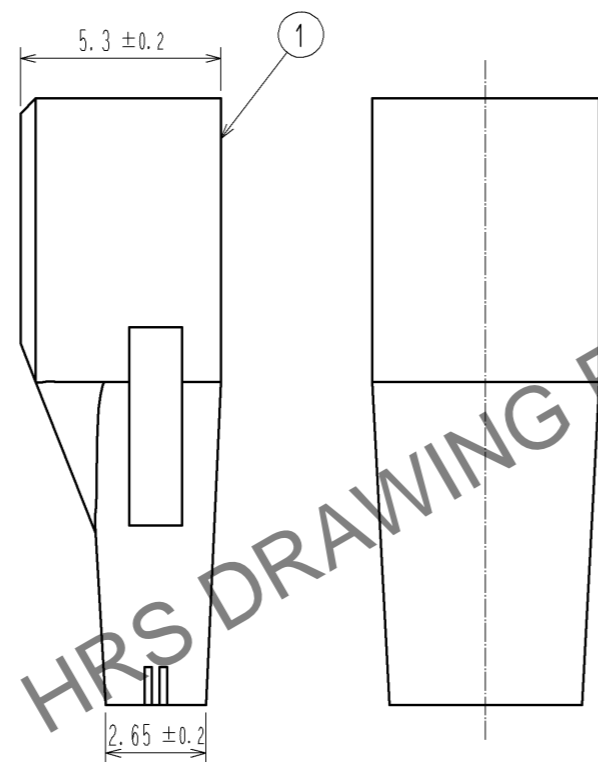
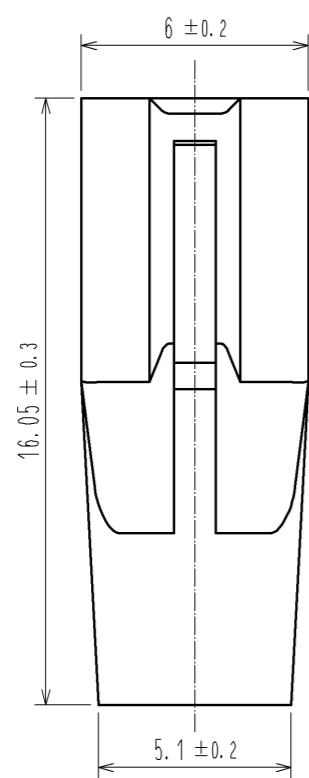
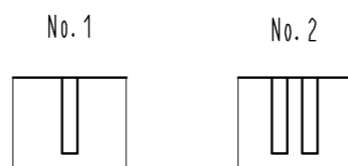
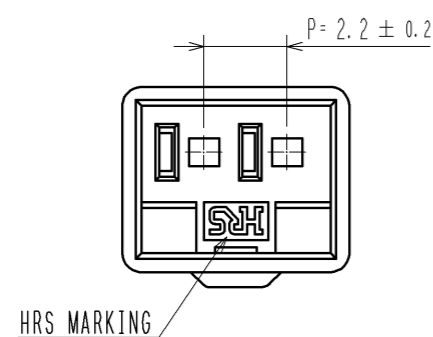
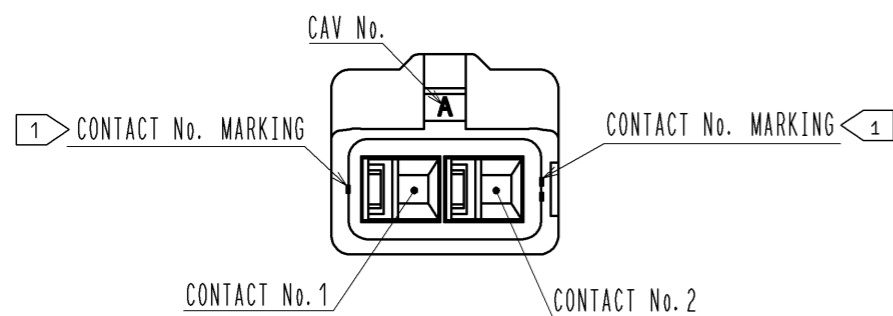
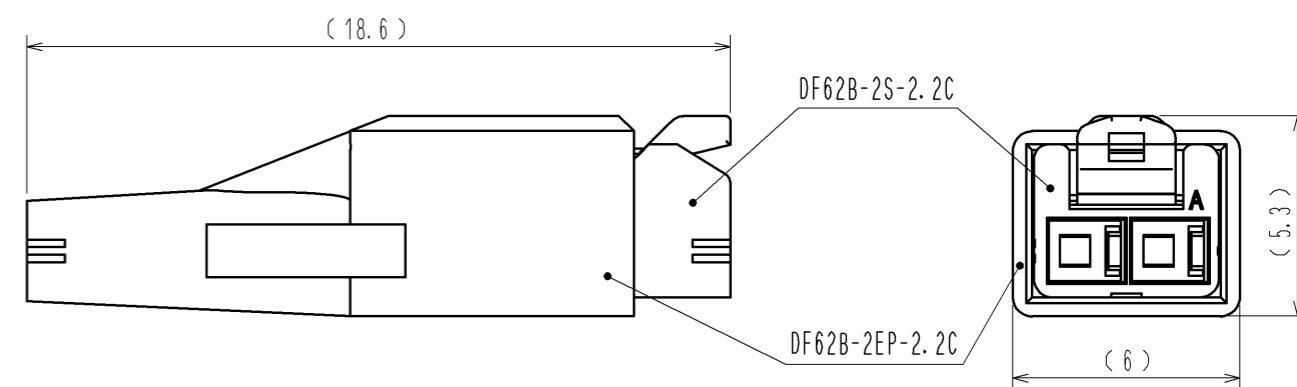


Apr.1.2026 Copyright 2026 HIROSE ELECTRIC CO., LTD. All Rights Reserved.  
 In case of consideration for using Automotive equipment / device which demand high reliability, kindly contact our sales window correspondents.

1> FIGURE-1 CONTACT No. MARKING (10:1)



MATING FIGURE



- NOTE. 1> MARKINGS AT THE INDICATED POSITIONS ARE CONTACT NO. MARKING. AND SHAPES ARE SHOWN IN FIGURE-1.  
 2. PER PACK : 100 PIECES.  
 3. THE DIMENSIONS IN PARENTHESIS ARE FOR REFERENCE.

NO.	MATERIAL	FINISH . REMARKS	NO.	MATERIAL	FINISH . REMARKS
			1	PBT	UL94V-0 (BLACK)
UNITS	mm	SCALE	5 : 1	COUNT	△
DESCRIPTION OF REVISIONS		DESIGNED	CHECKED	DATE	
APPROVED : KI. AKIYAMA		13.06.06	DRAWING NO. EDC3-351963-00		
CHECED : MN. KENJO		13.06.06	PART NO. DF62B-2EP-2.2C		
DESIGNED : TH. YOSHIKAWA		13.06.06	CODE NO. CL544-0558-9-00		
DRAWN : TH. YOSHIKAWA		13.06.06	△ 1/1		