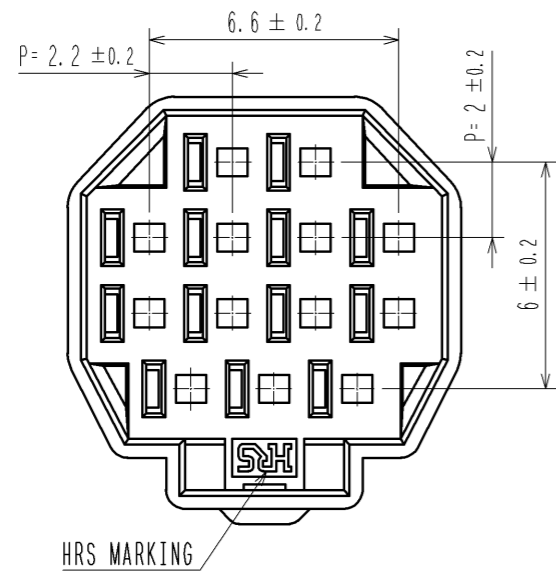
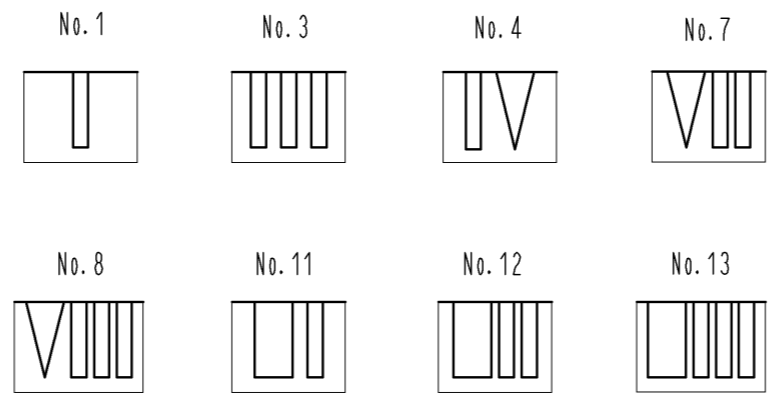


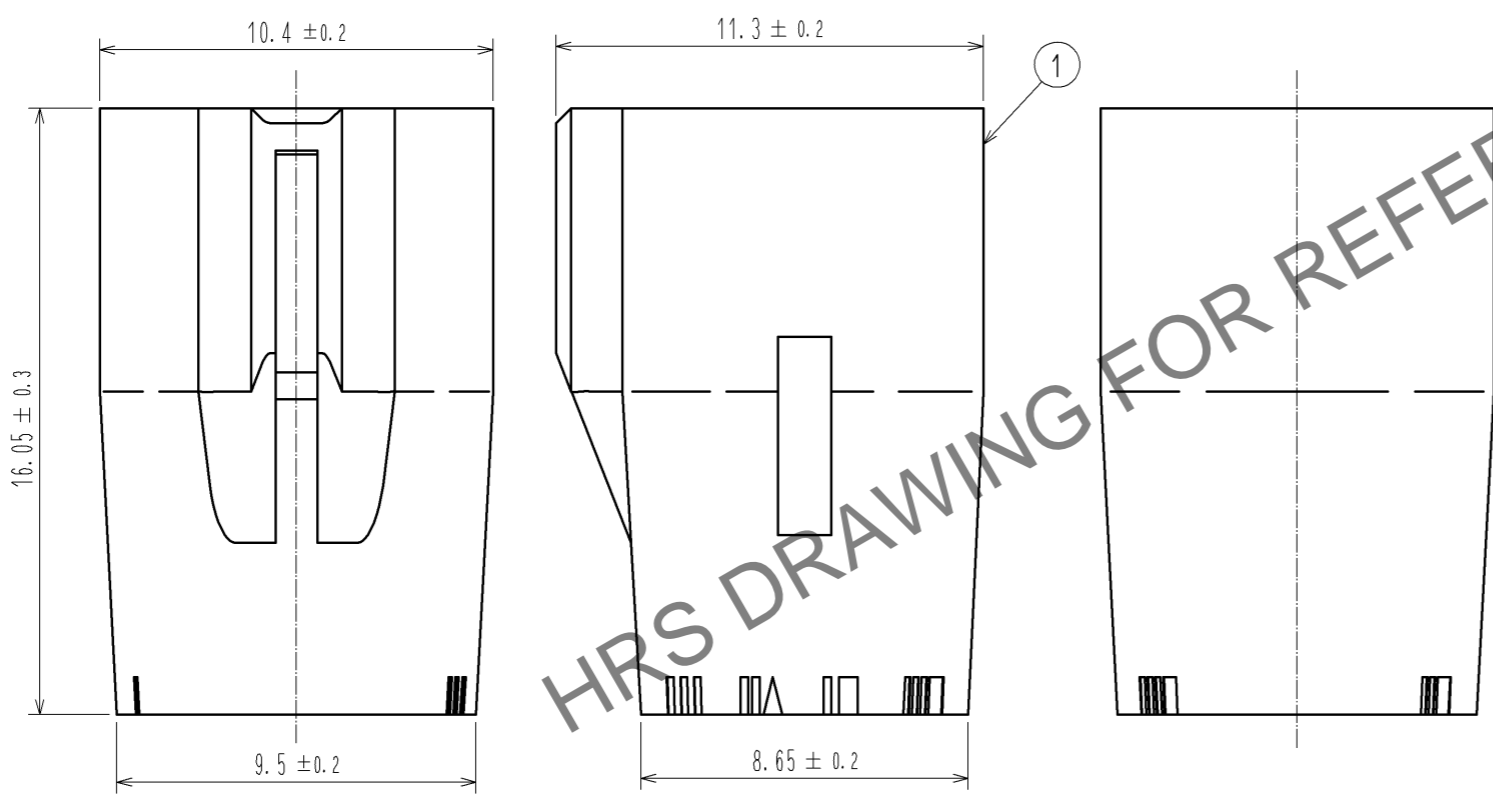
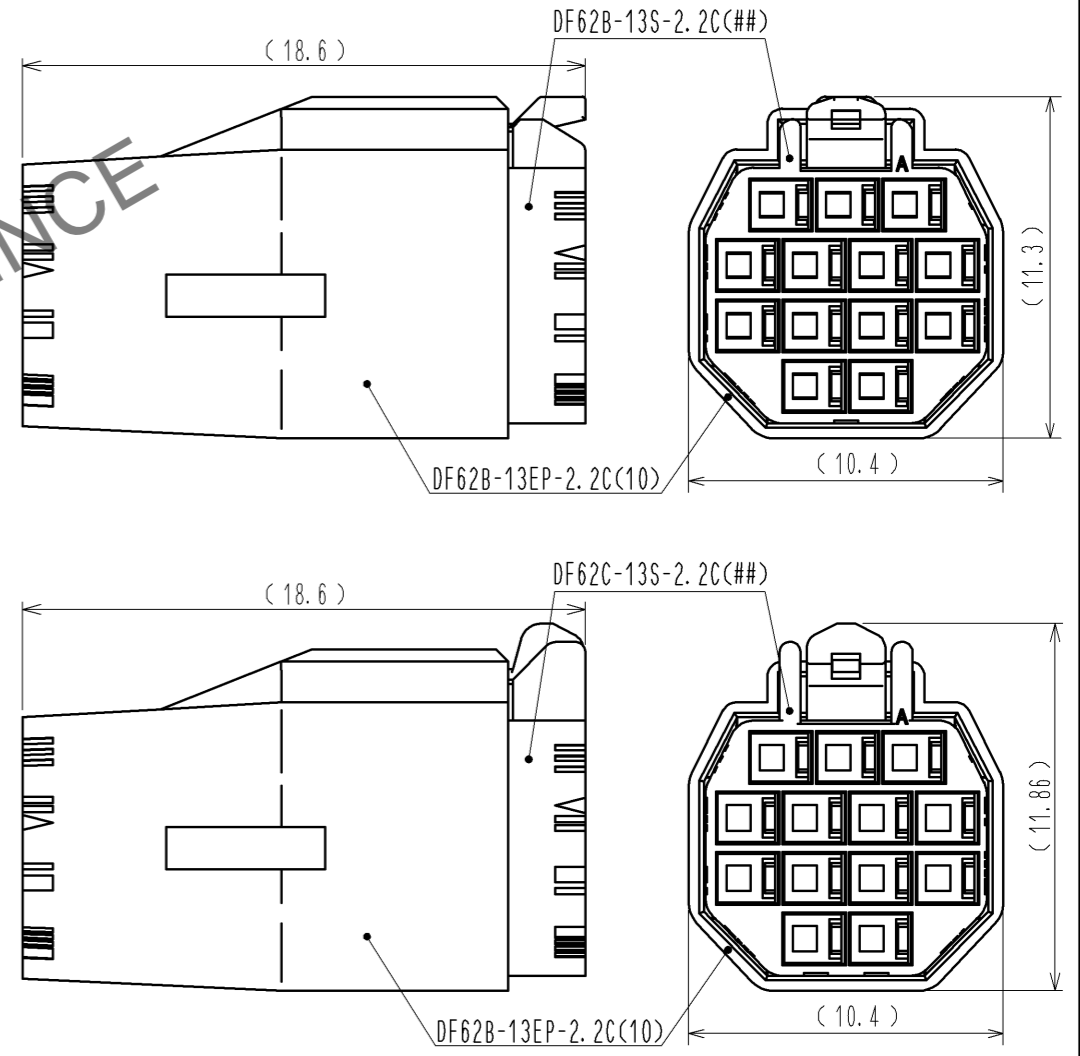
Jul.1.2024 Copyright 2024 HIROSE ELECTRIC CO., LTD. All Rights Reserved.
In case of consideration for using Automotive equipment / device which demand high reliability, kindly contact our sales window correspondents.



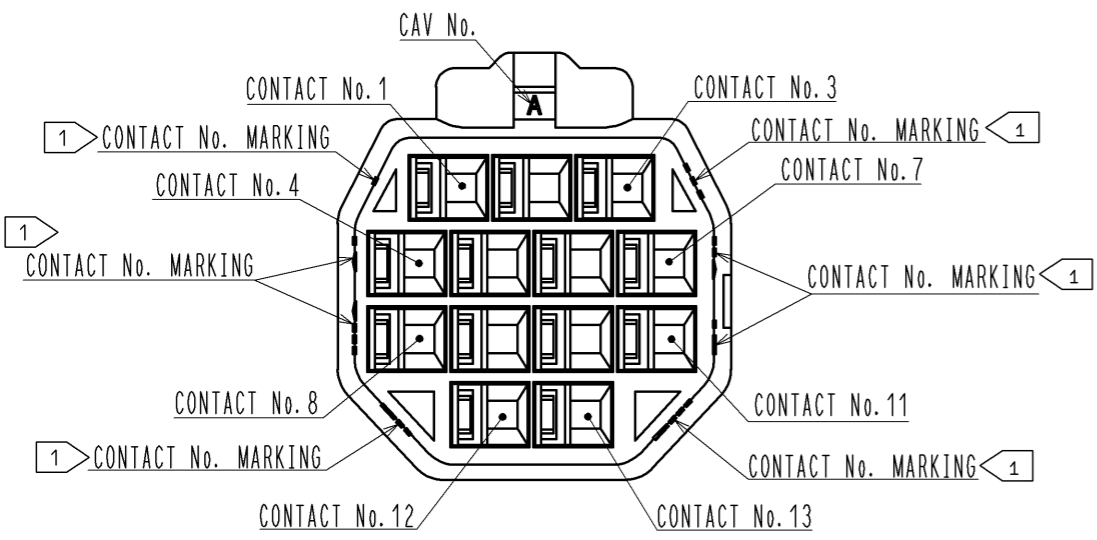
1 FIGURE-1 CONTACT No. MARKING (10:1)



MATING FIGURE (FREE)



HRS DRAWING FOR REFERENCE



NOTE. 1. MARKINGS AT THE INDICATED POSITIONS ARE CONTACT NO. MARKING. AND SHAPES ARE SHOWN IN FIGURE-1.
2. PER PACK : 100 PIECES.
3. THE DIMENSIONS IN PARENTHESIS ARE FOR REFERENCE.

NO.	MATERIAL	FINISH . REMARKS	1	PBT	UL94V-0 (WHITE)
UNITS mm		SCALE 5 : 1	COUNT △	DESIGNED	CHECKED
APPROVED : KI. AKIYAMA 13.05.29			DRAWING NO. EDC3-351969-01		
CHECED : HK. UMEHARA 13.05.29			PART NO. DF62B-13EP-2.2C(10)		
DESIGNED : TS. KUMAZAWA 13.05.29			CODE NO. CL544-0564-1-10		
DRAWN : TS. KUMAZAWA 13.05.29			DATE		