

Apr.1.2025 Copyright 2025 HIROSE ELECTRIC CO., LTD. All Rights Reserved.  
 In case of consideration for using Automotive equipment / device which demand high reliability, kindly contact our sales window correspondents.

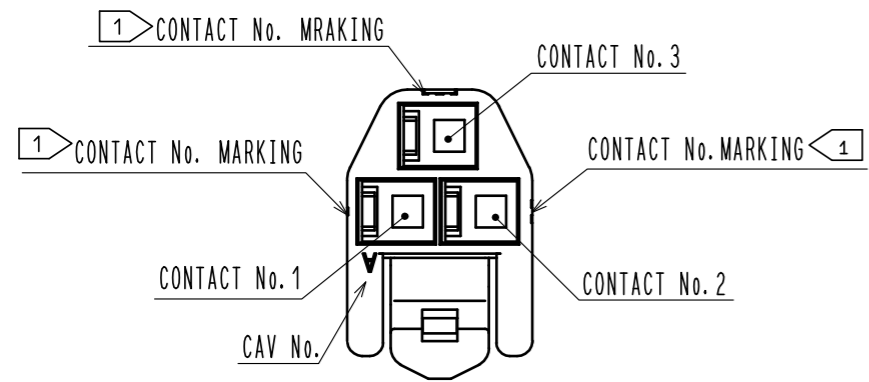
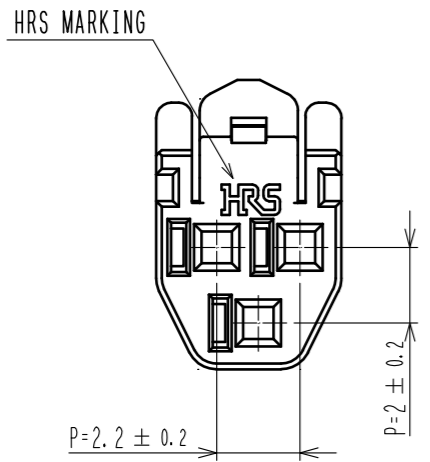
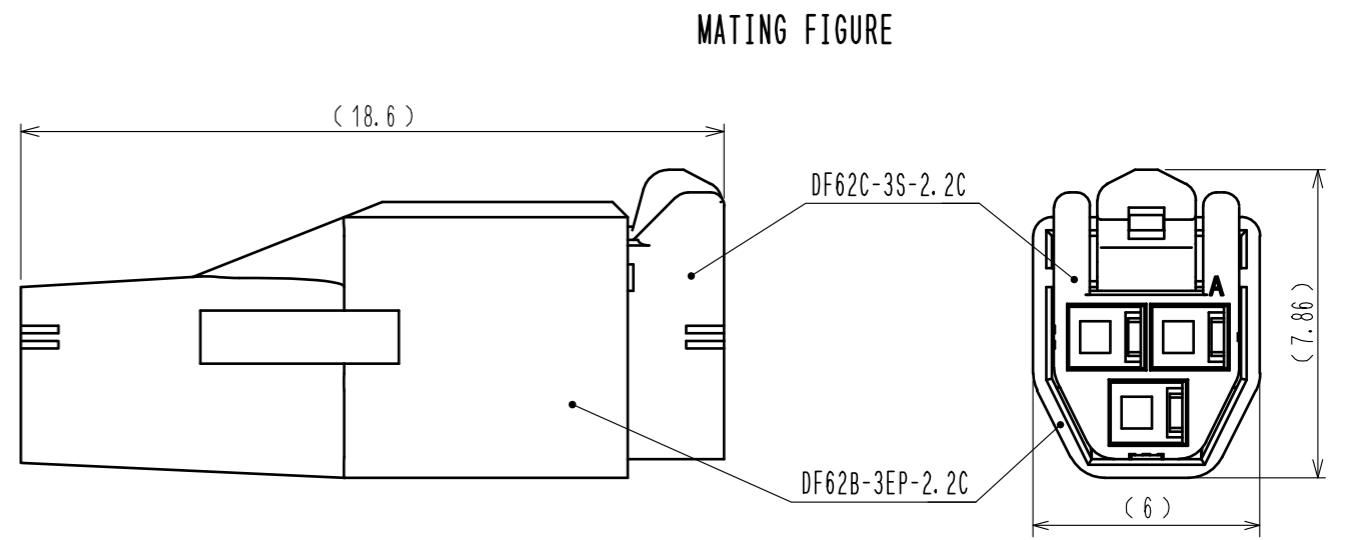
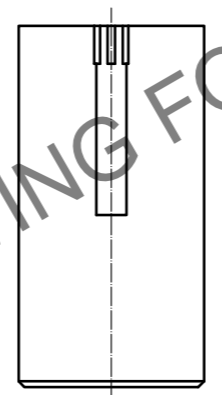
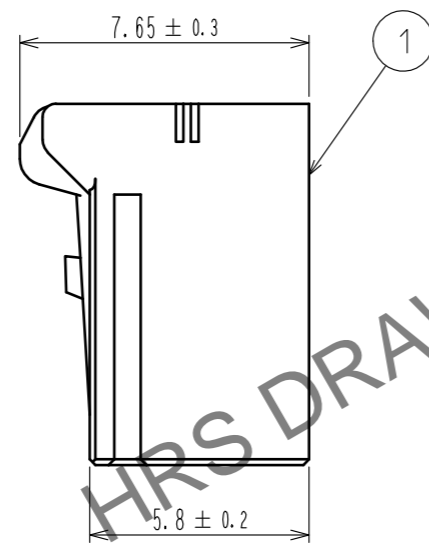
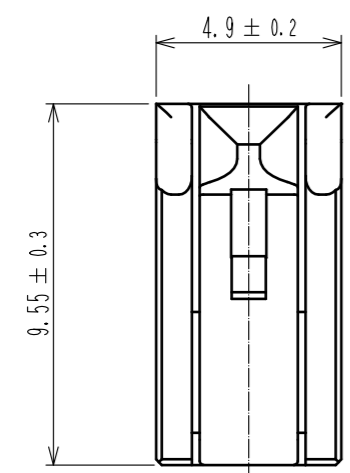
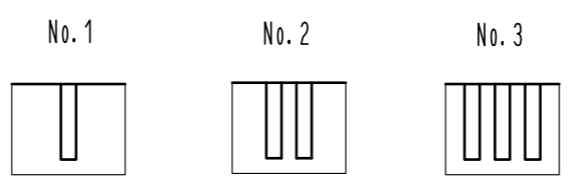


FIGURE-1 CONTACT No. MARKING (10:1)



NOTE. 1. MARKINGS AT THE INDICATED POSITIONS IS CONTACT NO. MARKING. AND SHAPES ARE SHOWN IN FIGURE-1.  
 2. PER PACK : 100 PIECES.  
 3. THE DIMENSIONS IN PARENTHESIS ARE FOR REFERENCE.

NO.	MATERIAL	FINISH . REMARKS	NO.	MATERIAL	FINISH . REMARKS			
			1	PBT	UL94V-0(WHITE)			
UNITS	SCALE	COUNT	DESCRIPTION OF REVISIONS			DESIGNED	CHECKED	DATE
mm	5 : 1	△						
<b>HRS</b> HIROSE ELECTRIC CO., LTD.			APPROVED : KI. AKIYAMA	13.07.04	DRAWING NO. EDC3-351971-00			
			CHECED : OM. MIYAMOTO	13.07.03	PART NO. DF62C-3S-2.2C			
			DESIGNED : TH. YOSHIZAWA	13.07.03	CODE NO. CL544-0566-7-00			
			DRAWN : MI. SAKIMURA	13.06.27				