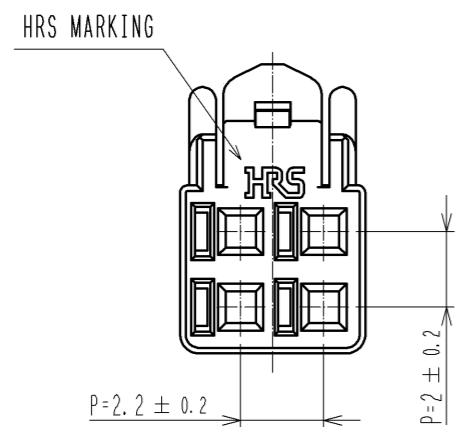
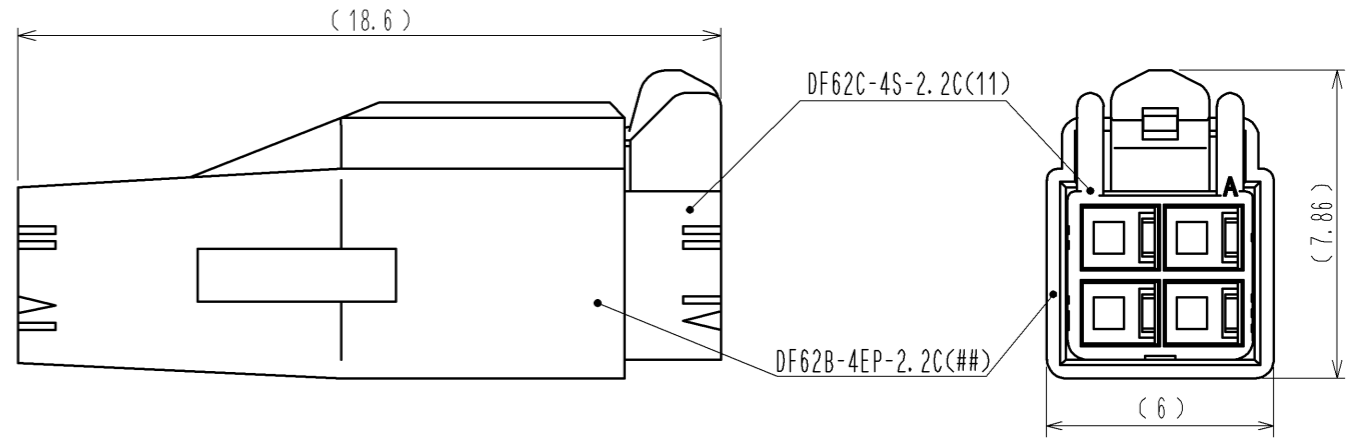
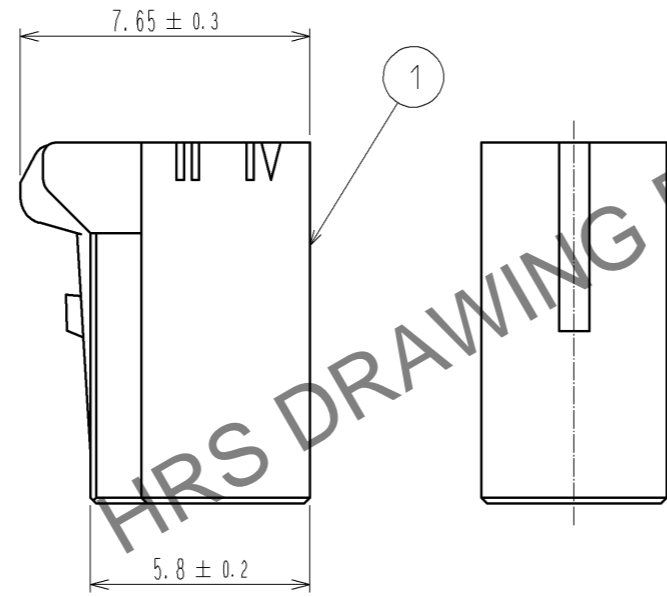
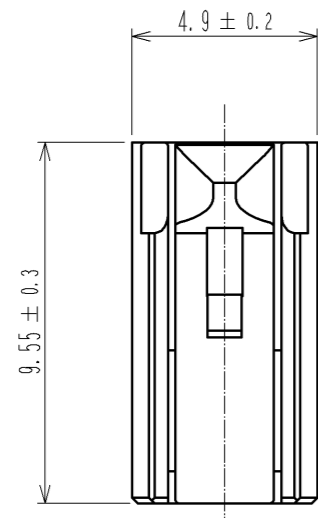
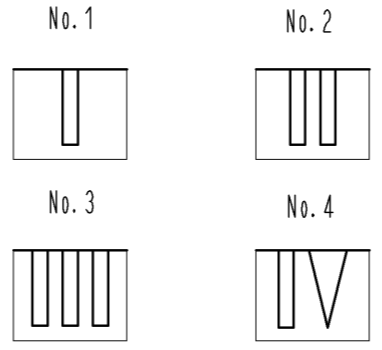
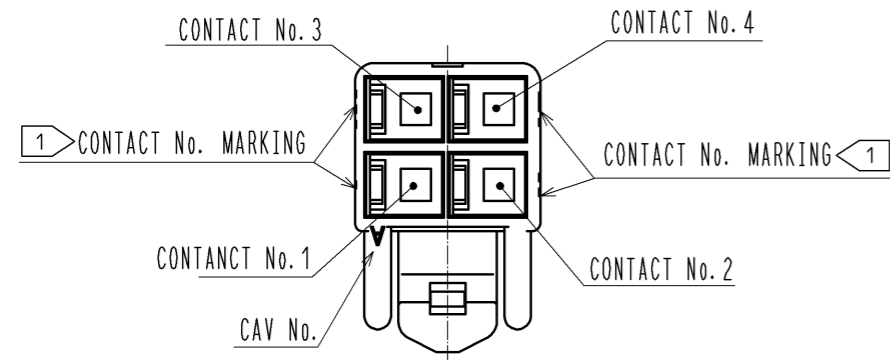


Apr.1.2025 Copyright 2025 HIROSE ELECTRIC CO., LTD. All Rights Reserved.
In case of consideration for using Automotive equipment / device which demand high reliability, kindly contact our sales window correspondents.

1> FIGURE-1 CONTACT No. MARKING (10:1)



NOTE. 1> MARKINGS AT THE INDICATED POSITIONS ARE CONTACT NO. MARKING. AND SHAPES ARE SHOWN IN FIGURE-1.
2. PER PACK : 100 PIECES.
3. THE DIMENSIONS IN PARENTHESIS ARE FOR REFERENCE.

NO.		MATERIAL		FINISH . REMARKS		1	PBT	UL94V-0 (BLACK)
UNITS		SCALE	COUNT	DESCRIPTION OF REVISIONS		DESIGNED	CHECKED	DATE
mm		5 : 1						
HRS		HIROSE ELECTRIC CO., LTD.		APPROVED : KI. AKIYAMA	13.05.29	DRAWING NO. EDC3-351972-01		
				CHECED : HK. UMEHARA	13.05.29	PART NO. DF62C-4S-2.2C(11)		
				DESIGNED : TS. KUMAZAWA	13.05.29	CODE NO. CL544-0567-0-11		
				DRAWN : TS. KUMAZAWA	13.05.29	1/1		