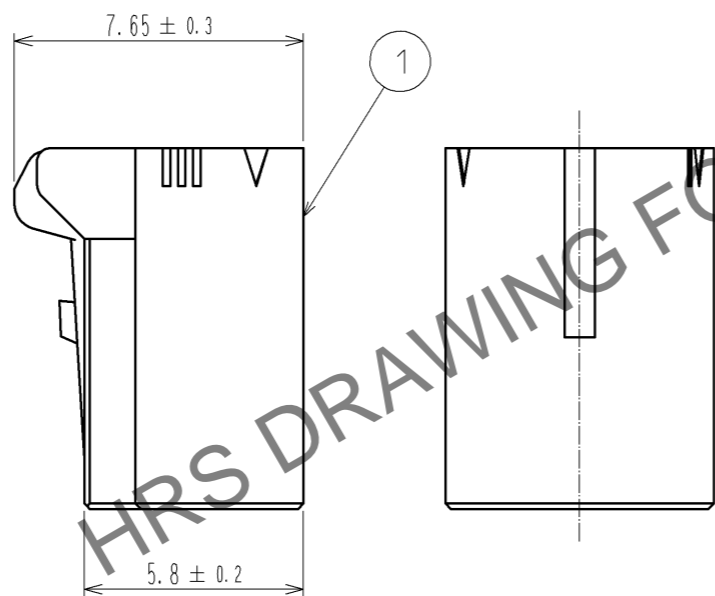
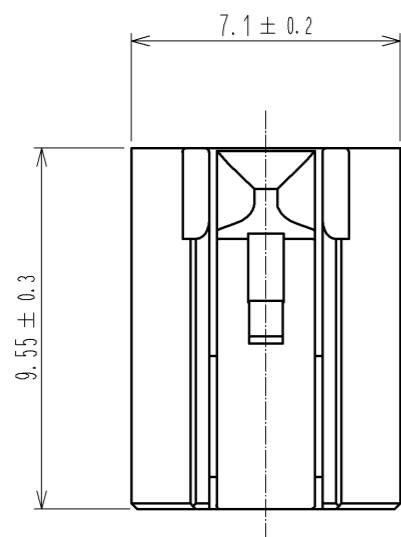
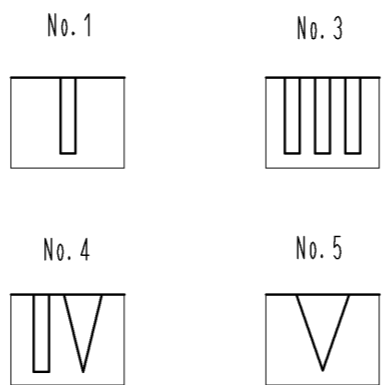
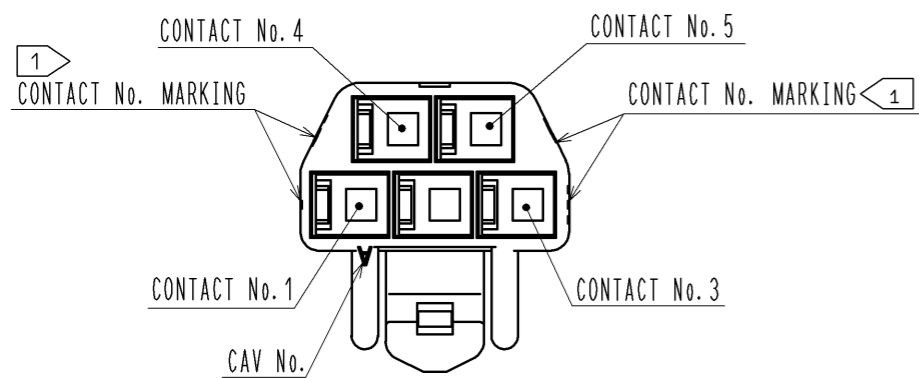
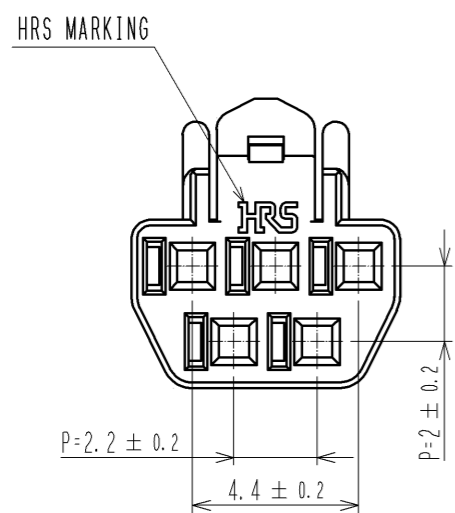
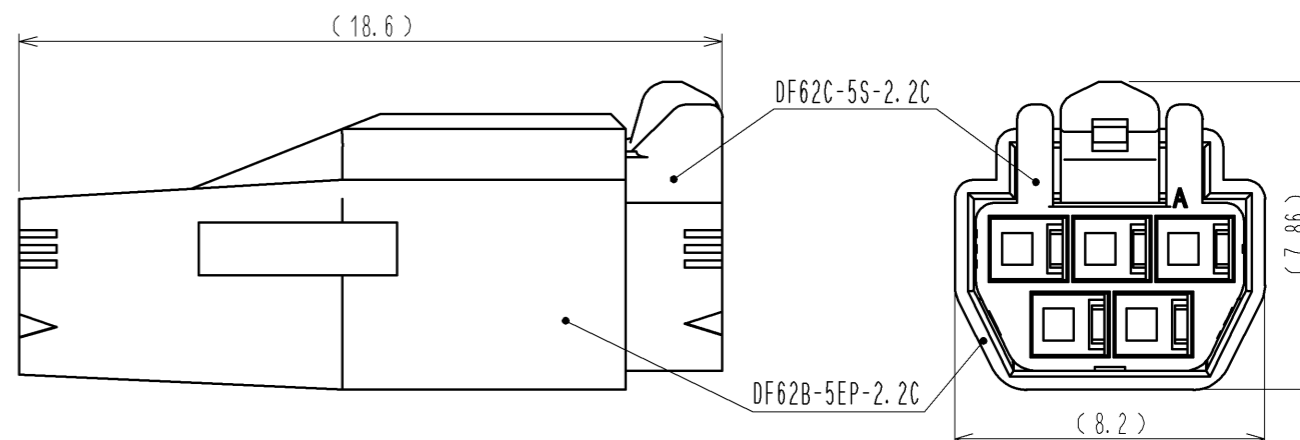


Apr.1.2025 Copyright 2025 HIROSE ELECTRIC CO., LTD. All Rights Reserved.
 In case of consideration for using Automotive equipment / device which demand high reliability, kindly contact our sales window correspondents.

1> FIGURE-1 CONTACT No. MARKING (10:1)



MATING FIGURE



NOTE. 1> MARKINGS AT THE INDICATED POSITIONS ARE CONTACT NO. MARKING. AND SHAPES ARE SHOWN IN FIGURE-1.
 2. PER PACK : 100 PIECES.
 3. THE DIMENSIONS IN PARENTHESIS ARE FOR REFERENCE.

NO.	MATERIAL	FINISH . REMARKS	NO.	MATERIAL	FINISH . REMARKS
			1	PBT	UL94V-0 (WHITE)
UNITS	mm	SCALE	5 : 1	COUNT	DESCRIPTION OF REVISIONS
		APPROVED : KI. AKIYAMA	13.07.04	DRAWING NO.	EDC3-351973-00
		CHECED : OM. MIYAMOTO	13.07.03	PART NO.	DF62C-5S-2.2C
		DESIGNED : TH. YOSHIZAWA	13.07.03	CODE NO.	CL544-0568-2-00
		DRAWN : MI. SAKIMURA	13.06.27		