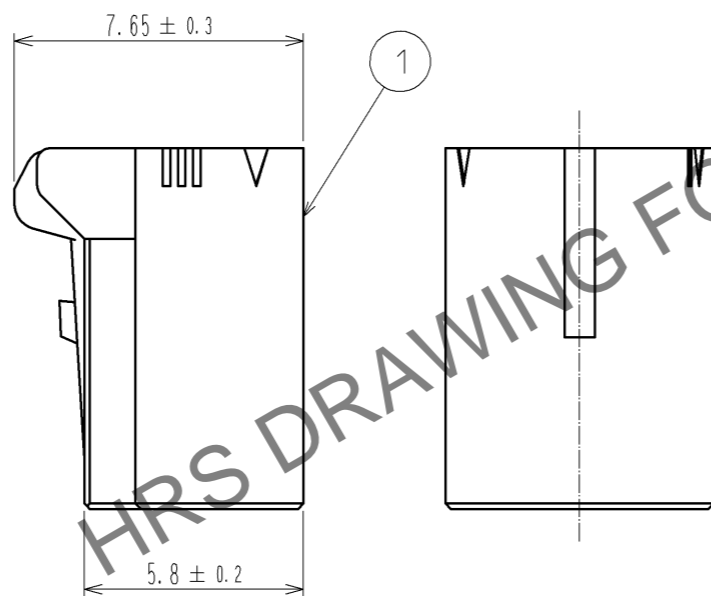
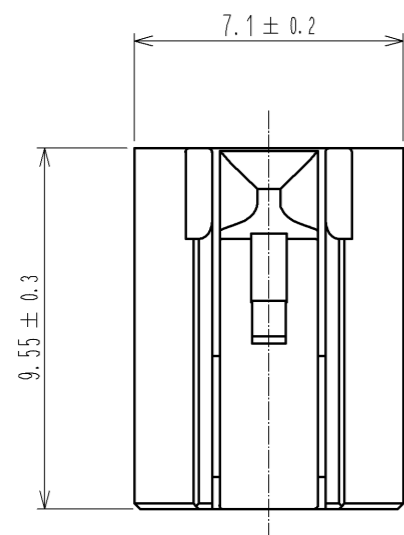
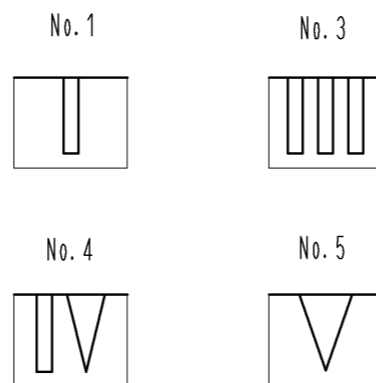
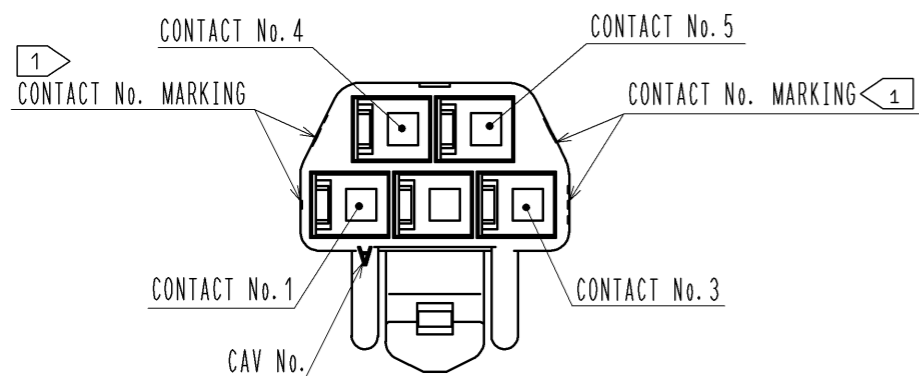
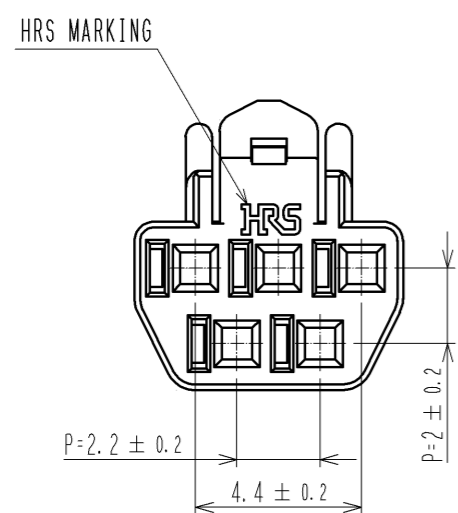
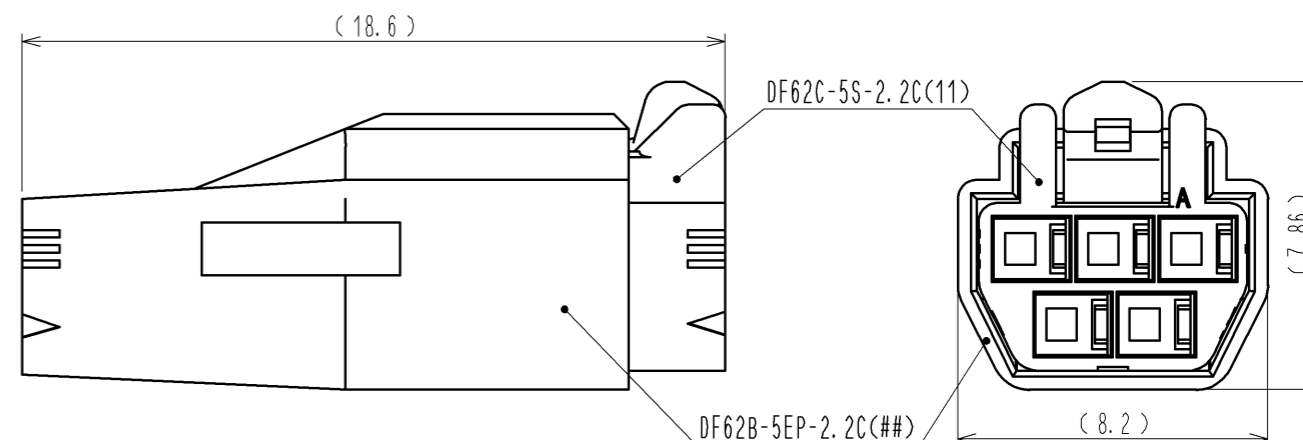


Mar.1.2025 Copyright 2025 HIROSE ELECTRIC CO., LTD. All Rights Reserved.  
In case of consideration for using Automotive equipment / device which demand high reliability, kindly contact our sales window correspondents.

1> FIGURE-1 CONTACT No. MARKING (10:1)



MATING FIGURE



- NOTE. 1> MARKINGS AT THE INDICATED POSITIONS ARE CONTACT NO. MARKING. AND SHAPES ARE SHOWN IN FIGURE-1.  
2. PER PACK : 100 PIECES.  
3. THE DIMENSIONS IN PARENTHESIS ARE FOR REFERENCE.

NO.	MATERIAL	FINISH . REMARKS	NO.	MATERIAL	FINISH . REMARKS		
			1	PBT	UL94V-0 (BLACK)		
UNITS	mm	SCALE	COUNT	DESCRIPTION OF REVISIONS	DESIGNED	CHECKED	DATE
		5 : 1	△				
APPROVED : KI. AKIYAMA			13.09.17	DRAWING NO. EDC3-351973-01			
CHECKED : OM. MIYAMOTO			13.09.13	PART NO. DF62C-5S-2.2C(11)			
DESIGNED : TH. YOSHIKAWA			13.09.13	CODE NO. CL544-0568-2-11			
DRAWN : MI. SAKIMURA			13.09.09	△ 1/1			