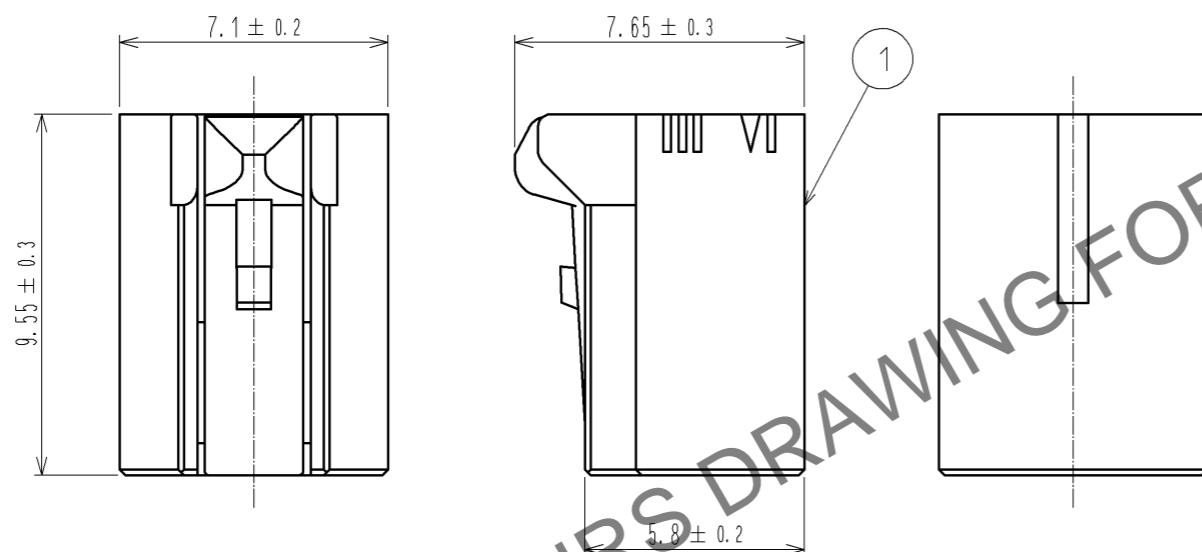
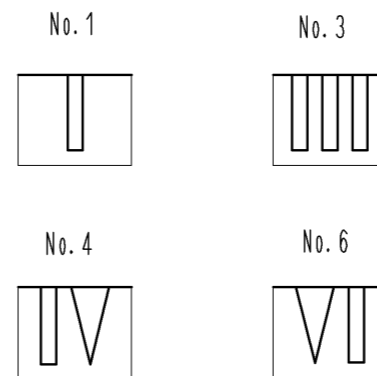
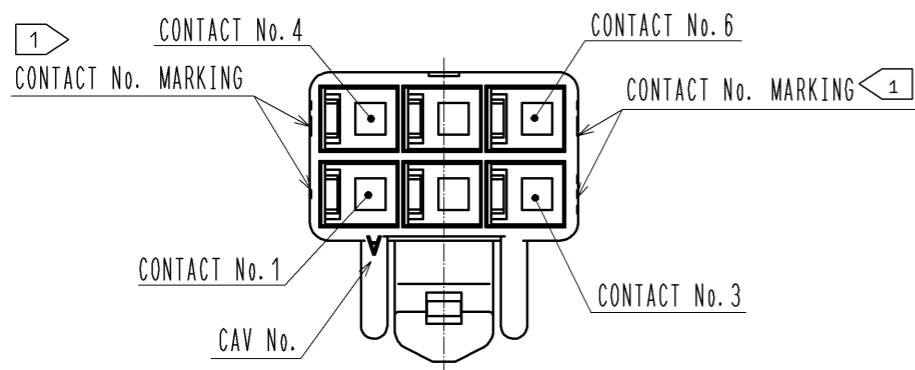
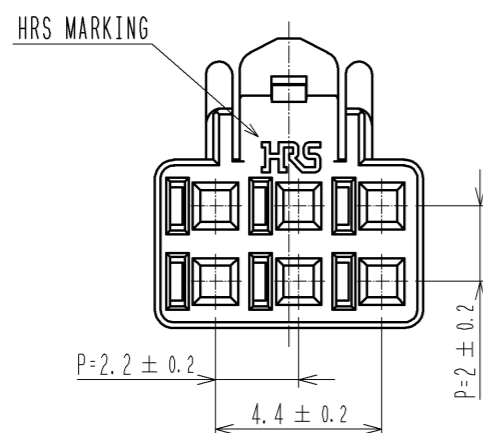
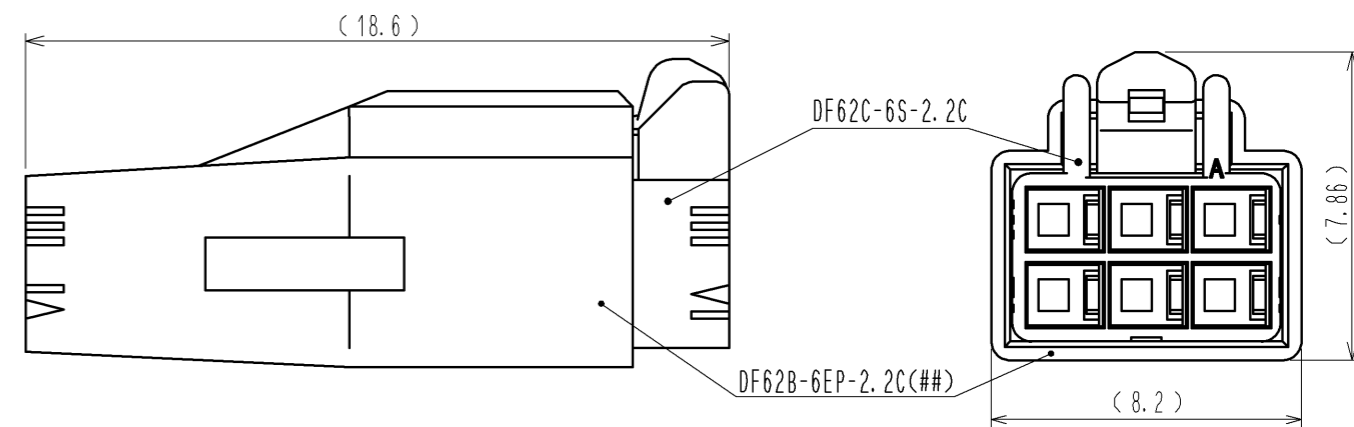


Apr.1.2025 Copyright 2025 HIROSE ELECTRIC CO., LTD. All Rights Reserved.  
In case of consideration for using Automotive equipment / device which demand high reliability, kindly contact our sales window correspondents.

1> FIGURE-1 CONTACT No. MARKING (10:1)



MATING FIGURE



- NOTE. 1> MARKINGS AT THE INDICATED POSITIONS ARE CONTACT NO. MARKING. AND SHAPES ARE SHOWN IN FIGURE-1.  
2. PER PACK : 100 PIECES.  
3. THE DIMENSIONS IN PARENTHESIS ARE FOR REFERENCE.

NO.	MATERIAL	FINISH . REMARKS	NO.	MATERIAL	FINISH . REMARKS
			1	PBT	UL94V-0 (WHITE)
UNITS mm		SCALE 5 : 1	DESCRIPTION OF REVISIONS		
		COUNT	DESIGNED	CHECKED	DATE
HIROSE ELECTRIC CO., LTD.		APPROVED : KI. AKIYAMA	13.05.28	DRAWING NO. EDC3-351974-00	
		CHECED : HK. UMEHARA	13.05.28	PART NO. DF62C-6S-2.2C	
		DESIGNED : TS. KUMAZAWA	13.05.28	CODE NO. CL544-0569-5-00	
		DRAWN : TS. KUMAZAWA	13.05.28	1/1	