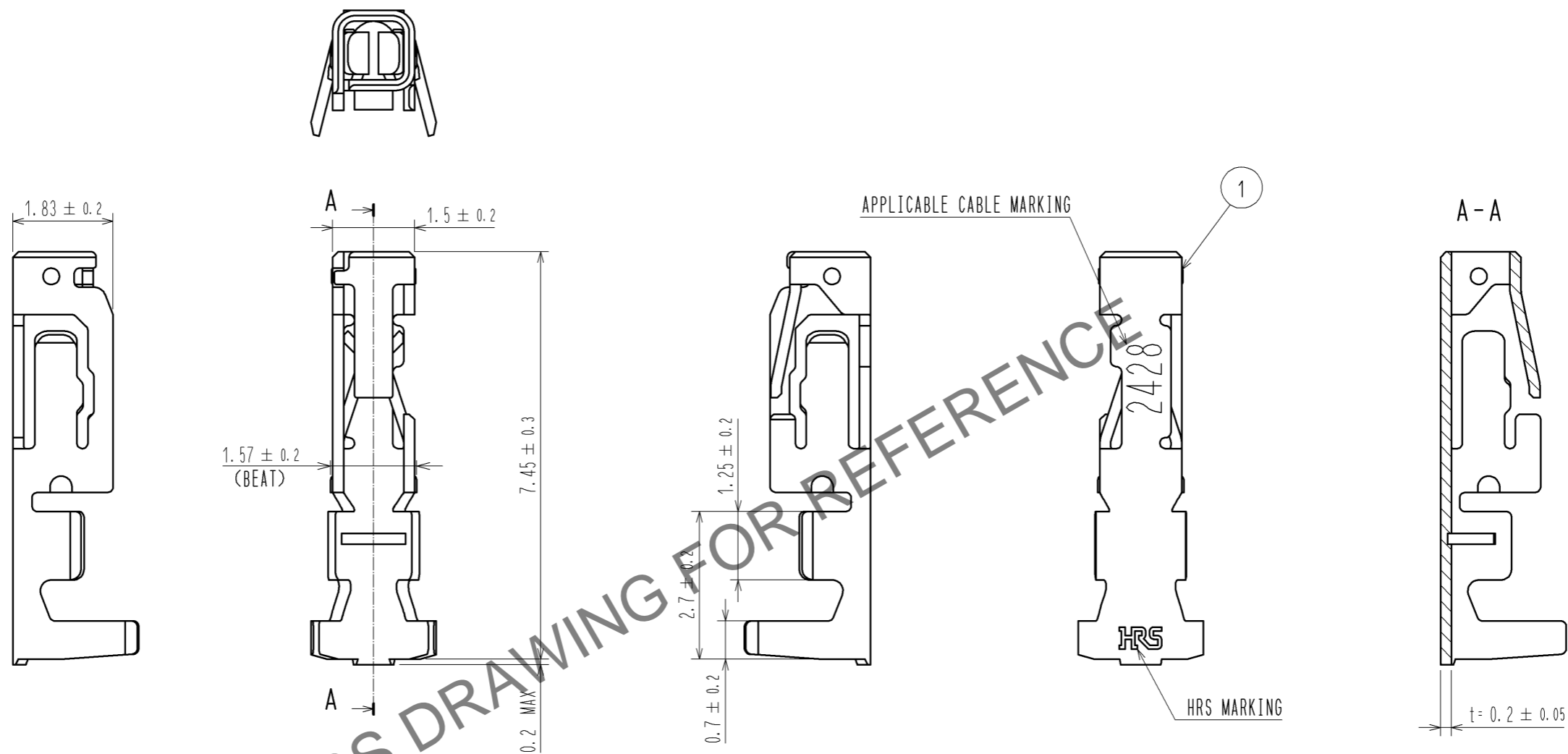


Jun.1.2024 Copyright 2024 HIROSE ELECTRIC CO., LTD. All Rights Reserved.
 In case of consideration for using Automotive equipment / device which demand high reliability, kindly contact our sales window correspondents.

NOTE 1. 1PACK:100 CONTACTS



NO.		MATERIAL		FINISH . REMARKS		1		PHOSPHOR BRONZE		TIN PLATING 1μm MIN	
UNITS mm		SCALE 10:1		COUNT		DESCRIPTION OF REVISIONS		DESIGNED		CHECKED	
HRS		HIROSE ELECTRIC CO., LTD.		APPROVED : KI. AKIYAMA		14. 04. 26		DRAWING NO.		EDC3-352025-00	
				CHECKED : KI. AKIYAMA		14. 04. 26		PART NO.		DF62-2428SC	
				DESIGNED : TS. KUMAZAWA		14. 04. 25		CODE NO.		CL544-0573-2-00	
				DRAWN : TS. KUMAZAWA		14. 04. 25				1/1	