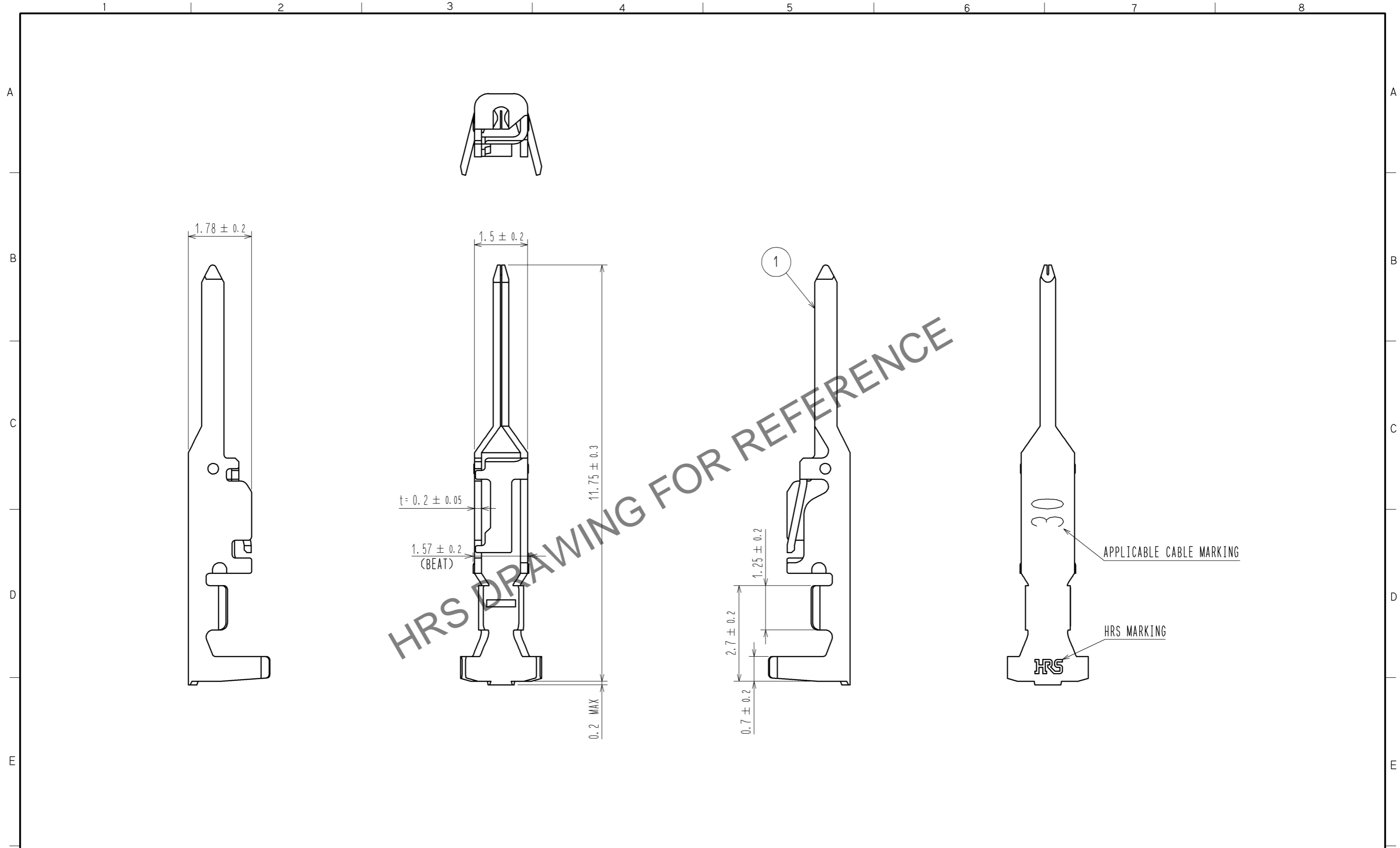


Jul.1.2024 Copyright 2024 HIROSE ELECTRIC CO., LTD. All Rights Reserved.  
 In case of consideration for using Automotive equipment / device which demand high reliability, kindly contact our sales window correspondents.



NOTE 1. 1PACK:100 CONTACTS

NO.		MATERIAL		FINISH . REMARKS		NO.		MATERIAL		FINISH . REMARKS	
		1		PHOSPHOR BRONZE				TIN PLATING 1μm MIN			
UNITS	mm	SCALE	10:1	COUNT	△	DESCRIPTION OF REVISIONS		DESIGNED	CHECKED	DATE	
<b>HRS</b>		HIROSE ELECTRIC CO., LTD.		APPROVED : KI. AKIYAMA		14. 04. 26		DRAWING NO.		EDC3-352029-00	
				CHECKED : KI. AKIYAMA		14. 04. 26		PART NO.		DF62-EP30PC	
				DESIGNED : TS. KUMAZAWA		14. 04. 25		CODE NO.		CL544-0577-3-00	
				DRAWN : TS. KUMAZAWA		14. 04. 25				△ 1/1	