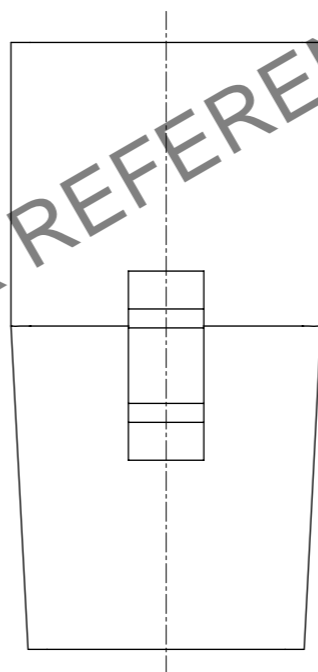
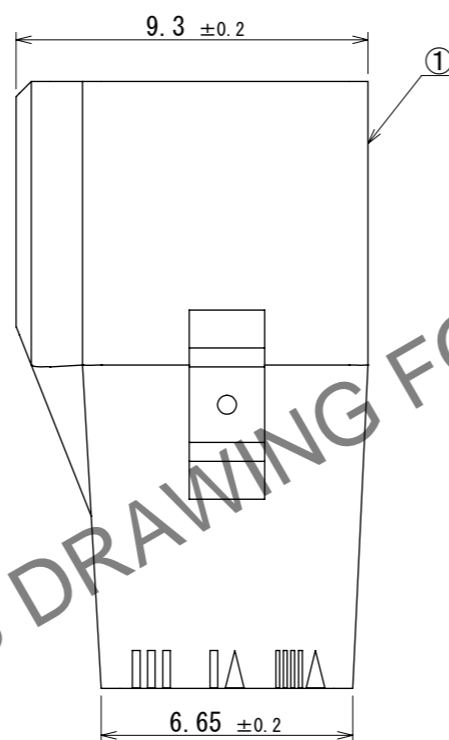
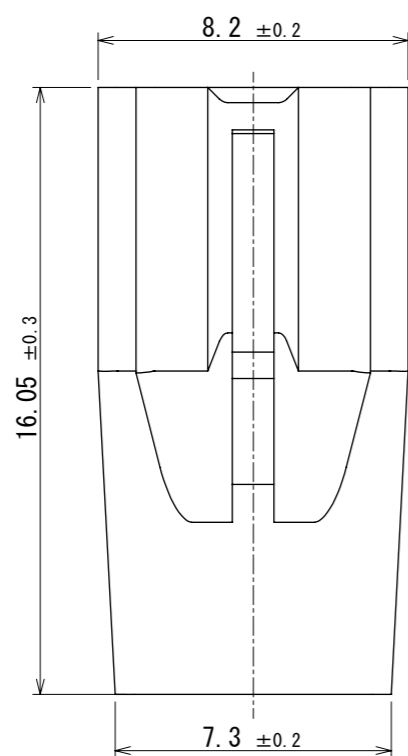
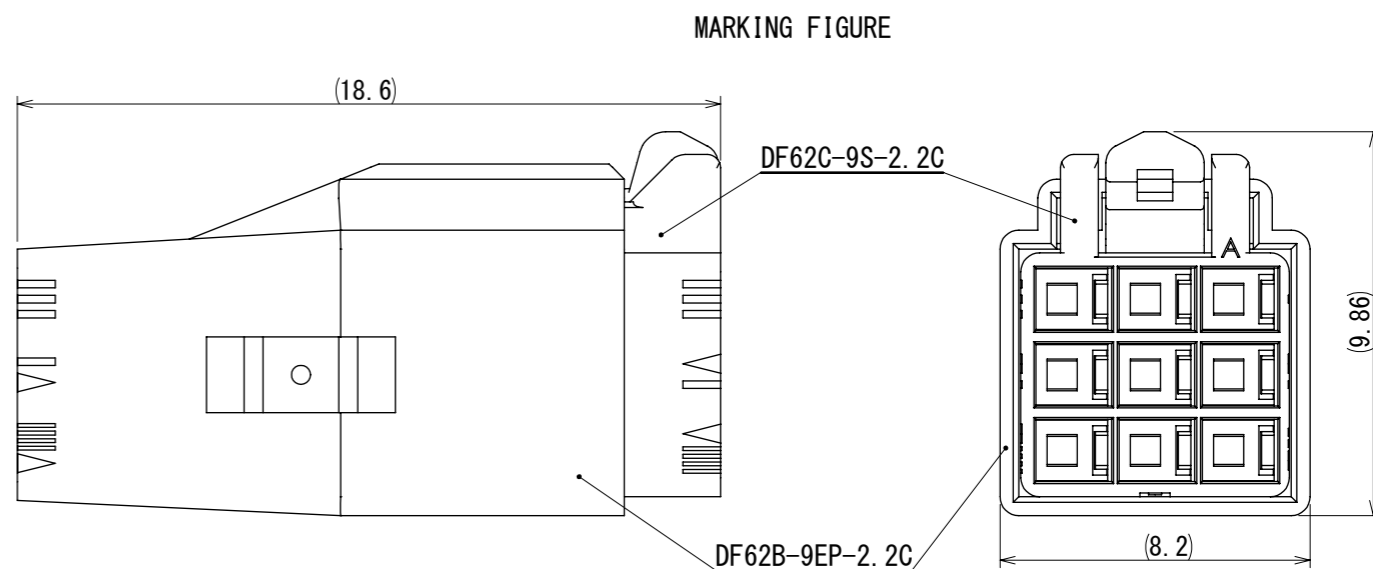
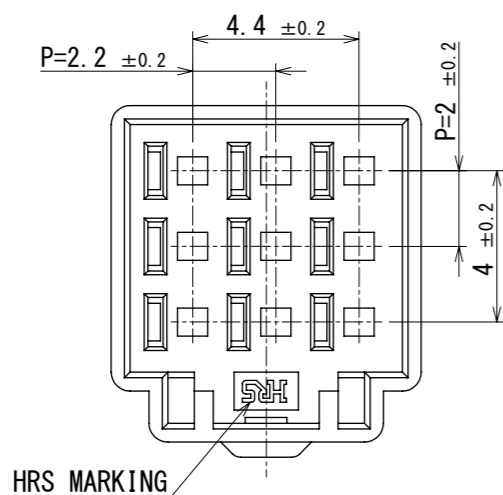
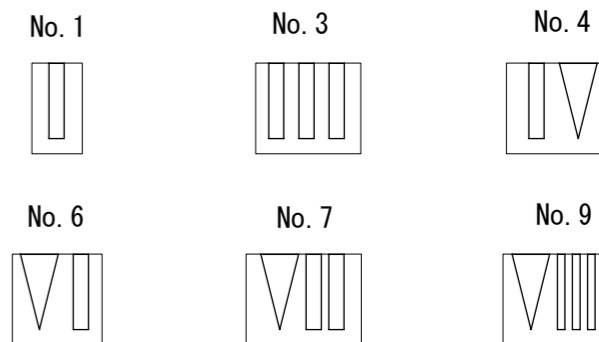


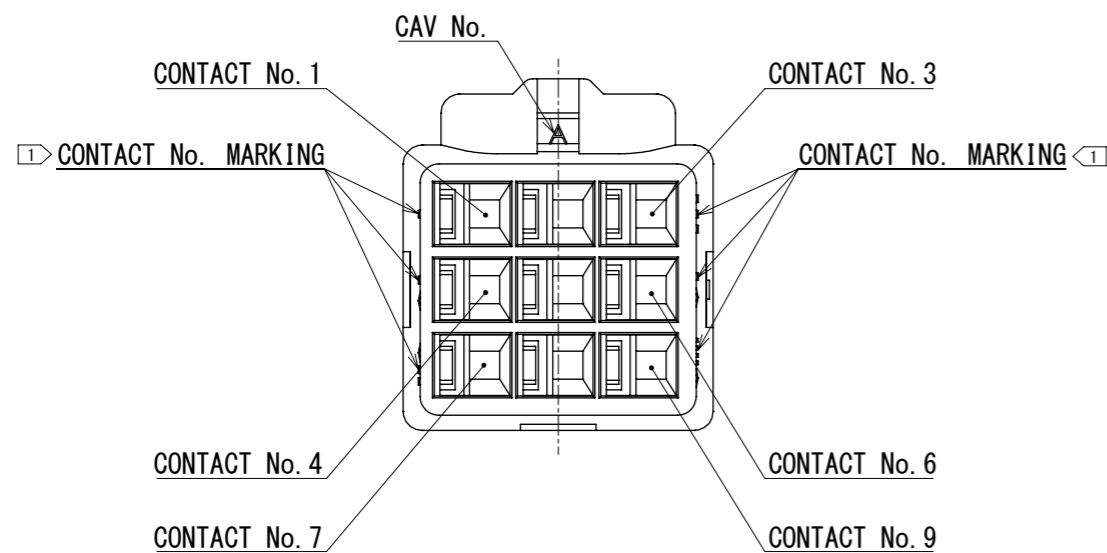
May.1.2025 Copyright 2025 HIROSE ELECTRIC CO., LTD. All Rights Reserved.  
In case of consideration for using Automotive equipment / device which demand high reliability, kindly contact our sales window correspondents.



◇ FIGURE-1 CONTACT No. MARKING (10:1)



- 注 ① MARKING AT THE INDICATED POSITIONS ARE CONTACT No. MARKING. AND SHAPES ARE SHOWN IN FIGURE-1.  
 2. PER PACK : 100 PIECES.  
 3. THE DIMENSIONS IN PARENTHESIS ARE FOR REFERENCE.  
 4. PLEASE REFER TO THE TECHNICAL SPECIFICATION (ATAP-H0849-00) FOR THE PACKING TYPE.  
 5. PLEASE REFER TO THE TECHNICAL SPECIFICATION (ETAD-H0599-00, ETAD-H0593-00) FOR HANDLING.  
 6. UL (FILE No. E52653)、C-UL (FILE No. E52653) AUTHORIZATION ARTICLE.



NO.		MATERIAL		FINISH		REMARKS		NO.		MATERIAL		FINISH		REMARKS	
								1		PBT				UL94V-0 (BLACK)	
UNITS		SCALE		COUNT		DESCRIPTION OF REVISIONS		DESIGNED		CHECKED		DATE			
mm		5:1		△											
HIROSE ELECTRIC CO., LTD.		APPROVED : SJ. OKAMURA		2024. 08. 14		DRAWING NO.		EDC-406409-00-00							
		CHECKED : SZ. ONO		2024. 08. 14		PART NO.		DF62B-9EP-2.2C							
		DESIGNED : RI. GENDA		2024. 08. 14		CODE NO.		CL0544-0623-0-00							
		DRAWN : RI. GENDA		2024. 08. 14											