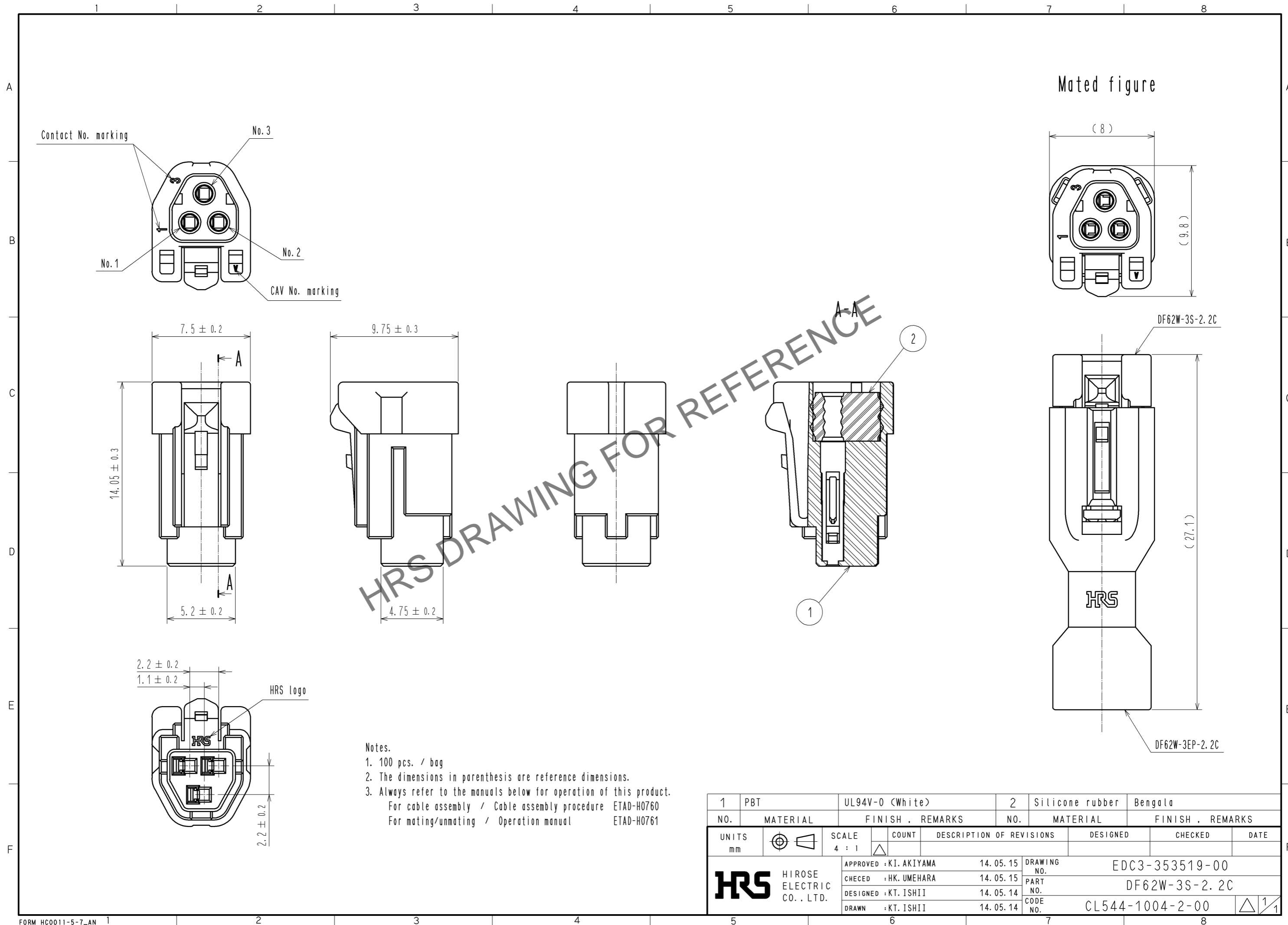


May.1.2024 Copyright 2024 HIROSE ELECTRIC CO., LTD. All Rights Reserved.
 In case of consideration for using Automotive equipment / device which demand high reliability, kindly contact our sales window correspondents.



- Notes.
1. 100 pcs. / bag
 2. The dimensions in parenthesis are reference dimensions.
 3. Always refer to the manuals below for operation of this product.
 For cable assembly / Cable assembly procedure ETAD-H0760
 For mating/unmating / Operation manual ETAD-H0761

1	PBT	UL94V-0 (White)	2	Silicone rubber	Bengala		
NO.	MATERIAL	FINISH . REMARKS	NO.	MATERIAL	FINISH . REMARKS		
UNITS mm		SCALE 4 : 1	COUNT 	DESCRIPTION OF REVISIONS	DESIGNED	CHECKED	DATE
HRS HIROSE ELECTRIC CO., LTD.		APPROVED : KI. AKIYAMA	14. 05. 15	DRAWING NO.	EDC3-353519-00		
		CHECED : HK. UMEHARA	14. 05. 15	PART NO.	DF62W-3S-2. 2C		
		DESIGNED : KT. ISHII	14. 05. 14	CODE NO.	CL544-1004-2-00		
		DRAWN : KT. ISHII	14. 05. 14		1/1		