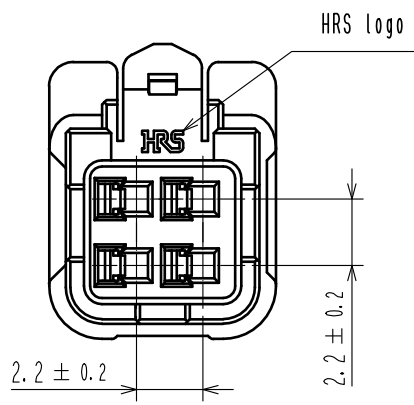
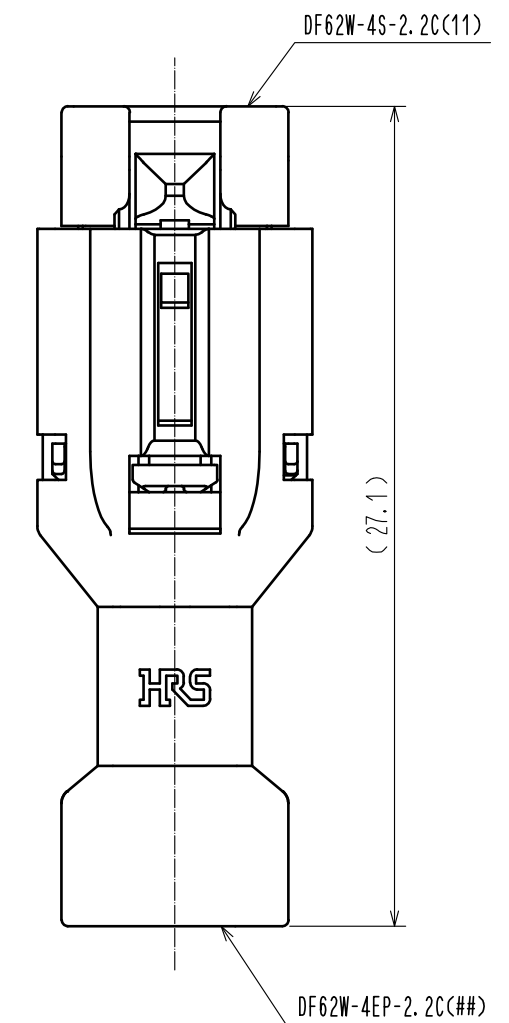
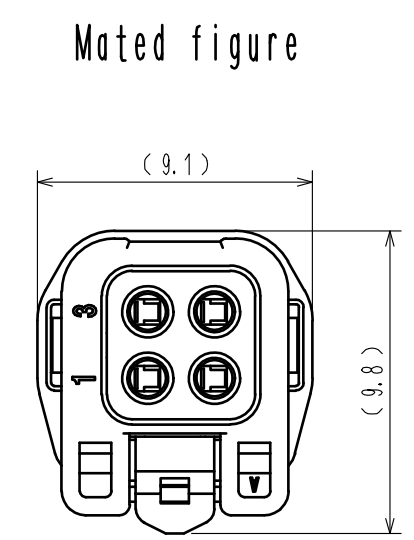
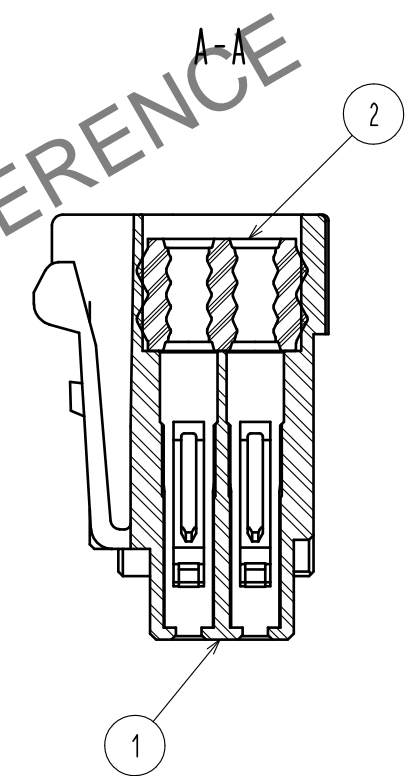
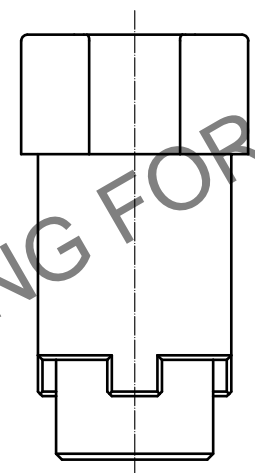
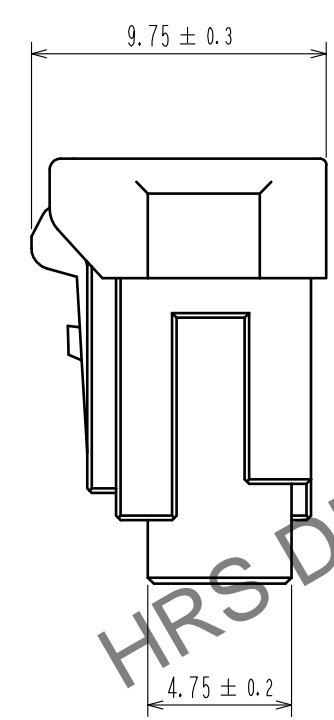
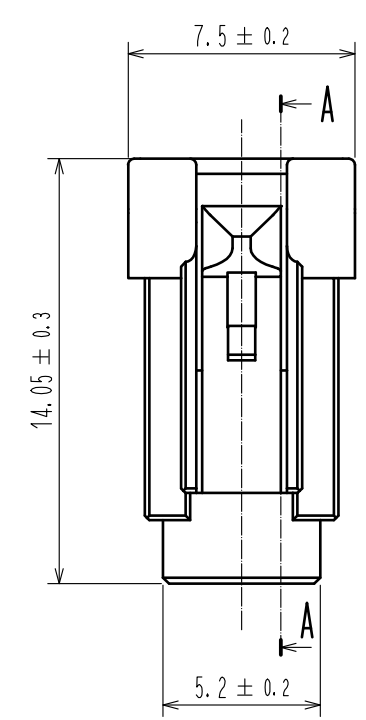
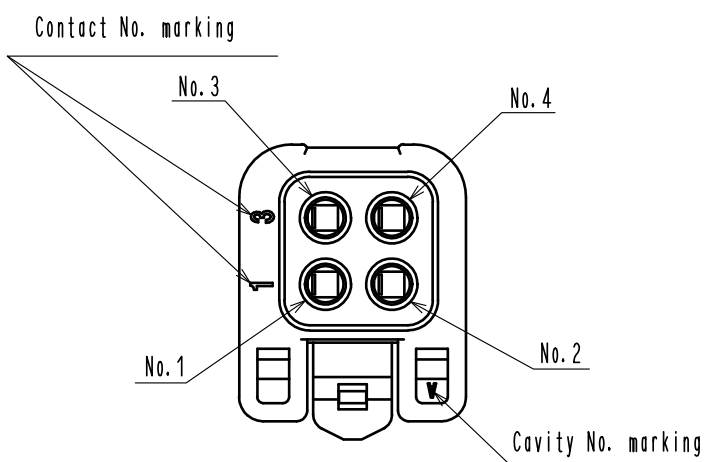


Jun.1.2024 Copyright 2024 HIROSE ELECTRIC CO., LTD. All Rights Reserved.
In case of consideration for using Automotive equipment / device which demand high reliability, kindly contact our sales window correspondents.



Notes.
 1. 100 pcs. / bag
 2. The dimensions in parenthesis are reference dimensions.
 3. Always refer to the manuals below for operation of this product.
 For cable assembly / Cable assembly procedure ETAD-H0760
 For mating/unmating / Operation manual ETAD-H0761

1	PBT	UL94V-0 (Black)	2	Silicone rubber	Bengala			
NO.	MATERIAL	FINISH . REMARKS	NO.	MATERIAL	FINISH . REMARKS			
UNITS		SCALE	COUNT	DESCRIPTION OF REVISIONS		DESIGNED	CHECKED	DATE
mm		4 : 1	△					
HIROSE ELECTRIC CO., LTD.		APPROVED : KI. AKIYAMA	16.03.25	DRAWING NO.		EDC-353725-11-00		
		CHECED : TS. FUKUSHIMA	16.03.25	PART NO.		DF62W-4S-2.2C(11)		
		DESIGNED : TS. KUMAZAWA	16.03.25	CODE NO.		CL544-1006-8-11		
		DRAWN : TS. KUMAZAWA	16.03.25			1/1		