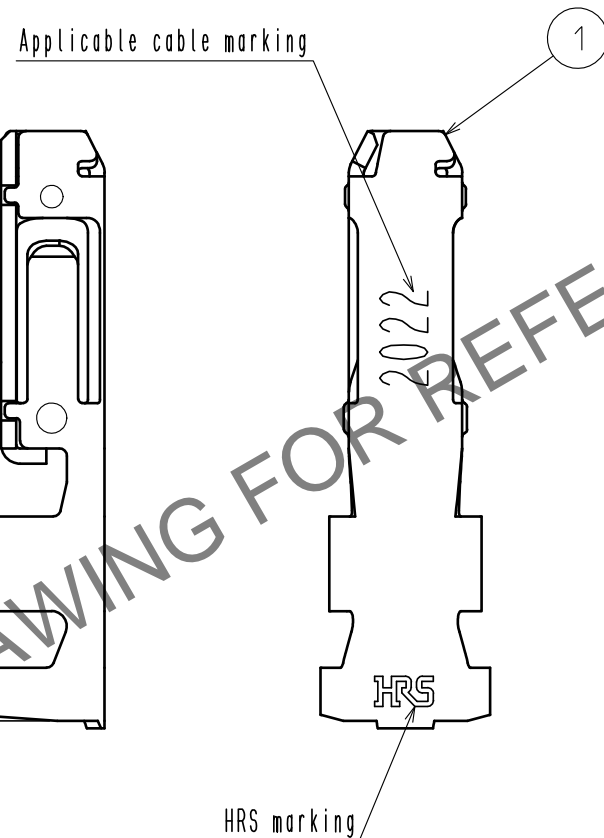
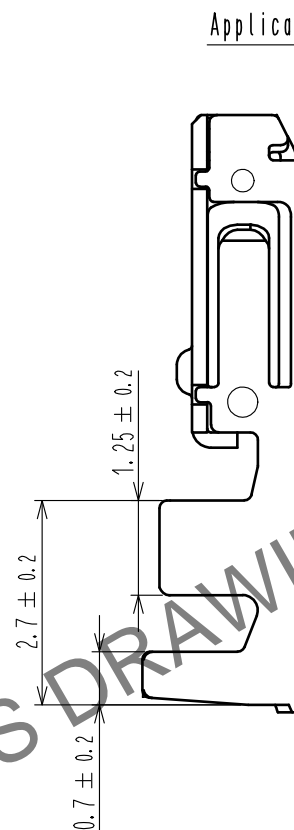
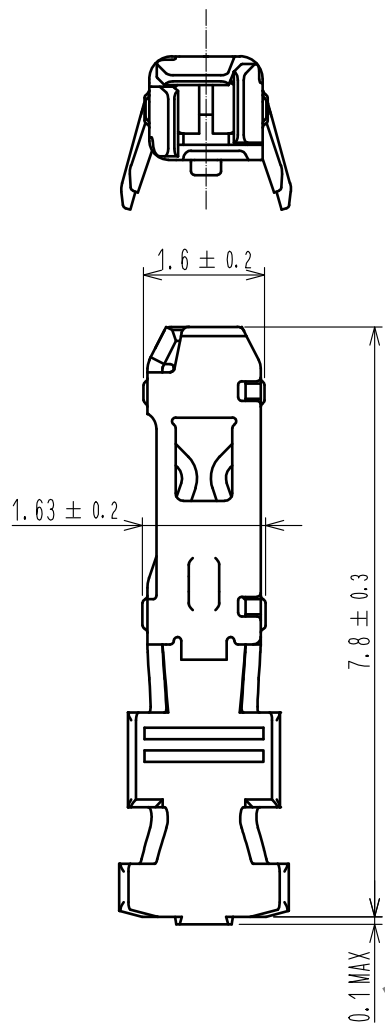
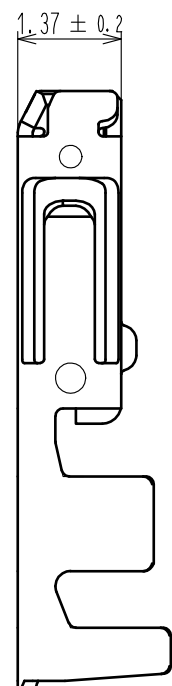


Jun.1.2024 Copyright 2024 HIROSE ELECTRIC CO., LTD. All Rights Reserved.
 In case of consideration for using Automotive equipment / device which demand high reliability, kindly contact our sales window correspondents.



HRS DRAWING FOR REFERENCE

Note 1. Per pack : 100 pieces.

NO.		MATERIAL		FINISH . REMARKS		1	Phosphor bronze	Tin plating 1μm min		
UNITS mm		SCALE 10 : 1		COUNT		DESCRIPTION OF REVISIONS		DESIGNED	CHECKED	DATE
HIROSE ELECTRIC CO., LTD.		APPROVED : HS. OKAWA		17.06.07		DRAWING NO.		EDC-360861-00-00		
		CHECKED : TS. FUKUSHIMA		17.06.07		PART NO.		DF62W-2022SC		
		DESIGNED : HT. SATO		17.06.06		CODE NO.		CL544-1017-4-00		
		DRAWN : MI. SAKIMURA		17.06.06						