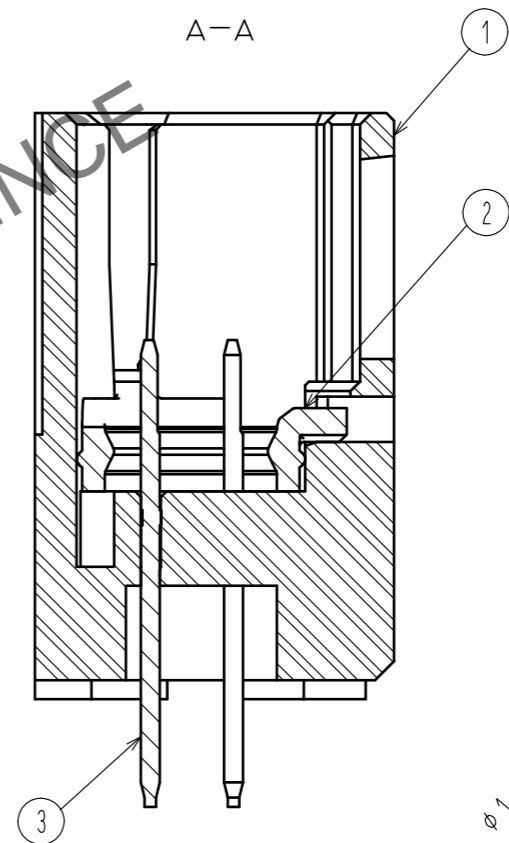
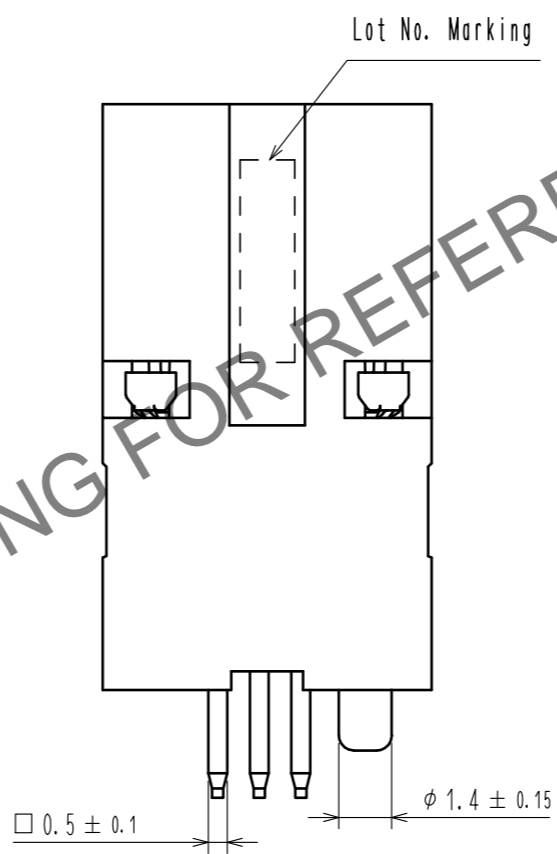
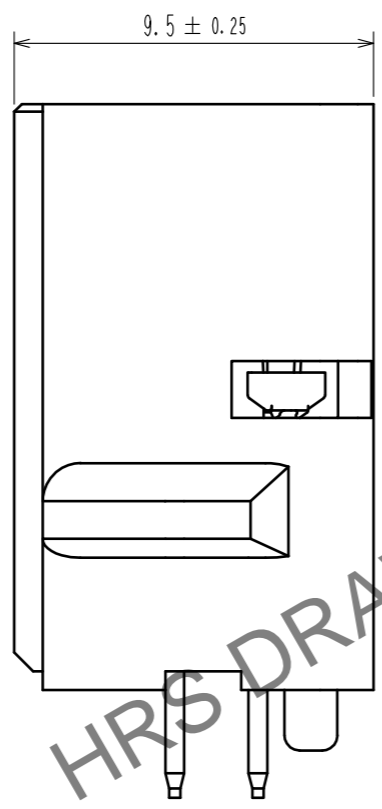
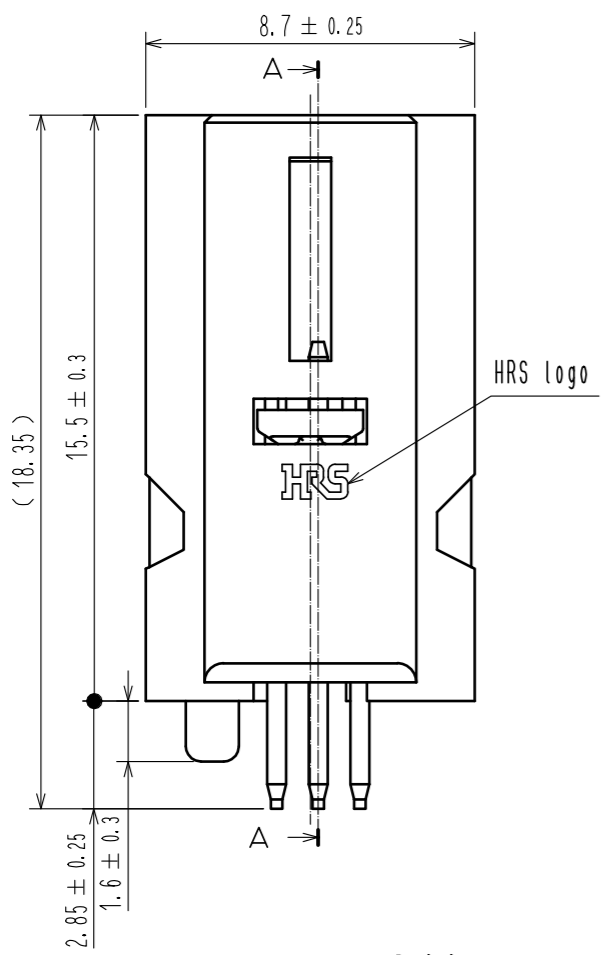
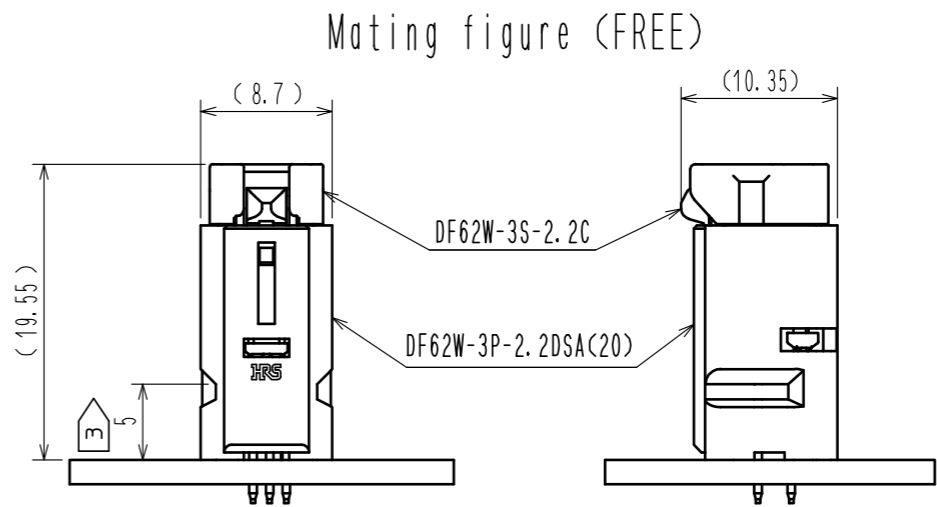
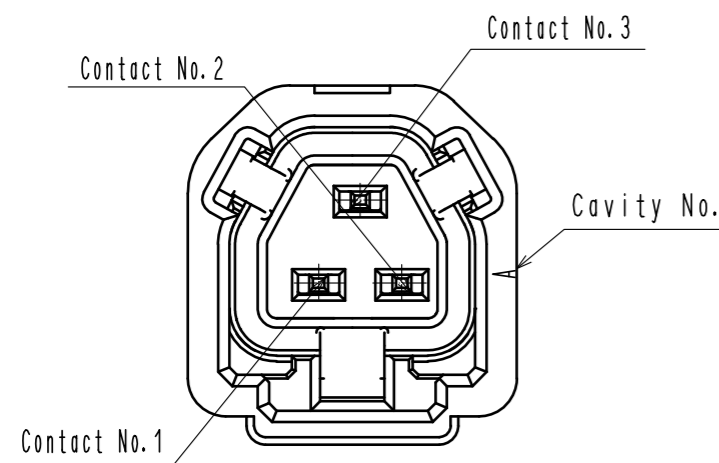
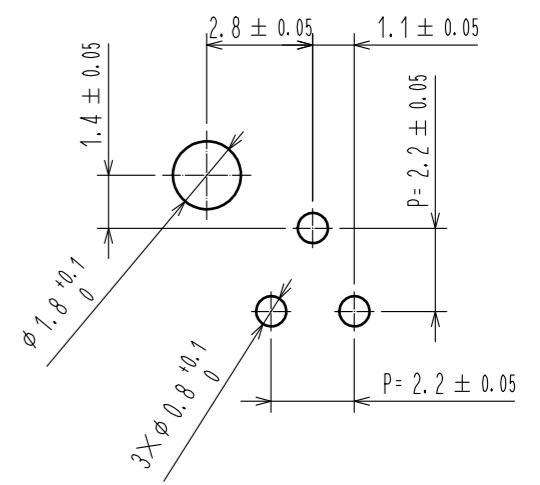


Jun.1.2024 Copyright 2024 HIROSE ELECTRIC CO., LTD. All Rights Reserved.
In case of consideration for using Automotive equipment / device which demand high reliability, kindly contact our sales window correspondents.



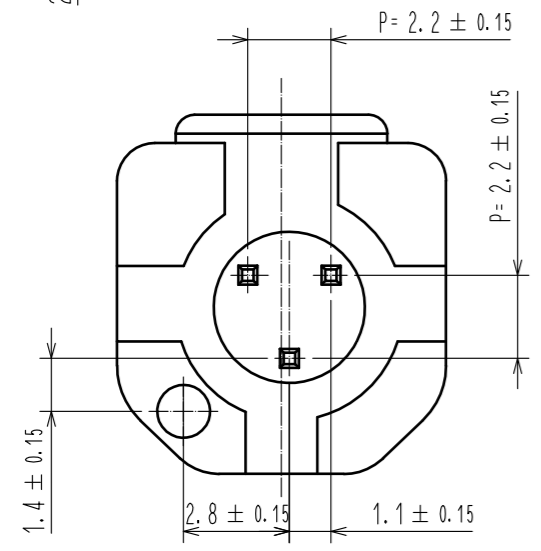
Recommended pattern (FREE)
(Recommended board thickness t=1.6mm)



- Note
1. Max 256 pieces / tray. Sales unit : 256 pieces.
 2. The dimension in parenthesis are for reference.
 3. Potting height : 5mm Max.
 4. UL(File No. E52653)
C-UL(File No. E52653)

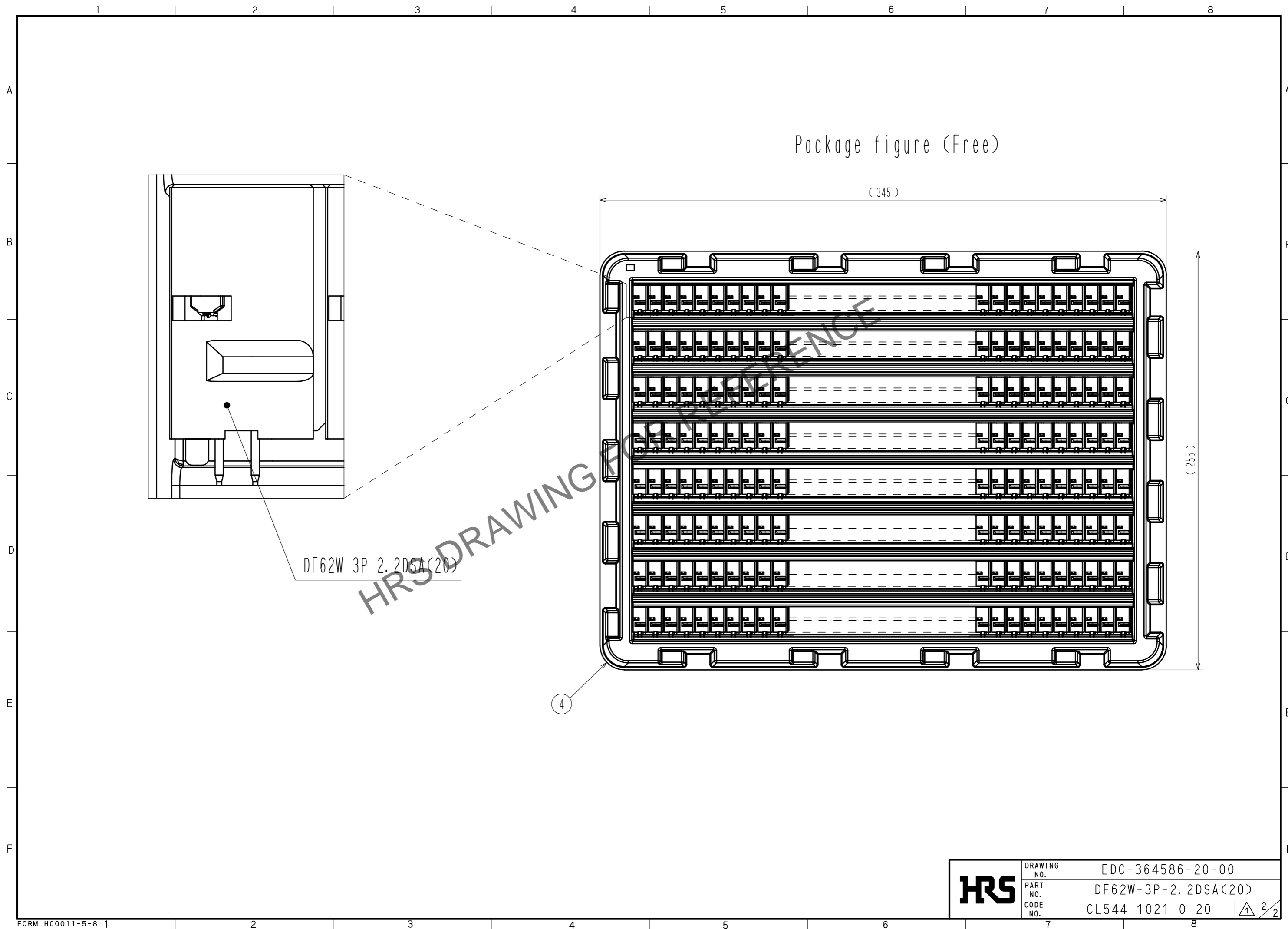


NO.	MATERIAL	FINISH . REMARKS
4	PS	Tray, White
3	Brass Δ	Surface plating : Tin 1 μ m min Under plating : Nickel 0.5 μ m min
2	Silicone rubber	Bengara
1	PBT-M	UL94V-0(Black)



UNITS	SCALE	COUNT	DESCRIPTION OF REVISIONS	DESIGNED	CHECKED	DATE
mm	5 : 1	1	DIS-H-00006316	HT. SATO	SZ. ONO	20200903
APPROVED : HS. OKAWA			20190910	DRAWING NO. EDC-364586-20-00		
CHECKED : SZ. ONO			20190910	PART NO. DF62W-3P-2.2DSA(20)		
DESIGNED : HT. SATO			20190910	CODE NO. CL544-1021-0-20		
DRAWN : HT. SATO			20190910	1/2		

Jun.1.2024 Copyright 2024 HIROSE ELECTRIC CO., LTD. All Rights Reserved.
In case of consideration for using Automotive equipment / device which demand high reliability, kindly contact our sales window correspondents.



HRS	DRAWING NO.	EDC-364586-20-00
	PART NO.	DF62W-3P-2.2DSA(20)
	CODE NO.	CL544-1021-0-20
		2/2